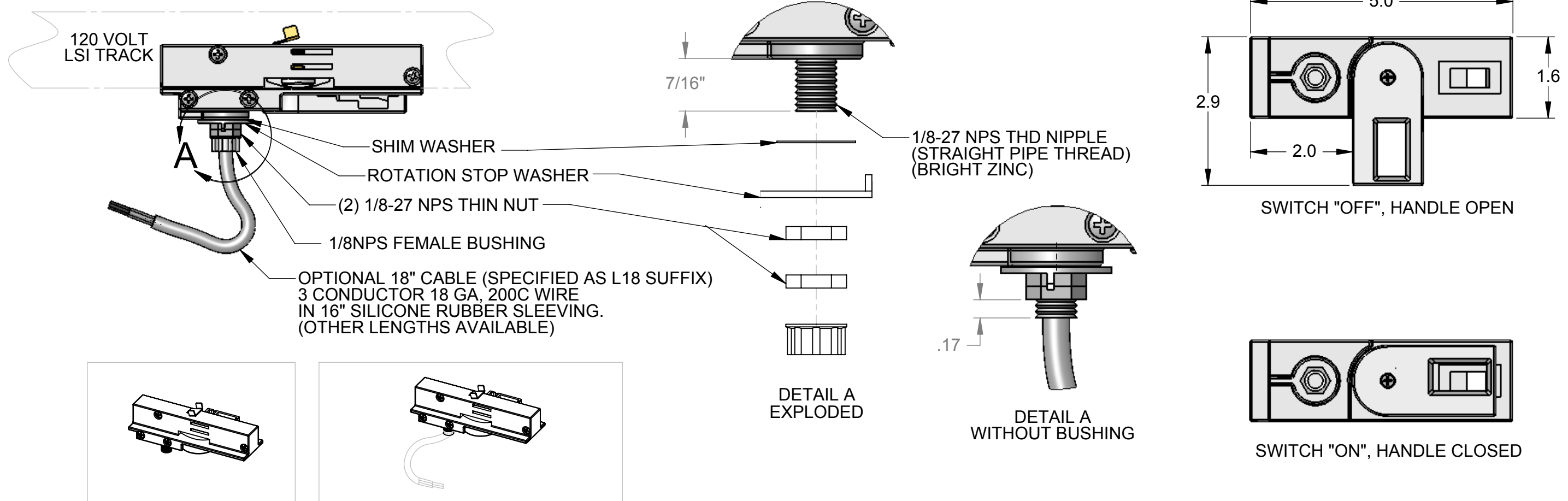




NOTES:

- FITTING WEIGHT LIMITS:  
 - WIRE HARNESS 3-LBS MAX  
 - MECHANICAL THROUGH NIPPLE (BY OTHERS) 15-LBS MAX CEILING MOUNTED  
 10-LBS MAX WALL MOUNTED  
 - OTHER LOADS CAN BE SUSPENDED USING ACCESSORY 30761 "DISPLAY HOOK"  
 OR 30762 "WEIGHT SUPPORT BAR"
- MAX VOLTAGE: 120V; MAX AMPERAGE: 5A; MAX TEMP: 80°C; MAX WATTAGE: 600W
- REQUIRED CRIMP TOOL FOR FITTING WITHOUT CABLE PART NO: NCS2-10511 (ORDERED SEPARATELY)
- TO BE INSTALLED PER NATIONAL ELECTRICAL CODE AND ALL LOCAL CODES AND REGULATIONS
- NOT TO BE USED AS A BRANCH CIRCUIT FROM LIGHTING TRACK

ECO	BY	REV.	DATE	APR	DESCRIPTION
1260	VG	~	8/26/08	JS	RELEASED



FITTING			FITTING WITH CABLE				COLOR		
PART NO.	COLOR	NIPPLE	PART NO.	COLOR	NIPPLE	CABLE	FITTING	HARDWARE	SLEEVING
00FIT-BA	BLACK	1/8"	00FIT-BAL18	BLACK	1/8"	18"	BLACK	BLACK	BLACK
00FIT-WA	WHITE	1/8"	00FIT-WAL18	WHITE	1/8"	18"	WHITE	BRIGHT ZINC	WHITE
00FIT-SA	SILVER	1/8"	00FIT-SAL18	SILVER	1/8"	18"	SILVER	BRIGHT ZINC	BLACK
00FIT-GA	GRAPHITE	1/8"	00FIT-GAL18	GRAPHITE	1/8"	18"	GRAPHITE	BLACK	BLACK

LIGHTING SERVICES INC

CONFIDENTIAL-PROPRIETARY INFORMATION. THE INFORMATION HEREIN IS PROTECTED UNDER COPYRIGHT AND IS OF A PROPRIETARY NATURE AND IS SUBMITTED IN CONFIDENCE FOR USE BY OUR CLIENTS ONLY. UNAUTHORIZED REPRODUCTION, PUBLICATION, DISTRIBUTION OR DISSEMINATION IN WHOLE OR PART, IS EXPRESSLY PROHIBITED. THE INFORMATION CONTAINED HEREIN IS AND REMAINS THE PROPERTY OF LIGHTING SERVICES INC AND AND RECEIPT OR POSSESSION OF THIS INFORMATION CONFERS NO RIGHT IN OR LICENSE TO DISCLOSE TO OTHERS THE SUBJECT MATTER CONTAINED HEREIN FOR ANY BUT AUTHORIZED PURPOSES. COPYRIGHT 2008 LIGHTING SERVICES INC. ALL RIGHTS RESERVED

USED ON  
LSI 120V TRACK

MADE FROM

Tolerances Fractions: ±1/64"  
 Decimals: .xx .01, .xxx .005  
 Angles: ±1°

	DATE	NAME
CHKD	5-20-08	JS
DRWN	5-20-08	VG

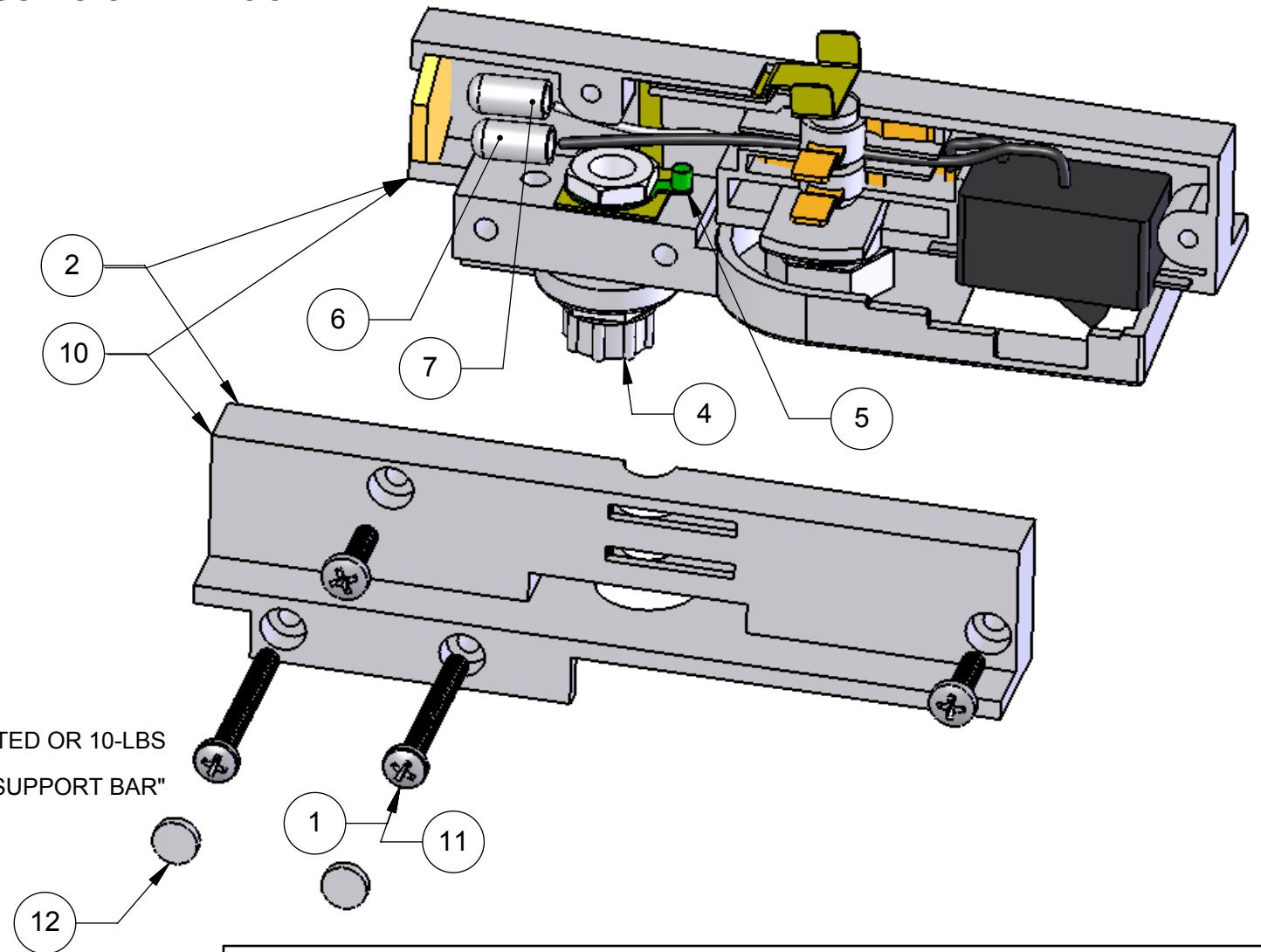
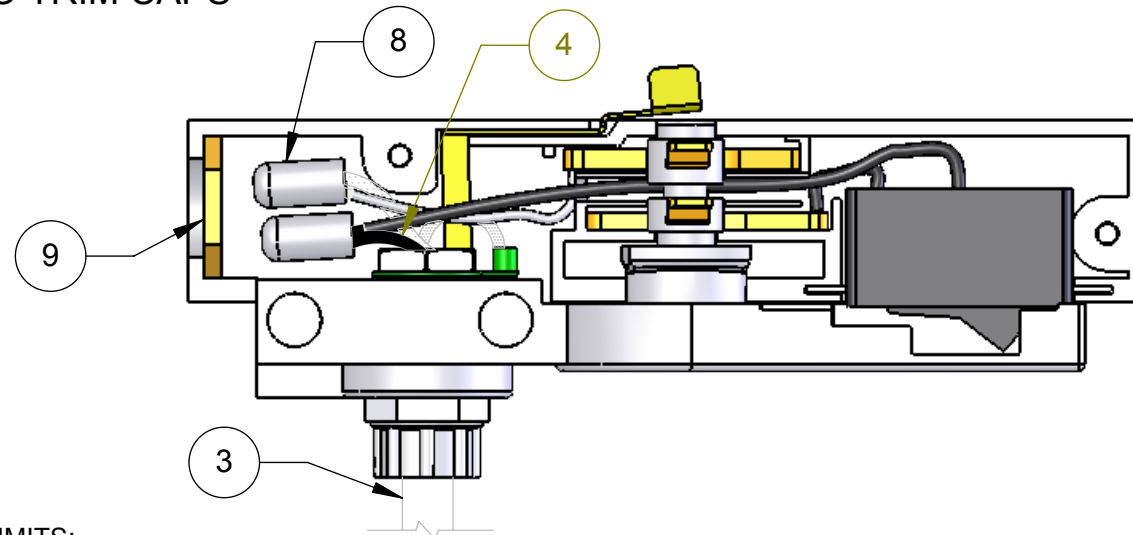
TITLE	SIZE	DWG NO	REV
00 FITTING MODULE FOR 120 VOLT LSI TRACK	B	00FIT	~
SCALE: 1 : 2	SHEET 1 OF 2		

LIGHTING SERVICES INC. 2 KAY FRIES DRIVE. STONY POINT, NY 10980-1996. TEL: 845-942-2800. FAX: 845-942-2177

INSTALLATION INSTRUCTIONS FOR FITTING WITHOUT CABLE:



1. REMOVE ALL FOUR SCREWS
2. SEPARATE LEFT (2) AND RIGHT (2) HOUSING (NOTE: THERE ARE 2 CRIMPS AND 2 CAPS LOOSE INSIDE OF FITTING FOR STEPS 6,7, & 12)
3. INSTALL INTENDED FIXTURE (BY OTHERS). DO NOT USE WITH ALUMINUM WIRE  
 STEP A) STRIP FIXTURE LEADS FIRST TO 3/4"      STEP B) TWIST ALL WIRES EVENLY AND TIGHTLY  
 STEP C) TRIM THE STRIPPED TWISTED WIRES TO 3/8" LONG
4. INSERT BLACK (HOT), WHITE (NEUTRAL), AND GREEN (GROUND) WIRE THROUGH BOTTOM OF NIPPLE AS SHOWN
5. INSERT GROUND INTO GROUND LUG CONTACT, THEN CRIMP
6. TWIST BOTH BLACK (HOT) WIRES CLOCKWISE, ATTACH CRIMP (INCLUDED), CRIMP USING CRIMP-TOOL: NCS2-10511 (ORDERED SEPARATELY)
7. TWIST BOTH WHITE (NEUTRAL) WIRES CLOCKWISE, ATTACH CRIMP, CRIMP USING CRIMP-TOOL.
8. CAREFULLY ALIGN WIRES WITHIN HOUSING WIRE AREA
9. PLACE COVER AT END OF FITTING TO COVER HOLE
10. JOIN BOTH HOUSINGS TOGETHER (MAKE SURE WIRES ARE NOT PINCHED)
11. INSERT ALL SCREWS, TIGHTEN AFTER ALL ARE IN FIRST FEW THREADS
12. INSTALL TWO TRIM CAPS



NOTES:

1. FITTING WEIGHT LIMITS:
  - WIRE HARNESS 3-LBS MAX
  - MECHANICAL THROUGH NIPPLE (YOKE OR OTHER MECHANICAL MEANS) 15-LBS MAX CEILING MOUNTED OR 10-LBS MAX WALL MOUNTED
  - OTHER LOADS CAN BE SUSPENDED USING ACCESSORY 30761 "DISPLAY HOOK" OR 30762 "WEIGHT SUPPORT BAR"
2. MAX VOLTAGE: 120V; MAX AMPERAGE: 5A; MAX TEMP: 80°C; MAX WATTAGE: 600W
3. REQUIRED CRIMP TOOL FOR FITTING WITHOUT CABLE PART NO: NCS2-10511
4. TO BE INSTALLED PER NATIONAL ELECTRICAL CODE AND ALL LOCAL CODES AND REGULATIONS
5. NOT TO BE USED AS A BRANCH CIRCUIT FROM LIGHTING TRACK



**LIGHTING SERVICES INC**

CONFIDENTIAL-PROPRIETARY INFORMATION. THE INFORMATION HEREIN IS PROTECTED UNDER COPYRIGHT AND IS OF A PROPRIETARY NATURE AND IS SUBMITTED IN CONFIDENCE FOR USE BY OUR CLIENTS ONLY. UNAUTHORIZED REPRODUCTION, PUBLICATION, DISTRIBUTION OR DISSEMINATION IN WHOLE OR PART, IS EXPRESSLY PROHIBITED. THE INFORMATION CONTAINED HEREIN IS AND REMAINS THE PROPERTY OF LIGHTING SERVICES INC AND RECEIPT OR POSSESSION OF THIS INFORMATION CONFERS NO RIGHT IN OR LICENSE TO DISCLOSE TO OTHERS THE SUBJECT MATTER CONTAINED HEREIN FOR ANY BUT AUTHORIZED PURPOSES. COPYRIGHT 2005 LIGHTING SERVICES INC. ALL RIGHTS RESERVED

**LIGHTING SERVICES INC. 2 KAY FRIES DRIVE. STONY POINT, NY 10980-1996. TEL: 845-942-2800. FAX: 845-942-2177**

USED ON  
**LSI 120V TRACK**

MADE FROM

Tolerances Fractions: ±1/64"  
Decimals: .xx .01, .xxx .005  
Angles: ±1°

TITLE

**00 FITTING MODULE  
FOR  
120 VOLT LSI TRACK**

	DATE	NAME
CHKD	5/20/08	JS
DRWN	5/20/08	VG

SIZE

**B**

DWG NO

SCALE: 1 : 1

00FIT

SHEET 2 OF 2

REV

~