

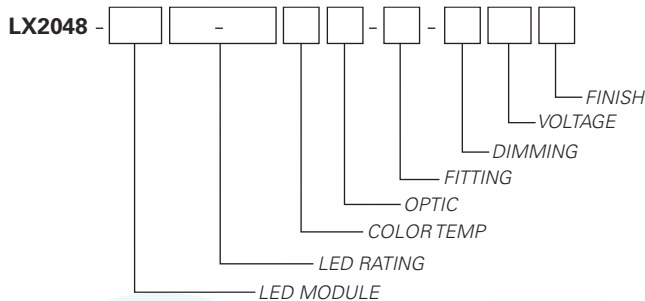
LX2048 • 120/277V • LED • XICATO 19MM**Elegant fixed downlight designed specifically for the most demanding architecture applications.**

- Designed for the most versatile Xicato XTM 19mm LED module up to 28 Watts
- Extremely tight color consistency (less than 2 MacAdam Ellipses)
- System efficiency up to 83 lumens/watt
- Backed by Xicato's Five Year Color Consistency and Lumen Maintenance Warranty
- 50,000 hour life to 70% lumen output, L70 at 95°F max ambient
- Choice of color temperature
- Color Rendering Index (CRI) of either 98 (high) or 83 (standard)
- Color Fidelity (R_f) 96 (high) or 78 (standard)
- Gamut Area Index (R_g) 103 (high) or 101 (standard)
- Choice of lumen outputs (delivered lumens)
- Tested to LM79 and LM80 Protocols, TM-30 available
- Hidden integral electronic driver compatible with various dimmers down to 5%
- Field interchangeable optics (15°- 60°) modify the beam spread distribution
- Integral black polycarbonate accessory cartridge accepts up to two size-AA LSI filters and accessories
- Integral dimmer available
- Finishes: LSI Black, White, and Silver
- Fixture weight: 3.5 lbs
- All modules are field replaceable
- Fixed center stem
- Maximum stem length is 48"

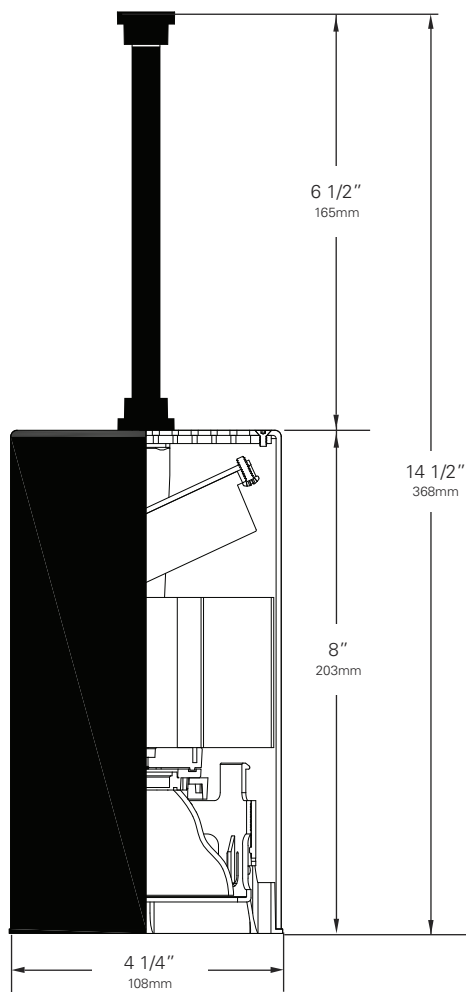
**FIXTURE PART NUMBERS**

Please review the **ORDERING INFORMATION** section on the next page as well as the **MOUNTING OPTIONS** on page 3 to create a part number for each fixture that specifies the following:

- LED Module
- LED Rating
- Color Temperature
- Optic (mm/beam spread)
- Fitting/Controls (Dimming)
- Voltage
- Finish

PART NUMBER

Example Part Number: **LX2048-T1920-9830M2-00-TE120W** is a fixture with a Xicato 19mm LED module, 2000 Lumen/98 CRI/28 Watt LED rating, 3000°K Color Temperature, 70mm 20° Optic, 00Track fitting with Trailing Edge group dimming capability, 120V and a White finish.

LX2048 • 120/277V • LED • XICATO 19MM**XTM 19MM ORDERING INFORMATION****Base Fixture Model**
 LX2048-T19 (XTM 19mm)
LED Rating (Lumens/CRI/Wattage)

| | |
|---|---|
| <input type="checkbox"/> 10-83 = 1000/83/11 | <input type="checkbox"/> 10-98 = 1000/98/12 |
| <input type="checkbox"/> 13-83 = 1300/83/14 | <input type="checkbox"/> 13-98 = 1300/98/17 |
| <input type="checkbox"/> 18-98 = 1800/98/23 | <input type="checkbox"/> 20-83 = 2000/83/21 |
| <input type="checkbox"/> 20-98 = 2000/98/28 | <input type="checkbox"/> 23-83 = 2300/83/23 |
| <input type="checkbox"/> 27-83 = 2700/83/27 | |

Color Temperature

| | |
|------------------------------------|------------------------------------|
| <input type="checkbox"/> 27= 2700K | <input type="checkbox"/> 30= 3000K |
| <input type="checkbox"/> 35= 3500K | <input type="checkbox"/> 40= 4000K |

Optic

WR* = 72mm/ 15° Field Reducer
 *Not for use with 2000 Lumens and up

| |
|--|
| <input type="checkbox"/> M2 = 70mm/ 20° |
| <input type="checkbox"/> M4 = 70mm/ 35° |
| <input type="checkbox"/> M6 = 70mm/ 60° |
| <input type="checkbox"/> M8 = 70mm/ 40° Wide Field Angle |
| <input type="checkbox"/> M9 = 70mm/ 20° Wide Field Angle |

Fitting/Controls (Dimming)

| |
|--|
| <input type="checkbox"/> 00-TE = Track Fitting & Trailing Edge (5%) |
| <input type="checkbox"/> 0E-ED = Track Fitting with Integral Dimmer (10%) |
| <input type="checkbox"/> EF-TE = Security/Worklight Track Fitting & Trailing Edge (5%) |
| <input type="checkbox"/> 5A-TE = Canopy Fitting & Trailing Edge (5%) |
| <input type="checkbox"/> 5A-ED = Canopy Fitting & Integral Dimmer (10%) |
| <input type="checkbox"/> 5A-10 = Canopy Fitting & 0-10V (10%) |

Voltage
 120 = 120V 230 = 220-240V 277 = 277V
Finish
 B = Black W = White S = Silver
Example Part Number:

LX2048-T19 **20-98** **30** **M2 - 00-TE** **120** **W**
FIXTURE MODEL LED RATING COLOR TEMP OPTIC FITTING/ DIMMING VOLTAGE FINISH

Other Options (Consult Factory):

- Custom Stems, specify length (4" - 48")
- Custom color, RAL palette

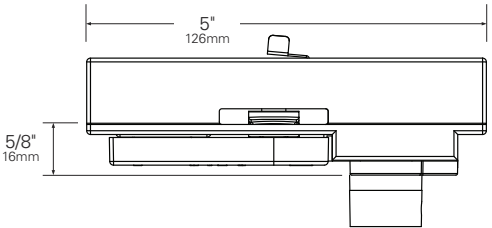
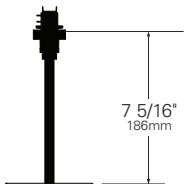
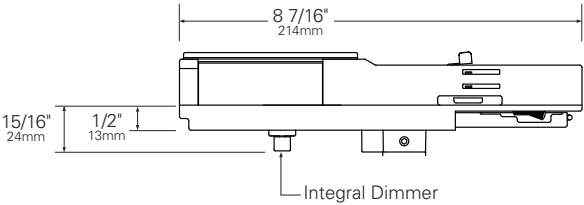
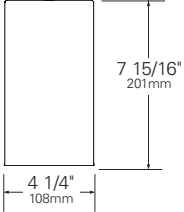
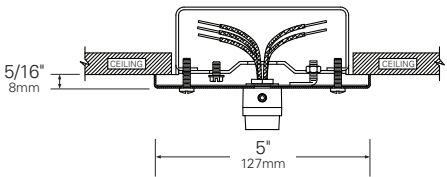
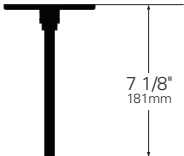
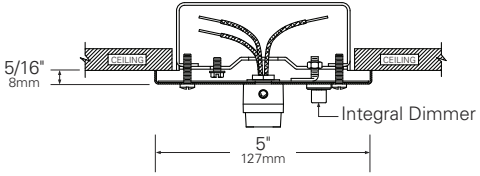
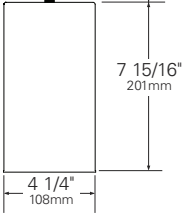
Color Temperature & Center Point Tolerance

| Color Temp | Center Point | Tolerance |
|------------|--------------|-----------|
| 2700K | 2700K | +/- 40K |
| 3000K | 2950K | +/- 50K |
| 3500K | 3420K | +/- 60K |
| 4000K | 4000K | +/- 70K |

Chromaticity Specifications

| LED | R _a -CRI | R _f -Fidelity | R _g -Gamut Area |
|--------------|---------------------|--------------------------|----------------------------|
| T19-TS9 - 83 | 83 | 78 | 101 |
| T19-TS9 - 98 | 98 | 96 | 103 |

LX2048 • MOUNTING OPTIONS

| FITTING | SIDE VIEW | STEM LENGTH VIEW |
|---|--|---|
| <p>00 Track Fitting/ EF Security/Worklight Fitting</p> |  |  |
| <p>0E-ED Track Fitting with Integral Dimmer</p> |  |  |
| <p>5A Canopy Fitting with TE and 0-10V Dimming</p> |  |  |
| <p>5A-ED Canopy Fitting with Integral Dimmer</p> |  |  |

LX2048 • PERFORMANCE

The performance characteristics of the LumeLEX family of products can be customized based on the LED module and the optic (reflector) selected.

Each available LED module is defined by four characteristics – the color rendering index (CRI), the correlated color temperature (CCT), the power that it uses (watts), and its “available lumens.” Note that available lumens is a theoretical value that represents the light output of the module on its own – no fixture or optic attached.

In the LSI part number, the LED module is specified with a number that immediately follow the product series number.

For example, in the part number LX2048-T1920-8327M2-CT3-DX120B, the “**T1920-8327**” represents an LED module with an output of 2000 lumens, a CRI of 83, a power usage of 21 watts and a color temperature of 2700K.

The available optics (reflectors) are characterized by size, beam angle, and in some cases the characteristics of the field angle (narrow or wide). The optic is specified by the two characters that follow the LED designation in the part number. For example, the “**M2**” in LX2048-T1920-8327M2-CT3-DX120B is a 70mm diameter optic that has a 20-Degree beam with a narrow field.

Additional parameters, such as Center Beam Candle Power (CBCP), Delivered Lumens, and Efficiency (Lumens per Watt) are all shown in a table that is organized by LED module and optic combination.

| CBCP = Center Beam Candle Power | | | | | | |
|---------------------------------|-------------------|-------|-------|-------|-------|-------|
| LED Module | Optic (Reflector) | | | | | |
| Lumens/CRI/Wattage | M2 | WR | M4 | M6 | M8 | M9 |
| 1000/83/11 | 3,270 | 2,490 | 2,180 | 980 | 1,480 | 3,000 |
| 1000/98/12 | 3,270 | 2,490 | 2,180 | 980 | 1,480 | 3,000 |
| 1300/83/14 | 4,251 | 3,237 | 2,834 | 1,274 | 1,924 | 3,900 |
| 1300/98/17 | 4,251 | 3,237 | 2,834 | 1,274 | 1,924 | 3,900 |
| 1800/98/23 | 5,886 | 4,482 | 3,924 | 1,764 | 2,664 | 5,400 |
| 2000/83/21 | 6,540 | 4,980 | 4,360 | 1,960 | 2,960 | 6,000 |
| 2000/98/28 | 6,540 | 4,980 | 4,360 | 1,960 | 2,960 | 6,000 |
| 2300/83/23 | 7,521 | 5,727 | 5,014 | 2,254 | 3,404 | 6,900 |
| 2700/83/27 | 8,829 | 6,723 | 5,886 | 2,646 | 3,996 | 8,100 |

| Delivered Lumens | | | | | | |
|--------------------|-------------------|-----|-------|-------|-------|-------|
| LED Module | Optic (Reflector) | | | | | |
| Lumens/CRI/Wattage | M2 | WR | M4 | M6 | M8 | M9 |
| 1000/83/11 | 390 | 220 | 580 | 720 | 830 | 830 |
| 1000/98/12 | 390 | 220 | 580 | 720 | 830 | 830 |
| 1300/83/14 | 507 | 286 | 754 | 936 | 1,079 | 1,079 |
| 1300/98/17 | 507 | 286 | 754 | 936 | 1,079 | 1,079 |
| 1800/98/23 | 702 | 396 | 1,044 | 1,296 | 1,494 | 1,494 |
| 2000/83/21 | 780 | 440 | 1,160 | 1,440 | 1,660 | 1,660 |
| 2000/98/28 | 780 | 440 | 1,160 | 1,440 | 1,660 | 1,660 |
| 2300/83/23 | 897 | 506 | 1,334 | 1,656 | 1,909 | 1,909 |
| 2700/83/27 | 1,053 | 594 | 1,566 | 1,944 | 2,241 | 2,241 |

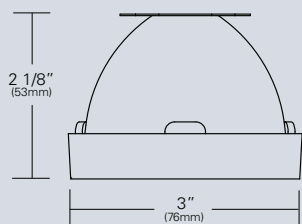
| Efficiency = Lumens Per Watt | | | | | | |
|------------------------------|-------------------|----|----|----|----|----|
| LED Module | Optic (Reflector) | | | | | |
| Lumens/CRI/Wattage | M2 | WR | M4 | M6 | M8 | M9 |
| 1000/83/11 | 35 | 20 | 53 | 65 | 75 | 75 |
| 1000/98/12 | 33 | 18 | 48 | 60 | 69 | 69 |
| 1300/83/14 | 36 | 20 | 54 | 67 | 77 | 77 |
| 1300/98/17 | 30 | 17 | 44 | 55 | 63 | 63 |
| 1800/98/23 | 31 | 17 | 45 | 56 | 65 | 65 |
| 2000/83/21 | 37 | 21 | 55 | 69 | 79 | 79 |
| 2000/98/28 | 28 | 16 | 41 | 51 | 59 | 59 |
| 2300/83/23 | 39 | 22 | 58 | 72 | 83 | 83 |
| 2700/83/27 | 39 | 22 | 58 | 72 | 83 | 83 |

Absolute range of values are +/- 10% of typical value, and are for all color temperatures

| LED Module Lumens/CRI/Wattage SKU Code | 1000/83/11 10-83 | 1000/98/12 10-98 | 1300/83/14 13-83 | 1300/98/17 13-98 | 1800/98/24 18-98 | 2000/83/21 20-83 | 2000/98/28 20-98 | 2300/83/23 23-83 | 2700/83/27 27-83 |
|--|---------------------|---------------------|---------------------|---------------------|---------------------|---------------------|---------------------|---------------------|---------------------|
| Nominal Fixture Power (+/- 20%), Watts | 11 | 12 | 14 | 17 | 24 | 21 | 28 | 23 | 27 |
| Maximum Inrush Current, Amps | 10 | 10 | 10 | 10 | 10 | 10 | 10 | 10 | 10 |
| Minimum Power Factor | 0.92 | 0.92 | 0.92 | 0.92 | 0.92 | 0.92 | 0.92 | 0.92 | 0.92 |

Inrush current is instantaneous current drawn by the LED only when fixture is initially powered on or instantaneously changed from full dim to full bright. For more details see Dimming Application Sheet, IS-0119.

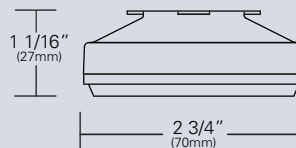
LX2048 • OPTICS



**LX-WRD-REF-CLR (WR)
(72mm/15°)**

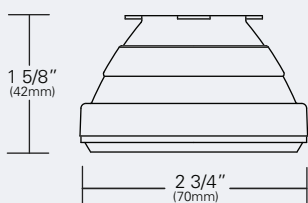
Field reducer. Proprietary field reducing baffle (black) with aluminized reflector. Tool-less, twist and lock installation. Aluminized finish.

*Not for use with 2000 Lumens and up



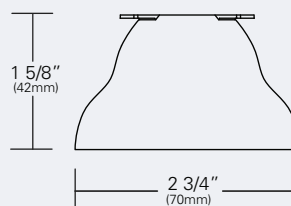
**LX-M40-REF-B (M4)
(70mm/35°)
(Narrow Field Angle)**

Computer designed polycarbonate specular optic. Tool-less, twist and lock installation. Black finish.



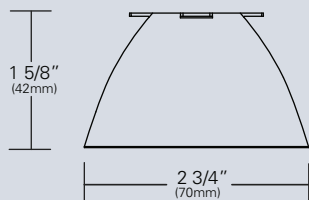
**LX-M20-REF-B (M2)
(70mm/20°)
(Narrow Field Angle)**

Computer designed polycarbonate lens. Tool-less, twist and lock installation. Black finish.



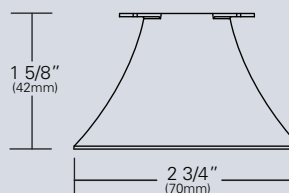
**LX-M80-REF-CLR (M8)
(70mm/40°)
(Wide Field Angle)**

Computer designed polycarbonate specular optic. Tool-less, twist and lock installation. Aluminized finish.



**LX-M90-REF-CLR (M9)
(70mm/20°)
(Wide Field Angle)**

Computer designed polycarbonate specular optic. Tool-less, twist and lock installation. Aluminized finish.



**LX-M60-REF-CLR (M6)
(70mm/60°)**

Computer designed polycarbonate specular optic. Tool-less, twist and lock installation. Aluminized finish.

LX2048 • PHOTOMETRIC DATA

LED RATING: 13-98

WR- 72mm DIA Optic
(FR: Field Reducer)
Beam Spread (minimum) **15°**
Center Beam Candlepower **3237**
CRI **98**

M2- 70mm DIA Optic
(NFA: Narrow Field Angle)
Beam Spread (minimum) **20°**
Center Beam Candlepower **4251**
CRI **98**

M4- 70mm DIA Optic
(NFA: Narrow Field Angle)
Beam Spread (minimum) **35°**
Center Beam Candlepower **2834**
CRI **98**

M6- 70mm DIA Optic
(NFA: Narrow Field Angle)
Beam Spread (minimum) **60°**
Center Beam Candlepower **1274**
CRI **98**

M8- 70mm DIA Optic
(WFA: Wide Field Angle)
Beam Spread (minimum) **40°**
Center Beam Candlepower **1924**
CRI **98**

M9- 70mm DIA Optic
(WFA: Wide Field Angle)
Beam Spread (minimum) **20°**
Center Beam Candlepower **3900**
CRI **98**

LED RATING: 20-83

WR- 72mm DIA Optic
(FR: Field Reducer)
Beam Spread (minimum) **15°**
Center Beam Candlepower **4980**
CRI **83**

M2- 70mm DIA Optic
(NFA: Narrow Field Angle)
Beam Spread (minimum) **20°**
Center Beam Candlepower **6540**
CRI **83**

M4- 70mm DIA Optic
(NFA: Narrow Field Angle)
Beam Spread (minimum) **35°**
Center Beam Candlepower **4360**
CRI **83**

M6- 70mm DIA Optic
(NFA: Narrow Field Angle)
Beam Spread (minimum) **60°**
Center Beam Candlepower **1960**
CRI **83**

M8- 70mm DIA Optic
(WFA: Wide Field Angle)
Beam Spread (minimum) **40°**
Center Beam Candlepower **2960**
CRI **83**

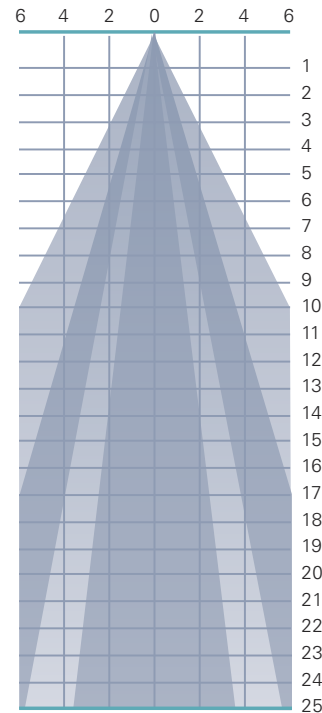
M9- 70mm DIA Optic
(WFA: Wide Field Angle)
Beam Spread (minimum) **20°**
Center Beam Candlepower **6000**
CRI **83**

LED RATING: 13-98

All Max. Footcandles at 0° Beam Axis

| | M6 (60°) NFA | M8 (40°) WFA | M4 (35°) NFA | M9 (20°) WFA | M2 (20°) NFA | WR (15°) FR |
|----|--------------------|--------------------|--------------------|--------------------|--------------------|-------------------|
| 1 | 1274 | 1924 | 2834 | 3900 | 4251 | 3237 |
| 2 | 319 | 481 | 709 | 975 | 1063 | 809 |
| 3 | 142 | 214 | 315 | 433 | 472 | 360 |
| 4 | 80 | 120 | 177 | 244 | 266 | 202 |
| 5 | 51 | 77 | 113 | 156 | 170 | 129 |
| 6 | 35 | 53 | 79 | 108 | 118 | 90 |
| 7 | 26 | 39 | 58 | 80 | 87 | 66 |
| 8 | 20 | 30 | 44 | 61 | 66 | 51 |
| 9 | 16 | 24 | 35 | 48 | 52 | 40 |
| 10 | 13 | 19 | 28 | 39 | 43 | 32 |
| 11 | 11 | 16 | 23 | 32 | 35 | 27 |
| 12 | 9 | 13 | 20 | 27 | 30 | 22 |
| 13 | 8 | 11 | 17 | 23 | 25 | 19 |
| 14 | 7 | 10 | 14 | 20 | 22 | 17 |
| 15 | 6 | 9 | 13 | 17 | 19 | 14 |
| 16 | 5 | 8 | 11 | 15 | 17 | 13 |
| 17 | 4 | 7 | 10 | 13 | 15 | 11 |
| 18 | 4 | 6 | 9 | 12 | 13 | 10 |
| 19 | 4 | 5 | 8 | 11 | 12 | 9 |
| 20 | 3 | 5 | 7 | 10 | 11 | 8 |
| 21 | 3 | 4 | 6 | 9 | 10 | 7 |
| 22 | 3 | 4 | 6 | 8 | 9 | 7 |
| 23 | 2 | 4 | 5 | 7 | 8 | 6 |
| 24 | 2 | 3 | 5 | 7 | 7 | 6 |
| 25 | 2 | 3 | 5 | 6 | 7 | 5 |

All Distances in Feet



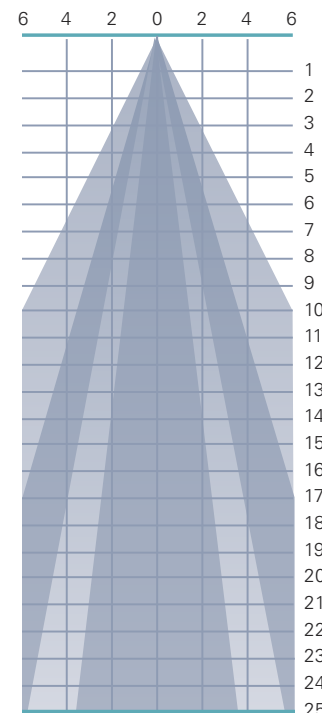
Photometric Data based on LED Rating: 13-98 (1300 Lumens/98CRI/17watts)
*WFA Optics not represented in graph

LED RATING: 20-83

All Max. Footcandles at 0° Beam Axis

| | M6 (60°) NFA | M8 (40°) WFA | M4 (35°) NFA | M9 (20°) WFA | M2 (20°) NFA | WR (15°) FR |
|----|--------------------|--------------------|--------------------|--------------------|--------------------|-------------------|
| 1 | 1960 | 2960 | 4360 | 6000 | 6540 | 4980 |
| 2 | 490 | 740 | 1090 | 1500 | 1635 | 1245 |
| 3 | 218 | 329 | 484 | 667 | 727 | 553 |
| 4 | 123 | 185 | 273 | 375 | 409 | 311 |
| 5 | 78 | 118 | 174 | 240 | 262 | 199 |
| 6 | 54 | 82 | 121 | 167 | 182 | 138 |
| 7 | 40 | 60 | 89 | 122 | 133 | 102 |
| 8 | 31 | 46 | 68 | 94 | 102 | 78 |
| 9 | 24 | 37 | 54 | 74 | 81 | 61 |
| 10 | 20 | 30 | 44 | 60 | 65 | 50 |
| 11 | 16 | 24 | 36 | 50 | 54 | 41 |
| 12 | 14 | 21 | 30 | 42 | 45 | 35 |
| 13 | 12 | 18 | 26 | 36 | 39 | 29 |
| 14 | 10 | 15 | 22 | 31 | 33 | 25 |
| 15 | 9 | 13 | 19 | 27 | 29 | 22 |
| 16 | 8 | 12 | 17 | 23 | 26 | 19 |
| 17 | 7 | 10 | 15 | 21 | 23 | 17 |
| 18 | 6 | 9 | 13 | 19 | 20 | 15 |
| 19 | 5 | 8 | 12 | 17 | 18 | 14 |
| 20 | 5 | 7 | 11 | 15 | 16 | 12 |
| 21 | 4 | 7 | 10 | 14 | 15 | 11 |
| 22 | 4 | 6 | 9 | 12 | 14 | 10 |
| 23 | 4 | 6 | 8 | 11 | 12 | 9 |
| 24 | 3 | 5 | 8 | 10 | 11 | 9 |
| 25 | 3 | 5 | 7 | 10 | 10 | 8 |

All Distances in Feet



Photometric Data based on LED Rating: 20-83 (2000 Lumens/83CRI/21watts)
*WFA Optics not represented in graph

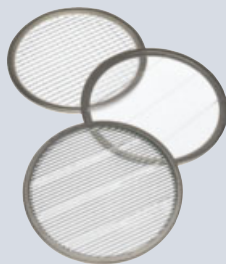
LX2048 • ENERGY STAR



Below are the LumeLEX 2048 fixture combinations that are Energy Star certified.

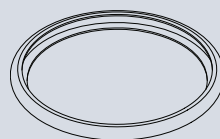
| LED Module | LED Rating Lumens/CRI/Wattage | Color Temp | Optic mm/angle | Fitting | Dimming |
|---|---|---|--|---|---|
| <input checked="" type="checkbox"/> T19 XTM (19mm) | <input checked="" type="checkbox"/> 18-98 1800/98/23 | <input checked="" type="checkbox"/> 27 2700K | <input checked="" type="checkbox"/> M6 70mm/60° | <input checked="" type="checkbox"/> 2G Universal Fitting | <input checked="" type="checkbox"/> ED Integral Dimmer (10%) (0E & 5A fitting only) |
| | <input checked="" type="checkbox"/> 23-83 2300/83/23 | <input checked="" type="checkbox"/> 30 3000K | <input checked="" type="checkbox"/> M8 70mm/40° WFA | <input checked="" type="checkbox"/> 3G Pipe Clamp | <input checked="" type="checkbox"/> 10 0-10V (10%) (5A fitting only) |
| | | <input checked="" type="checkbox"/> 35 3500K | <input checked="" type="checkbox"/> M9 70mm/20° WFA | <input checked="" type="checkbox"/> 5A LSI Canopy | |
| | | <input checked="" type="checkbox"/> 40 4000K | | <input checked="" type="checkbox"/> 0E LSI Track Fitting (ED Dimmer Only) | |
| | | | | <input checked="" type="checkbox"/> EF 00 Emergency Fitting | |

LX2048 • ACCESSORIES



SPREAD LENSES AND BEAM SOFTENER

| No. | Description | % of Light Transmission |
|-------|---------------------|-------------------------|
| AA990 | Spread Lens/Clear | 83 (5°X 50°) |
| AA992 | Spread Lens/Clear | 85 (5°X 30°) |
| AA995 | Spread Lens/Clear | 83 (50°X 50°) |
| AA996 | Spread Lens/Clear | 86 (45°X 50°) |
| AA998 | Beam Softener/Clear | 80 (45°X 45°) |



BACKER RING AAB

Aluminum ring to hold gel when no other size AA accessories are being used. Black finish.



1 LIGHT BLOCKING SCREENS AA

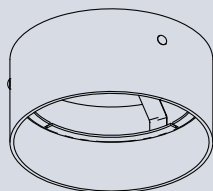
Stainless steel mesh screens used alone or in combinations will block from approximately 20% to 90% of the transmitted light without changing color temperature of the light.

| No. | % of Light Blocked |
|--------|--------------------|
| AA801S | 20 |
| AA802S | 30 |
| AA803S | 40 |



LOUVER HEX AAB

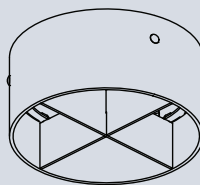
1/8" thick Hexcell black metal louver used for thin profile. Black finish.



HOOD-EXT-LX44-NXB-X

Cylindrical metal hood controls spill light and glare. Does not include cross baffle.

Specify finish as follows:
 HOOD-EXT-LX44-NXB-B (BLACK)
 HOOD-EXT-LX44-NXB-W (WHITE)
 HOOD-EXT-LX44-NXB-S (SILVER)



HOOD-EXT-LX44-WXB-X

Cylindrical metal hood controls spill light and glare. Includes cross baffle, cross baffle.

Specify finish as follows:
 HOOD-EXT-LX44-WXB-B (BLACK)
 HOOD-EXT-LX44-WXB-W (WHITE)
 HOOD-EXT-LX44-WXB-S (SILVER)

1. Figures vary based upon LED Module/Optic being used and relationship of screen(s) to LED Module/Optic and to each other.

LX2048 • GELS

As the foremost innovator in accent lighting, LSI offers a complete range of pre-cut Gels to modify the spread and color of light for the LumeLEX LED Series.



LumeLEX® SPREAD GELS

| Size: AA (76 mm diameter) | Spread Gel |
|------------------------------|------------------------|
| GEL-L1-AA | 1° Spread Gel |
| GEL-L5-AA | 5° Spread Gel |
| GEL-L10-AA | 10° Spread Gel |
| GEL-L20-AA | 20° Spread Gel |
| GEL-L30-AA | 30° Spread Gel |
| GEL-L40-AA | 40° Spread Gel |
| GEL-L60-AA | 60° Spread Gel |
| GEL-L80-AA | 80° Spread Gel |
| GEL-L30B5-AA | 30° by 5° Spread Gel |
| GEL-L40B2-AA | 40° by 0.2° Spread Gel |
| GEL-L60B1-AA | 60° by 1° Spread Gel |
| GEL-L60B10-AA | 60° by 10° Spread Gel |
| GEL-L75B45-AA | 75° by 45° Spread Gel |
| GEL-L90B60-AA | 90° by 60° Spread Gel |
| GEL-R101-AA | Beam Softener |

LumeLEX® COLOR GELS

| Size: AA (76 mm diameter) | Gel Color | % of Light Transmission | Size: AA (76 mm diameter) | Gel Color | % of Light Transmission |
|------------------------------|-------------------|----------------------------|------------------------------|---|----------------------------|
| GEL-R2-AA | Bastard Amber | 78 | GEL-R312-AA | Canary | 85 |
| GEL-R7-AA | Pale Yellow | 96 | GEL-R331-AA | Shell Pink | 68 |
| GEL-R12-AA | Straw | 88 | GEL-R383-AA | Sapphire Blue | 4 |
| GEL-R13-AA | Straw Tint | 78 | GEL-R397-AA | Pale Grey | 70 |
| GEL-R14-AA | Medium Straw | 68 | GEL-R2001-AA | Storaro Red | 12 |
| GEL-R21-AA | Golden Amber | 43 | GEL-R2004-AA | Storaro Green | 15 |
| GEL-R25-AA | Orange Red | 14 | GEL-R2009-AA | Storaro Violet | 3 |
| GEL-R26-AA | Light Red | 12 | GEL-R3202-AA | Full Blue | 36 |
| GEL-R27-AA | Medium Red | 4 | GEL-R3204-AA | Half Blue | 52 |
| GEL-R57-AA | Lavender | 24 | GEL-R3206-AA | Third Blue | 64 |
| GEL-R62-AA | Booster Blue | 54 | GEL-R3216-AA | Eighth Blue (Boosts 3200K to 3300K) | 81 |
| GEL-R71-AA | Sea Blue | 30 | GEL-R3318-AA | Tough 1/8 Minusgreen | 89 |
| GEL-R72-AA | Azure Blue | 44 | GEL-R3410-AA | Roscocosun (1/8 CTO) (Reduces 5500K to 4900K) | 92 |
| GEL-R91-AA | Primary Green | 7 | GEL-R3441-AA | Full Straw (CTS) | 50 |
| GEL-R97-AA | Light Grey | 50 | GEL-R3443-AA | Quarter Straw (CTS) | 81 |
| GEL-R98-AA | Medium Grey | 25 | GEL-R4330-AA | CalColor 30 Cyan | 63 |
| GEL-R101-AA | Light Frost | N/A | GEL-R4415-AA | CalColor 15 Green | 67 |
| GEL-R104-AA | Tough Silk | N/A | GEL-R4490-AA | CalColor 90 Green | 25 |
| GEL-R119-AA | Lt. Hamburg Frost | N/A | GEL-R4860-AA | CalColor 60 Pink | 46 |
| GEL-R121-AA | Blue Diffusion | N/A | GEL-R4890-AA | CalColor 90 Pink | 38 |
| GEL-R305-AA | Rose Gold | 75 | GEL-R4930-AA | CalColor 30 Lavender | 47 |

* Backer Ring AAB required to hold gels when no other rimmed "AA" accessories are used.

| LSI ROSCO GEL CCT CONVERSION CHART FROM 3000K | | | |
|---|---------|--------------------|---------------|
| Type | ROSCO # | ROSCO Description | Resulting CCT |
| Amber Filters Lower CCT | 3420 | Double CTO | 1531 |
| | 3407 | Sun CTO | 1999 |
| | 3401 | Sun 85 | 2154 |
| | 3411 | Sun 3/4 CTO | 2154 |
| | 3408 | Sun 1/2 CTO | 2414 |
| | 3409 | Sun 1/4 CTO | 2664 |
| | 3410 | Sun 1/8 CTO | 2830 |
| | 3114 | UV Filter | 2930 |
| Blue Filters Raise CCT | 3220 | Double Blue | N/A |
| | 3202 | Full Blue | 4942 |
| | 3203 | Three-Quarter Blue | 4286 |
| | 3204 | Half Blue | 3769 |
| | 3206 | Third Blue | 3517 |
| | 3208 | Quarter Blue | 3297 |
| | 3216 | Eighth Blue | 3112 |

COLOR MEDIA

COLOR FILTERS

As the foremost innovator in accent lighting, LSI offers a complete range of permanent fade-free glass color filters, which are available in nine stock diameters. All glass color filters are rimmed in a seamless aluminum ring and are slotted for heat expansion.



| Size | Diameter | LSI Fixture Series | No. | Color | % of Light Transmission |
|------|----------|--|-----|------------------|-------------------------|
| AAA | 2 3/8" | LumeLEX® 2020/2030/2031/2038, SSLCX16, SSL260, LumeLEX MAR-S | 902 | Medium Pink | 36 |
| | | | 903 | Deep Pink | 37 |
| | | | 904 | Flesh Pink | 73 |
| ZM | 2 13/16" | LZ ZOOM | 906 | Pale Lavender | 14 |
| | | | 907 | Surprise Pink | 19 |
| AA | 3" | LumeLEX® 2044, LumeLEX 2048 | 908 | Lilac | 21 |
| | | | 910 | Warm Red | 10 |
| A | 3 1/2" | LumeLEX® 2060, SSL230, SSLCX30, SSLGR30CL | 911 | Strawberry | 6 |
| | | | 912 | Ruby | 4 |
| B | 4 1/4" | LumeLEX® MAR-L | 913 | Magenta | 1 |
| | | | 914 | Light Amethyst | 25 |
| | | | 915 | Medium Amethyst | 16 |
| C | 4 3/4" | 290, LumeLEX® 2084, LumeLEX® 2088, SSL238, SSLCX36, SSLCX38, SSLGR38CL | 916 | Deep Amethyst | 4 |
| | | | 917 | Olive | 18 |
| | | | 918 | Light Green | 68 |
| | | | 920 | Medium Green | 25 |
| | | | 921 | Deep Green | 7 |
| | | | 922 | Silver green | 65 |
| | | | 923 | Yellow Green | 49 |
| | | | 924 | Emerald Green | 12 |
| | | | 925 | Light Turquoise | 68 |
| | | | 926 | Medium Turquoise | 40 |
| | | | 927 | Deep Turquoise | 17 |
| | | | 928 | Light Blue | 34 |
| | | | 930 | Medium Blue | 3 |
| | | | 932 | Daylight | 59 |
| | | | 933 | Gene Moore Blue | 18 |
| | | | 936 | Grey | 56 |
| | | | 937 | Light Blue Green | 17 |
| | | | 939 | Light Amber | 68 |
| | | | 940 | Medium Amber | 48 |
| | | | 941 | Deep Amber | 43 |
| | | | 942 | Straw | 78 |
| | | | 943 | Gold | 87 |
| | | | 944 | Canary Yellow | 84 |
| | | | 945 | Lemon | 81 |
| | | | 946 | Pumpkin | 32 |
| | | | 947 | Tangerine | 20 |
| | | | 948 | Orange | 23 |
| | | | 949 | Pink Gold | 54 |
| | | | 950 | Bronze | 48 |
| | | | 951 | Brass | 11 |
| | | | 952 | Autumn Tan | 11 |
| | | | 953 | Leaf Brown | 19 |
| | | | 954 | Butter Pecan | 3 |
| | | | 955 | Toasted Almond | 1 |

Notes:

1. Values given are approximate due to slight variations in glass color and thickness.

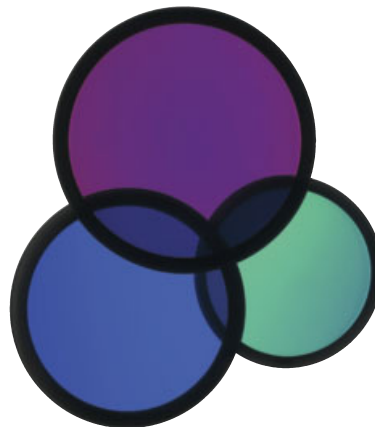
COLOR MEDIA

DICHROIC COLOR FILTERS

In addition to our complete line of glass color filters, LSI now offers dichroic glass color filters that achieve purer, more saturated, richer color by selective wavelength transmission. Since these filters reflect rather than absorb the unwanted color wavelengths, a higher intensity of colored light can be obtained with fewer or lower wattage fixtures. In addition, this selective transmission allows for very accurate color matching from filter to filter.

All standard LSI filter sizes are available in a wide palette of well chosen dichroic colors that can be used with all LSI fixtures that accept accessories.

LSI dichroic glass color filters have the added benefit of being rimmed for extra durability to allow for frequent usage without fear of breakage or edge chipping.



| Size | Diameter | LSI Fixture Series | Technical Data | No. | Color | % of Light Transmission |
|------|----------|---|--|------|--------------------|-------------------------|
| AAA | 2 3/8" | LumeLEX® 2020/2030/2031/2038, SSLCX16, SSL260, LumeLEX MAR-S | Dichroic color filters are created in a vacuum chamber by multi-layer vapor deposits of different minerals onto low expansion, chemically resistant Borosilicate glass. | 2001 | Light Pink | 69 |
| ZM | 2 13/16" | LZ ZOOM | Deposits are made in alternating layers of varying microscopic thickness which allow very narrow color wavelengths to be selectively transmitted and all other wavelengths to be reflected. | 2002 | Medium Pink | 43 |
| AA | 3" | LumeLEX® 2044, LumeLEX 2048 | LSI does not recommend using dichroic color filters with lamps or fixtures that have beam spreads greater than 40° because a secondary color aura is created by the wide angular transmitted wavelengths that are different than the desired color wavelength. | 2003 | Hot Pink | 11 |
| A | 3 1/2" | LumeLEX® 2060, SSL230, SSLCX30, SSLGR30CL | Since there is mainly transmission and reflection of the color wavelengths by the dichroic filter and very little absorption, the dichroic filter can be used with many high temperature lights that normally would not accept color filters. | 2004 | Pale Pink | 55 |
| B | 4 1/4" | LumeLEX® MAR-L | | 2010 | Deep Magenta | 29 |
| C | 4 3/4" | 290, LumeLEX® 2084, LumeLEX® 2088, SSL238, SSLCX36, SSLCX38, SSLGR38CL | | 2011 | Lavender | 24 |
| | | | | 2012 | Vivid Magenta | 31 |
| | | | | 2013 | Lavender Accent | 48 |
| | | | | 2014 | Lilac | 37 |
| | | | | 2015 | Purple Fusion | 12 |
| | | | | 2020 | Sky Blue | 39 |
| | | | | 2021 | Sea Blue | 39 |
| | | | | 2022 | Cyan | 33 |
| | | | | 2023 | Light Blue Green | 30 |
| | | | | 2024 | Primary Blue | 24 |
| | | | | 2025 | Medium Red Blue | 15 |
| | | | | 2026 | Deep Purple | 16 |
| | | | | 2027 | Peacock Blue | 53 |
| | | | | 2028 | Mediterranean Blue | 20 |
| | | | | 2029 | Boost Blue | 51 |
| | | | | 2040 | Light Yellow Green | 64 |
| | | | | 2041 | Fern Green | 47 |
| | | | | 2042 | Turquoise | 35 |
| | | | | 2043 | Primary Green | 31 |
| | | | | 2044 | Industrial Green | 64 |
| | | | | 2050 | Yellow | 80 |
| | | | | 2051 | Amber | 71 |
| | | | | 2052 | Amber Blush | 38 |
| | | | | 2053 | Bastard Amber | 71 |
| | | | | 2054 | Goldenrod | 63 |
| | | | | 2055 | Bright Straw | 56 |
| | | | | 2060 | Medium Orange | 51 |
| | | | | 2061 | Orange | 44 |
| | | | | 2070 | Flame Red | 27 |
| | | | | 2071 | Primary Red | 25 |