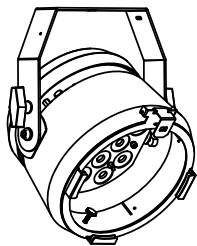


# UV94 SERIES (GEN2.5) LED BLACKLIGHT



UV94

## PRODUCT OVERVIEW:

THE UV SERIES IS AN LED BLACKLIGHT THAT CAN PRODUCE A SUPER SPOT TO A WIDE FLOOD OF ULTRAVIOLET LIGHT AT 1/5th THE POWER OF CONVENTIONAL BLACK LIGHTS. THE LUMINAIRES USE HIGH EFFICIENCY UV LEDs TO DELIVER HIGH OUTPUTS OF ULTRAVIOLET ENERGY TUNED TO NARROW 365nm PEAK WAVELENGTH. THE ABSENCE OF VISIBLE LIGHT IS ACHIEVED WITHOUT THE USE OF A SPECIAL FILTER. THE LEDs HAVE A LIFETIME 10,000 HOURS AT L90 (90% OF INITIAL OUTPUT).

## TABLE OF CONTENTS:

PAGE 2: INSTALLING THE FIXTURE FITTING

PAGE 3: INSTALLING OR REMOVING ACCESSORY HOLDER

PAGE 4: INSTALLING OR REMOVING BARN DOOR AND HOOD

PAGE 5 AND 6: OPTIONAL DMX CONTROLS



TO PREVENT RISK OF SHOCK, TURN OFF ELECTRICITY PRIOR TO INSTALLATION OR MAINTENANCE



TO PREVENT RISK OF FIRE, KEEP AWAY FROM COMBUSTIBLE MATERIALS

## IMPORTANT SAFETY INFORMATION

THIS PRODUCT MUST BE INSTALLED IN ACCORDANCE WITH NATIONAL ELECTRICAL CODES AND ALL OTHER LOCAL CODES BY A PERSON FAMILIAR WITH THE CONSTRUCTION AND OPERATION OF THE PRODUCT AND THE HAZARDS INVOLVED.

- SEE THE FIXTURE LABEL FOR VOLTAGE AND WATTAGE INPUT.
- PLEASE CONSULT OUR PRODUCT CATALOG OR WEBSITE FOR AVAILABLE ACCESSORIES.
- WE RECOMMEND THE REFLECTOR AND ANY ACCESSORIES ARE INSTALLED BEFORE FIXTURE INSTALLATION.
- PRIOR TO PERFORMING MAINTENANCE, TURN OFF AND DISCONNECT THE POWER TO THE FIXTURE AND ALLOW THE FIXTURE TO COOL OFF
- DO NOT LOOK DIRECTLY AT THE LIT LED

## SAVE THESE INSTRUCTIONS

**CONFIDENTIAL-PROPRIETARY INFORMATION** - THE INFORMATION HEREIN IS PROTECTED UNDER COPYRIGHT AND IS OF A PROPRIETARY NATURE AND IS SUBMITTED IN CONFIDENCE FOR USE BY OUR CLIENTS ONLY. UNAUTHORIZED REPRODUCTION, PUBLICATION, DISTRIBUTION OR DISSEMINATION IN WHOLE OR PART, IS EXPRESSLY PROHIBITED. THE INFORMATION CONTAINED HEREIN IS AND REMAINS THE PROPERTY OF LIGHTING SERVICES INC. AND RECEIPT OR POSSESSION OF THIS INFORMATION CONFERS NO RIGHT IN OR LICENSE TO DISCLOSE TO OTHERS THE SUBJECT MATTER CONTAINED HEREIN FOR ANY BUT AUTHORIZED PURPOSES. COPYRIGHT LIGHTING SERVICES INC. ALL RIGHTS RESERVED



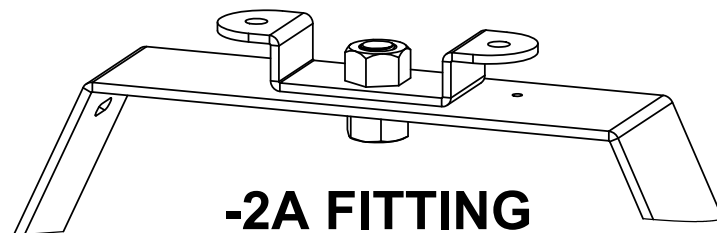
LIGHTING SERVICES INC 2 HOLT DRIVE STONY POINT, NY 10980-1996 TEL: 845-942-2800 [www.LightingServicesInc.com](http://www.LightingServicesInc.com)

# UV94 SERIES (GEN2.5) LED BLACKLIGHT

## 1. INSTALLING THE FIXTURE FITTING

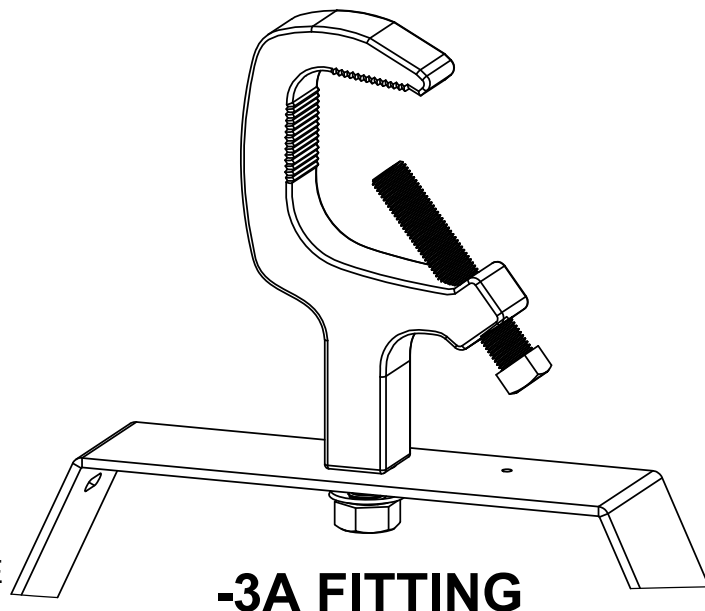
### **-2A FITTING**

SECURE -2A FITTING TO ANY NON-COMBUSTIBLE MATERIAL USING 2-HOLE FLANGED MOUNTING PLATE WITH 2 SCREWS (SUPPLIED BY OTHERS) OR BOLT UP APPLICATIONS, SUCH AS UNISTRUT OR KINDORF SYSTEMS.



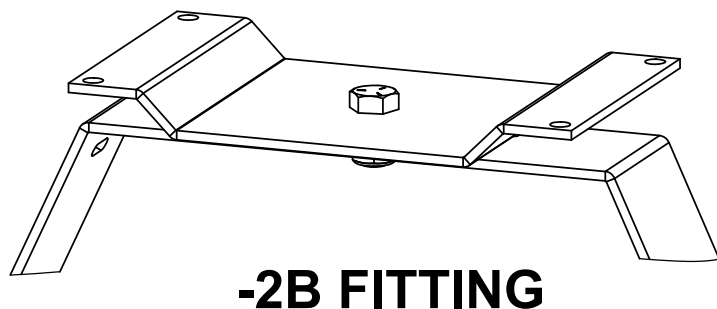
### **-3A FITTING**

SECURE -3A FITTING TO A NON-COMBUSTIBLE PIPE MEASURING  $\phi 1 \frac{5}{16}$ " TO  $\phi 2 \frac{3}{8}$ ", AND THEN SECURE THE FITTING BY TIGHTENING C-CLAMP BOLT.



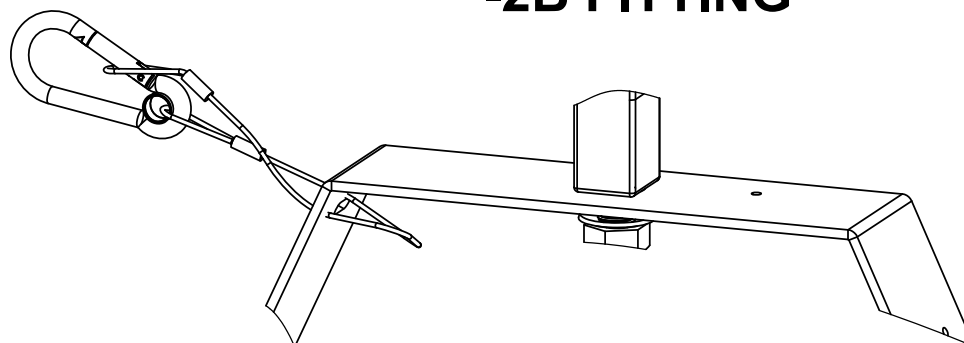
### **-2B FITTING**

SECURE -2B FITTING TO A NON-COMBUSTIBLE MATERIAL USING 4-HOLE FLANGED MOUNTING PLATE WITH 4 SCREWS (SUPPLIED BY OTHERS).



### **SAFETY CABLE**

INSTALL SAFETY CABLE THROUGH HOLE IN YOKE AND AROUND A MAJOR SUPPORTING STRUCTURE AND ATTACH TWO LOOPS IN CABLE TOGETHER USING SUPPLIED CARABINER CLIP.



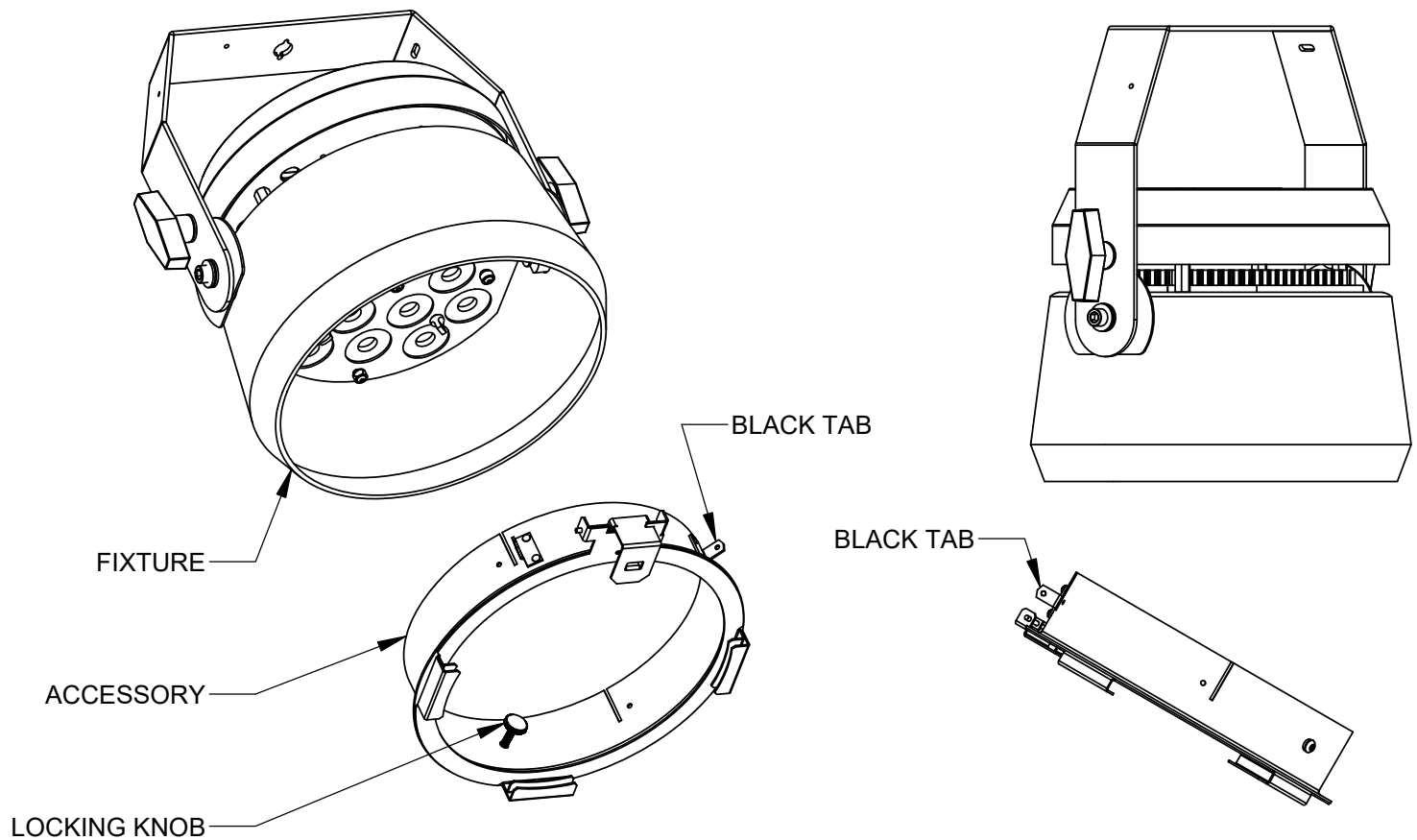
# UV94 SERIES (GEN 2.5) LED BLACKLIGHT

## 2. INSTALLING OR REMOVING ACCESSORY HOLDER

**TO INSTALL** INSERT ACCESSORY HOLDER INTO FRONT OF FIXTURE. ANGLE ACCESSORY HOLDER TOWARD FIXTURE WHEN INSERTING TO ALLOW BLACK TABS ON ACCESSORY HOLDER TO CLEAR OPENING OF FIXTURE. ONCE TABS CLEAR OPENING, ROTATE ACCESSORY HOLDER TOWARD FIXTURE TO SEAT IT, MAKING SURE ACCESSORY HOLDER FLANGE SITS FLUSH WITH FRONT EDGE OF FIXTURE HOUSING. ROTATE ACCESSORY HOLDER TO ACHIEVE DESIRED ORIENTATION.

LOCATE LOCKING KNOB ON INSIDE OF ACCESSORY HOLDER (OPPOSITE FROM TABS). TURN KNOB CLOCKWISE UNTIL TIGHT. TEST THAT ACCESSORY HOLDER IS FULLY SEATED AND DOES NOT MOVE. IF NOT FULLY SEATED, LOOSEN LOCKING KNOB FULLY, REMOVE ACCESSORY AND REINSTALL.

**TO REMOVE** ACCESSORY HOLDER. LOCATE LOCKING KNOB AND TURN COUNTER-CLOCKWISE, UNTIL FULLY LOOSENED. ROTATE LOCKING KNOB SIDE OF ACCESSORY HOLDER OUTWARD FROM FIXTURE, AND LIFT OUT FROM FIXTURE.



# UV94 SERIES (GEN 2.5) LED BLACKLIGHT

## 3. INSTALLING OR REMOVING BARN DOOR AND HOOD

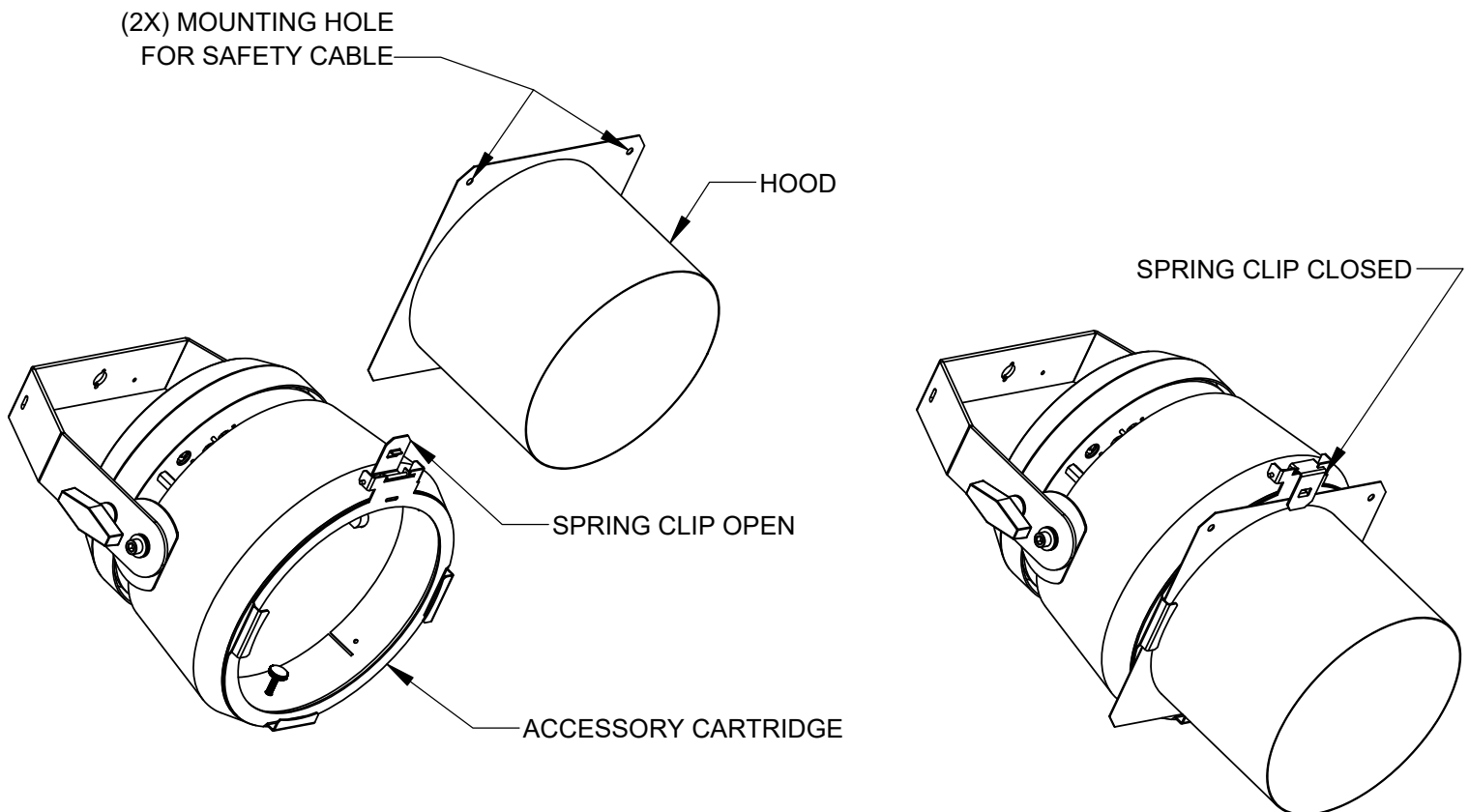
**TO INSTALL** OPEN RETAINING CLIP BY SLIDING TO LEFT AND ROTATING UP AND AWAY FROM FIXTURE.

SLIDE ACCESSORY INTO HOLDER.

SLIDE RETAINING CLIP TO LEFT AND ROTATE DOWN TOWARDS FIXTURE TO LOCK RETAINING CLIP.

ACCESSORIES HAVE A MOUNTING HOLE FOR A SAFETY CABLE. INSTALL SAFETY CABLE THROUGH HOLE IN ACCESSORY AND AROUND A MAJOR SUPPORTING STRUCTURE. ATTACH TWO LOOPS IN CABLE TOGETHER USING SUPPLIED CARABINER CLIP.

**TO REMOVE** ACCESSORY HOLDER, LOCATE LOCKING KNOB AND TURN COUNTER-CLOCKWISE, UNTIL FULLY LOOSENED. ROTATE LOCKING KNOB SIDE OF ACCESSORY HOLDER OUTWARD FROM THE FIXTURE, AND LIFT OUT FROM FIXTURE.



# UV94 SERIES (GEN 2.5)

## LED BLACKLIGHT

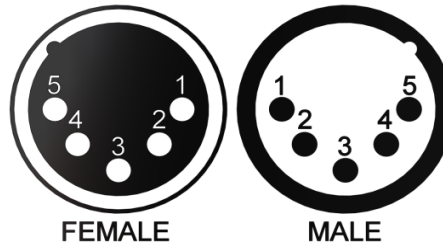
### 4. OPTIONAL DMX CONTROLS

FIXTURES CAN BE SET TO 2 DIFFERENT MODES, DMX MODE AND STANDALONE MODE

#### DMX MODE:

- THE FIXTURE IS CONTROLLED BY DATA IT RECIEVES ON 5 PIN XLR CONNECTORS. WHEN DMX SIGNAL IS NOT PRESENT LIGHT OUTPUT WILL DEFAULT TO 100%.
- TWO DMX UNIVERSES CAN BE PASSED THRU XLR CONNECTORS BUT FIXTURE WILL ONLY LISTEN TO DATA ON PINS 2/3.

| PIN | DESCRIPTION     |
|-----|-----------------|
| 1   | COMMON (SHIELD) |
| 2   | DATA -          |
| 3   | DATA +          |
| 4   | PASS THRU       |
| 5   | PASS THRU       |



### XLR 5 PIN LAYOUT

- 1 DMX CHANNEL IS USED FOR 8 BIT DIMMING. THE MICROPROCESSOR CONTROLLER CONVERTS DATA TO 10 BIT DIMMING BY A SMOOTHING ALGORITHM. DIMMING CURVE IS LINEAR.
- DMX ADDRESS IS SET BY A 3 DIGIT PUSH BUTTON. NUMBERS 001-512 WILL SET DMX ADDRESS.



### DMX ADDRESS, 3 DIGIT PUSH BUTTON

#### STANDALONE MODE:

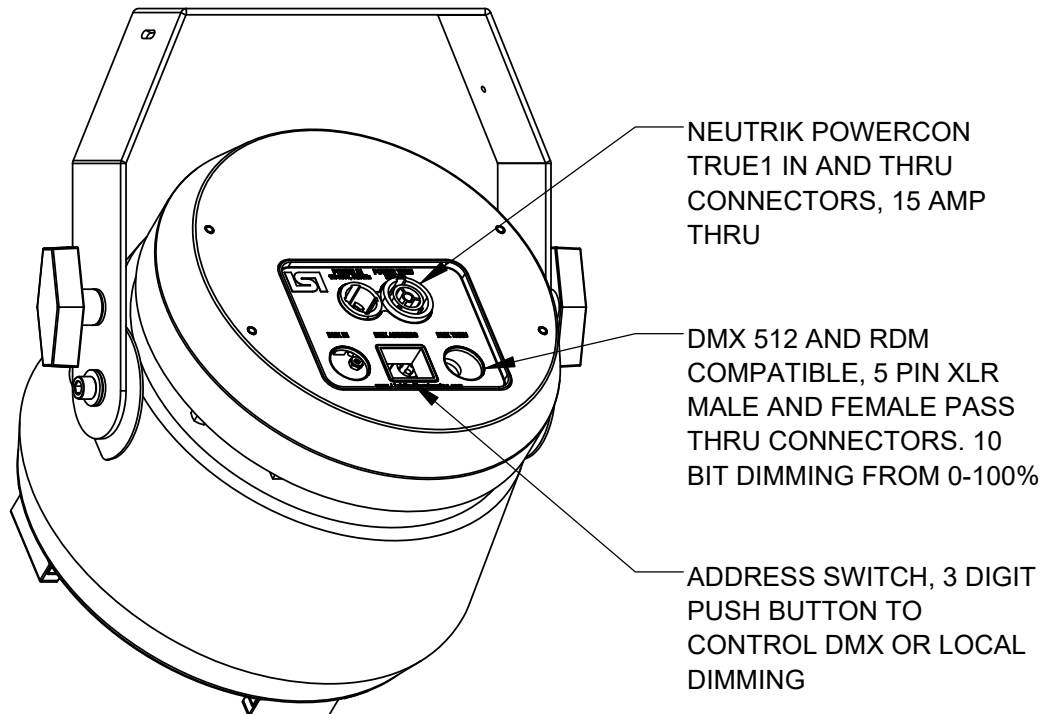
- IN STANDALONE MODE THE FIXTURE CAN BE CONTROLLED DIRECTLY FROM THE 3 DIGIT PUSH BUTTON WITHOUT THE NEED OF A DMX CONTROL DEVICE
- FIXTURE IS CONTROLLED FROM 0-100% INTENSITY BY SETTING THE 3 DIGIT PUSH BUTTON FROM 900-999. 900 BEING 0% (OFF) AND 999 BEING 100% (FULL ON).

# UV94 SERIES (GEN 2.5) LED BLACKLIGHT

---

## 5. OPTIONAL DMX CONTROLS (CONTINUED)

### LOCATION OF DMX AND POWER INPUTS AND CONTROLS



**UV94**