

LZ INSTALLATION INSTRUCTIONS

Important THIS SHEET CONTAINS IMPORTANT SAFETY INSTRUCTIONS. SAVE THESE INSTRUCTIONS.

Warning This product must be installed in accordance with National Electrical Codes and all other local codes by a person familiar with the construction and operation of the product and the hazards involved.

To prevent electrical shock, turn off the power during installation or maintenance.

To reduce the risk of fire, keep away from combustible materials.

Purpose of This Sheet The purpose of this sheet is to provide step-by-step instructions to help you:

- Install the fixture with any of the following: -PT2/CT2/CT4 fitting on an LSI track,
 - Adjust zoom
 - Remove/Install accessory cartridge
 - Aim the fixture
-

Product Overview

The LZ ZOOM Luminaire is a compact, stemmed spotlight designed with zoom functionality to allow the beam to be easily adjusted from a narrow 5 degree spot to a 50 degree flood. Powered by a COB LED, the luminaire features unmatched optical performance with 25,000 CBCP at 5 degrees, using only 20 watts.

See the fixture label for voltage and wattage input.

Please consult our *Product Catalog* or web site for available accessories.

LZ Zoom



Dimming

- The LZ is fully dimmable using compatible low-voltage electronic dimmers. Other dimming options are available. Please consult factory.
 - Please review dimming application guide for more detailed information and a list of compatible dimmers.
-

Installing the Fixture with the -PT/CT Fitting on an LSI Track

FOR USE WITH LSI 3, 4, 5, 6, 8, 9, and POWERTrack SERIES TRACK

INSTALLATION INSTRUCTIONS: The track must already be installed according to code requirements. When installing or using this track, basic safety precautions should always be followed, including the following:

- Read all instructions.
- Do not install any part of a track less than 5 feet above the floor (8 feet for 277V).
- Do not install any fixture closer than 6 inches from any curtain or similar combustible material.

STEP	ACTION
1	Flip the fitting switch off and open the fitting handle (Fig. 1).
2	Are you using a one-circuit or two-circuit system? <ul style="list-style-type: none"> ▪ <i>If one-circuit</i>, make sure the brass contacts that protrude from the side of the fitting face the copper busbars inside the track. ▪ <i>If two-circuit</i>, inserting the fitting in one direction connects to circuit one. Removing and reversing the direction of the fitting connects to circuit two.
3	Insert the fitting straight up into the track until fully seated (Fig. 2).
4	Close the handle and flip the fitting switch on (Fig 3). WARNING: Do not look directly at lit LED.
5	To remove the fitting, hold the fixture in place, flip the fitting switch off, open the handle and pull the fitting straight off the track.



Figure 1. Fitting with switch OFF and handle OPEN.



Figure 2. Inserted fitting

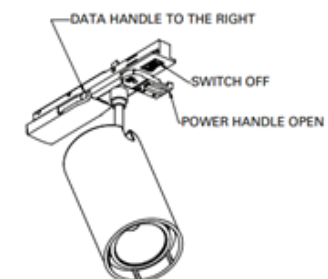


Figure 3. Switch ON, fitting handle closed

FOR USE WITH LSI CONTROLTrack SERIES TRACK

STEP	ACTION
1	If using CONTROLTrack, a second data handle will also need to be turned counterclockwise. (Fig 4). Note: CONTROLTrack comes with a label inside track backbone to identify power and data. (Fig 4).

OFF POSITION



ON POSITION

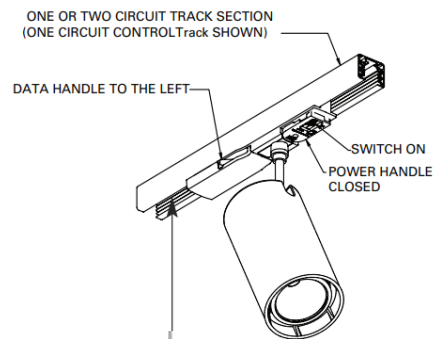


Figure 4. CONTROLTRACK fitting

Adjust Zoom

Fixture includes an integrated mechanical zoom mechanism.

STEP	ACTION
1	Turn off power to the fixture, including the fixture switch on the fitting, and let the LED cool. WARNING: LED and fixture may be hot.
2	To unlock lens barrel, lift up latch (Fig. 5)
3	Rotate lens barrel counterclockwise to make the beam smaller and clockwise to make the beam larger (Fig. 6)
4	Move the latch back to the locked position (Fig. 7). WARNING: Do not look directly at the lit LED.

Figure 5. Latch in unlocked position

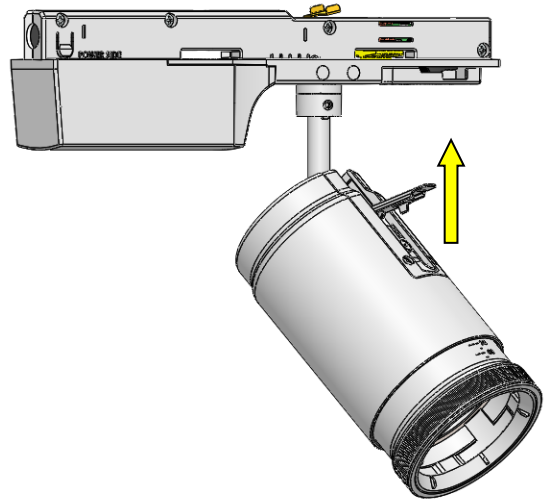


Figure 6. Rotate lens barrel

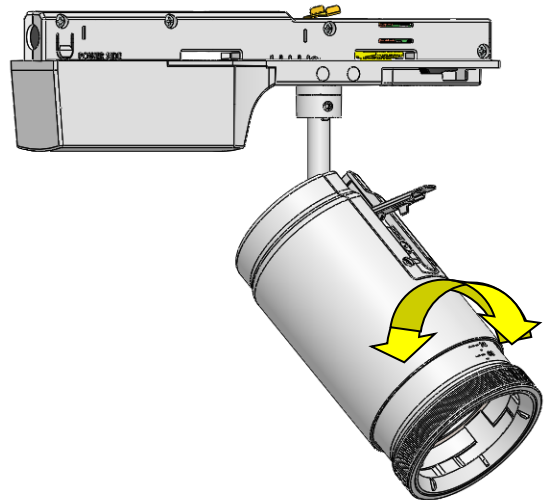
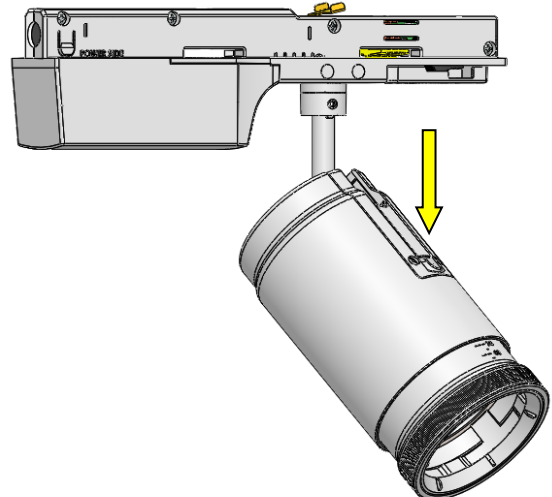


Figure 7. Latch in locked position



**Installing
or
Removing
Accessory
Holder**

The accessory holder is installed on the front of the fixture and is secured by press fit snaps. Removal is accomplished by pulling the accessory holder away from the fixture

STEP	ACTION
1	Turn off power to the fixture, including the fixture switch on the fitting, and let the LED cool. It is recommended to remove the fixture from its mounting for easier installation. WARNING: LED and fixture may be hot.
2	Pull accessory cartridge away from fixtures
3	To reinstalled push accessory cartridge back into fixture

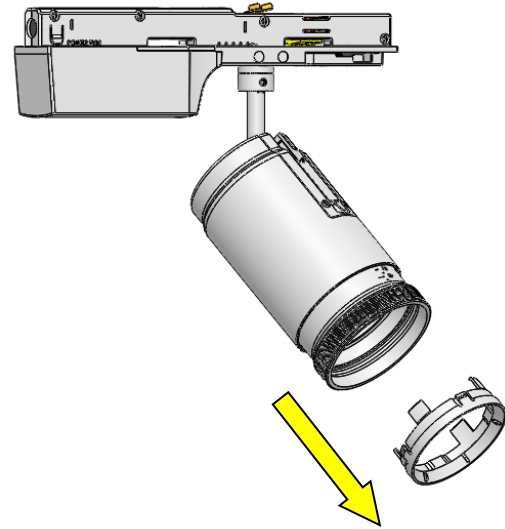


Figure 8. pull out accessory cartridge

Aiming and Locking Fixture

STEP	ACTION
1	Turn off all power to the fixture, including the fixture switch on the fitting, and let the LED cool. WARNING: LED and fixture may be hot.
2	Do you want to aim the fixture horizontally or vertically? <i>For horizontal aiming, turn the fixture left or right until you achieve your desired orientation. Once desired position is achieved, lock the fixture in place by tightening the set screw in Fig 9. Allen key can be found inside fitting power handle. (Fig. 9).</i> <ul style="list-style-type: none"> ▪ <i>For vertical aiming, Angle the housing up and down until you achieve your desired orientation. Once desired position is achieved, lock the fixture in place by tightening the set screw in Fig 10. Allen key can be found inside fitting power.handle.(Fig. 10).</i>
3	Restore power. WARNING: Do not look directly at the lit LED.

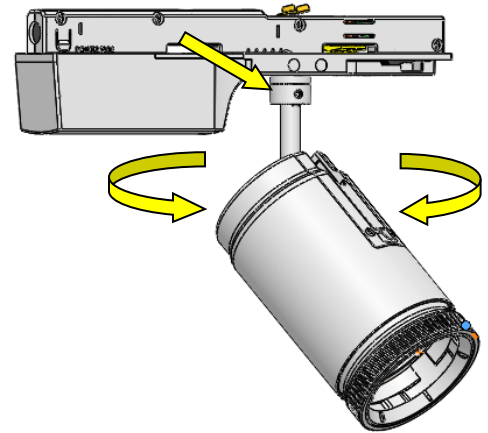


Figure 9. Turn fixture left or right to set the horizontal focus

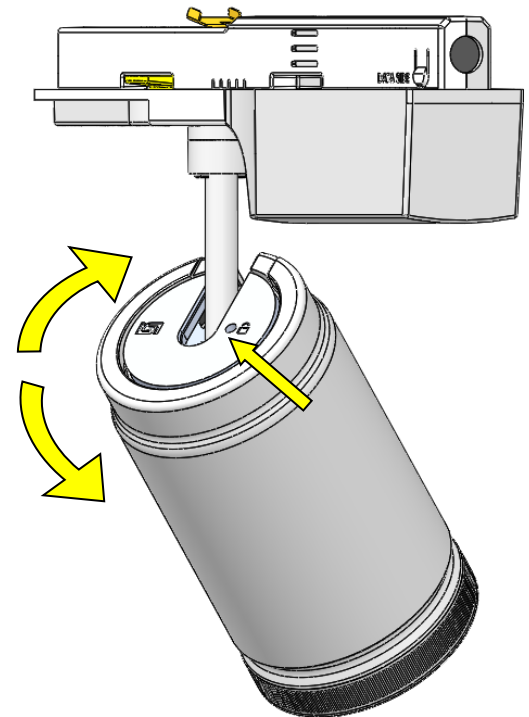


Figure 10. Angle fixture up or down to set the vertical focus