

LPW8 • 120/277V • LED WALL WASH • COB



COB LED technology produces high-quality, high-output light with a consistent, even field for the most demanding applications of museum and retail accent lighting.

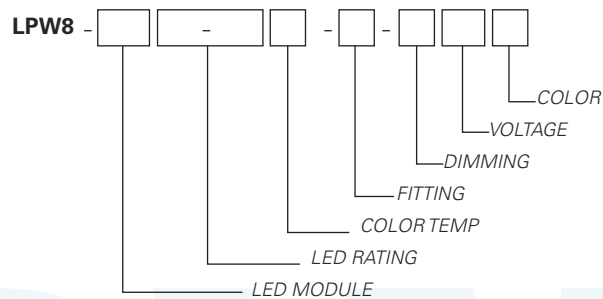
- Asymmetric optic produces a wide flat field with 2725 lumens at 38 watts
- System efficiency up to 33 lumens/watt
- Exceeds ANSI specifications by maintaining extremely tight color consistency over the life of the fixture
- Tested to LM79 and LM80 Protocols
- 50,000 hour life to 70% lumen output, L₇₀ at 95°F max ambient
- Hidden integral electronic driver compatible with various dimmers down to 0.1%
- Integral dimmer available
- Color Rendering Index (CRI) 90+
- Color Fidelity Index (R_f) 92
- Gamut Area Index (R_g) 102
- Color consistency: 2 MacAdam ellipses
- No UV or IR emissions; no mercury or lead
- On/off safety switch (on most mounting types)
- COB LED Panel and driver are field replaceable
- Sturdy aluminum housing and integrated heat sink
- Vertical and horizontal Allen key wrench locking
- Finishes: LSI Black, White, and Silver
- Fixture weight: 4 lbs

FIXTURE PART NUMBERS

Please review the **ORDERING INFORMATION** section on the next page as well as the **MOUNTING OPTIONS** on page 3 to create a part number for each fixture that specifies the following:

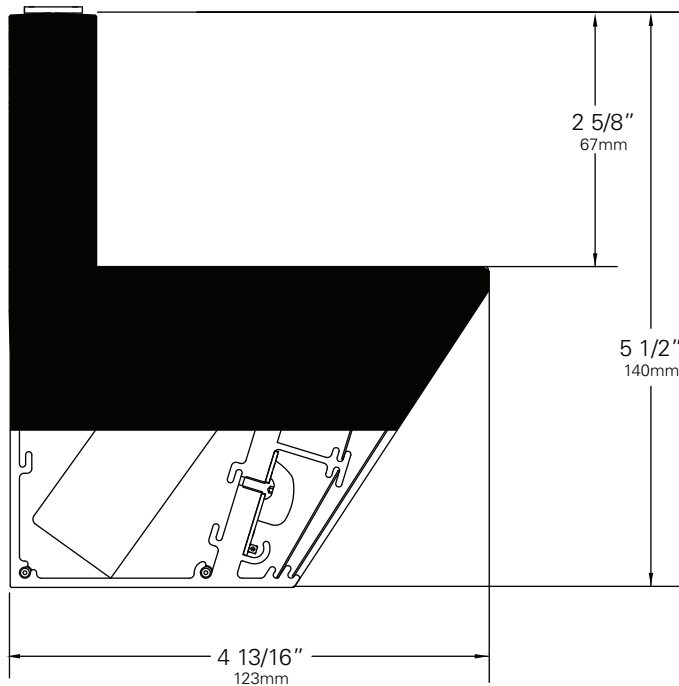
- LED Rating
- Color Temperature
- Fitting/Controls (Dimming)
- Voltage
- Finish

PART NUMBER



Example Part Number: **LPW8-Z1027-9030-00-TE120W** is a fixture with LED Wall Wash Array, 2725 Lumen/90 CRI/38 Watt LED rating, 3000K Color Temperature, 00 Track fitting with Trailing Edge group dimming capability, 120V and a White finish.

LPW8 • 120/277V • LED WALL WASH • COB



Note: Width of LPW8 Fixture Head: 5 3/16" (132mm)

Chromaticity Specifications

LED	R _a -CRI	R _f -Fidelity	R _g -Gamut Area
Z10	90	92	102

DRIVER TYPE (Electronic)

Input Power (A) - 120V	0.32
Input Power (A) - 277V	0.14
Wattage	38
Power Factor - 115V	0.92

ORDERING INFORMATION

Base Fixture Model

LPW8-Z10 (5x2 Wall Wash Array)

LED Rating (Lumens/CRI/Wattage)

27-90 = 2725/90/38

Color Temperature

27 = 2700K 30 = 3000K

35 = 3500K 40 = 4000K

Fitting/Controls (Dimming)

00-TE = Track Fitting & Trailing Edge (5%)

0D-ED = Track Fitting with Integral Dimmer (0.1%)

00EF-TE = Security/Worklight Track Fitting

& Trailing Edge (5%)

2G-TE = Universal Fitting & Trailing Edge (5%)

3G-TE = Pipe Clamp Fitting & Trailing Edge (5%)

5A-TE = Canopy Fitting & Trailing Edge (5%)

5B-ED = Canopy Fitting with Integral Dimmer (0.1%)

5B-10 = Canopy Fitting & 0-10V (0.1%)

Coiled Cord is available only with **2G** and **3G** mounting options. Change 2G to **2C** and 3G to **3C**. (When a coiled cord is not specified, a straight cord is provided.)

Voltage

120 = 120V 230 = 220-240V 277 = 277V

Finish

B = Black W = White S = Silver

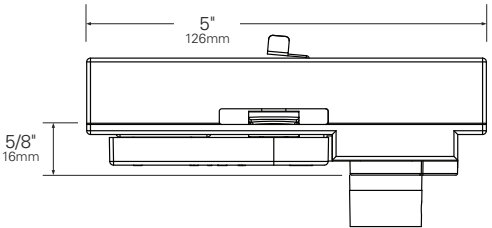
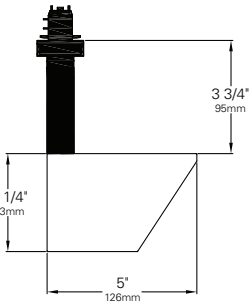
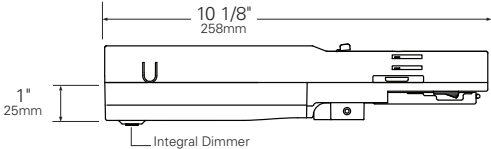

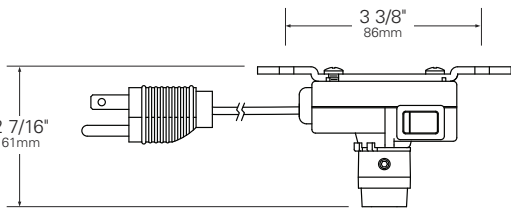
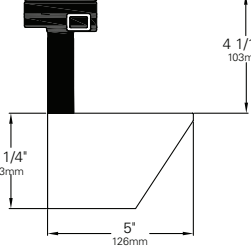
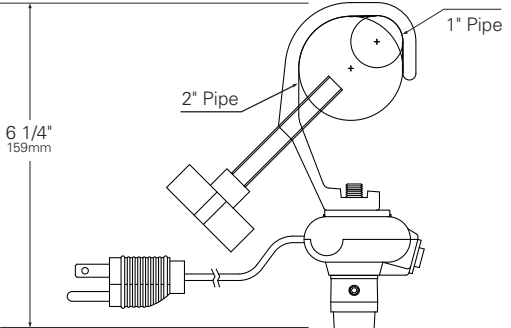
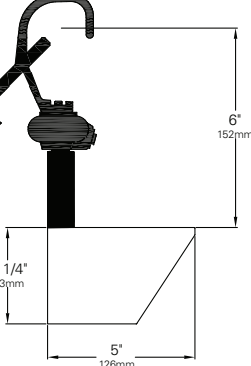
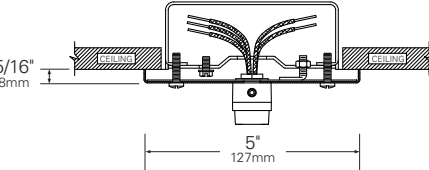
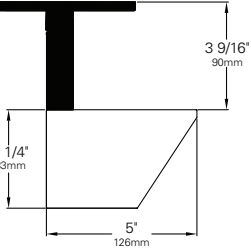
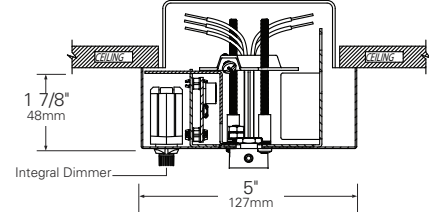
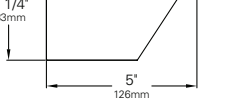
Example Part Number:

LPW8-Z10 **27-90** **30** - **00-TE** **120** **W**
FIXTURE MODEL LED RATING COLOR TEMP FITTING/DIMMING VOLTAGE FINISH

Other Options (Consult Factory):

- Custom color, RAL palette

LPW8 • MOUNTING OPTIONS

FITTING	SIDE VIEW	STEM LENGTH VIEW
<p>00 Track Fitting/ 00EF Security/Worklight Fitting</p>		
<p>0D-ED Track Fitting with Integral Dimmer</p>		
<p>2G Universal Fitting</p>		
<p>3G Pipe Clamp Fitting</p>		
<p>5A Canopy Fitting with TE Dimming</p>		
<p>5B Canopy Fitting with Integral Dimmer and 0-10V Dimming</p>		

LPW8 • PERFORMANCE

Delivered Lumens	
Lumens/CRI/Wattage	
27-90 2725/90/38	1194

Efficiency = Lumens Per Watt	
Lumens/CRI/Wattage	
27-90 2725/90/38	31

Absolute range of values are +/- 10% of typical value, and are for all color temperatures

Lumens/CRI/Wattage Letter Code	2725/90/38 27-90
Nominal Fixture Power (+/- 20%), Watts	38
Maximum Inrush Current Amps	10
Minimum Power Factor	0.92

Inrush current is instantaneous current drawn by the LED only when fixture is initially powered on or instantaneously changed from full dim to full bright. For more details see Dimming Application Sheet, IS-0119.

LPW8 • PHOTOMETRIC DATA

For all charts on this page:
A. 3' from wall, 3' on center
B. 4' from wall, 4' on center

Lumen Package "27-90"
 Delivered Lumens
 CRI

1194
90

LPW8 PHOTOMETRIC DATA

DISTANCE FROM CEILING	Unit aimed 5' 3" horizontal				Unit aimed 5' 3" horizontal				
	A				B				
	1'	2'	1'	2'	1'	2'	3'	1'	2'
11'	27	27	27	27	9	9	9	9	9
10'	28	28	28	28	11	11	11	11	11
9'	27	27	27	27	13	13	13	13	13
8'	24	23	23	24	14	14	14	14	14
7'	21	20	20	21	14	14	13	14	13
6'	19	18	18	19	12	12	12	11	12
5'	13	14	14	13	9	9	9	9	9
4'	11	11	11	11	8	8	8	8	8
3'	9	9	9	9	6	6	6	6	6
2'	7	7	7	7	5	5	5	5	5
1'	4	4	4	4	4	4	4	4	4
0'	2	2	2	2	2	2	2	2	2

LPW8 • GELS

As the foremost innovator in accent lighting, LSI offers a complete range of pre-cut Gels to modify the spread and color of light.



LPW8 COLOR GELS

Size: LPW (5" x3.48")	Gel Color	% of Light Transmission	Size: LPW (5" x3.48")	Gel Color	% of Light Transmission
GEL-R2-LPW	Bastard Amber	78	GEL-R312-LPW	Canary	85
GEL-R7-LPW	Pale Yellow	96	GEL-R331-LPW	Shell Pink	68
GEL-R12-LPW	Straw	88	GEL-R383-LPW	Sapphire Blue	4
GEL-R13-LPW	Straw Tint	78	GEL-R397-LPW	Pale Grey	70
GEL-R14-LPW	Medium Straw	68	GEL-R2001-LPW	Storaro Red	12
GEL-R21-LPW	Golden Amber	43	GEL-R2004-LPW	Storaro Green	15
GEL-R25-LPW	Orange Red	14	GEL-R2009-LPW	Storaro Violet	3
GEL-R26-LPW	Light Red	12	GEL-R3202-LPW	Full Blue	36
GEL-R27-LPW	Medium Red	4	GEL-R3204-LPW	Half Blue	52
GEL-R57-LPW	Lavender	24	GEL-R3206-LPW	Third Blue	64
GEL-R62-LPW	Booster Blue	54	GEL-R3216-LPW	Eighth Blue (Boosts 3200K to 3300K)	81
GEL-R71-LPW	Sea Blue	30	GEL-R3318-LPW	Tough 1/8 Minusgreen	89
GEL-R72-LPW	Azure Blue	44	GEL-R3410-LPW	Roscosun (1/8 CTO) (Reduces 5500K to 4900K)	92
GEL-R91-LPW	Primary Green	7	GEL-R3441-LPW	Full Straw (CTS)	50
GEL-R97-LPW	Light Grey	50	GEL-R3443-LPW	Quarter Straw (CTS)	81
GEL-R98-LPW	Medium Grey	25	GEL-R4330-LPW	CalColor 30 Cyan	63
GEL-R101-LPW	Light Frost	N/A	GEL-R4415-LPW	CalColor 15 Green	67
GEL-R104-LPW	Tough Silk	N/A	GEL-R4490-LPW	CalColor 90 Green	25
GEL-R119-LPW	Lt. Hamburg Frost	N/A	GEL-R4860-LPW	CalColor 60 Pink	46
GEL-R121-LPW	Blue Diffusion	N/A	GEL-R4890-LPW	CalColor 90 Pink	38
GEL-R305-LPW	Rose Gold	75	GEL-R4930-LPW	CalColor 30 Lavender	47

LSI ROSCO GEL CCT CONVERSION CHART FROM 3000K

Type	ROSCO #	ROSCO Description	Resulting CCT
Amber Filters Lower CCT	3420	Double CTO	1531
	3407	Sun CTO	1999
	3401	Sun 85	2154
	3411	Sun 3/4 CTO	2154
	3408	Sun 1/2 CTO	2414
	3409	Sun 1/4 CTO	2664
	3410	Sun 1/8 CTO	2830
	3114	UV Filter	2930
Blue Filters Raise CCT	3220	Double Blue	N/A
	3202	Full Blue	4942
	3203	Three-Quarter Blue	4286
	3204	Half Blue	3769
	3206	Third Blue	3517
	3208	Quarter Blue	3297
	3216	Eighth Blue	3112