

LX2087 • 120/277V • LED • XICATO 19MM



Remote phosphor technology produces high quality, high output light with a consistent, even field for the most demanding applications of museum and retail accent lighting.

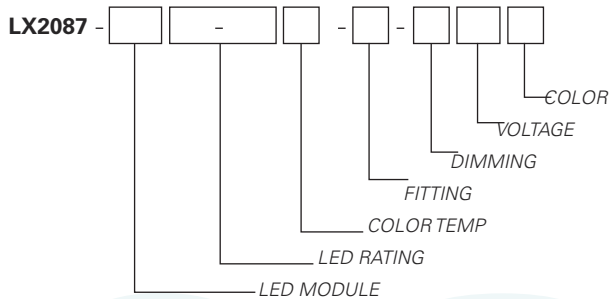
- Designed for the Xicato™ XTM LED module up to 41 Watts
- Extremely tight color consistency (less than 2 MacAdam Ellipses)
- Backed by Xicato's Five Year Color Consistency and Lumen Maintenance Warranty
- System efficiency of 62 lumens/watt
- Exceeds ANSI specifications by maintaining industry's best color consistency over the 50,000 hour rated life of the LED module
- Tested to LM79 and LM80 Protocols
- 50,000 hour life to 70% lumen output, L₇₀ at 95°F max ambient
- Hidden integral electronic driver compatible with various dimmers down to 0.1%
- Integral dimmer available (track and canopy mount only)
- Lutron EcoSystem compatible with dimming to 1% (Lutron Hi-Lume Premier 1% EcoSystem LED Driver)
- Lutron EcoSystem features soft-on, fade to black, smooth flicker-free dimming from 0-100% (Meets IEEE 1789 for flicker)
- Specular asymmetric reflector included
- Broad coverage for a seamless wash of light
- Gel holder and spread gel included
- Choice of lumen outputs (delivered lumens)
- Choice of color temperature
- Color Rendering Index (CRI) of 98 (high)
- No UV or IR emissions; no mercury or lead
- On/off safety switch (on most mounting types)
- Available with LSI standard mounting options
- Sturdy aluminum housing
- Vertical and horizontal allen key wrench locking
- Finishes: LSI Black, White, and Silver
- Fixture weight: 8 lbs
- All LumeLEX modules are field replaceable

FIXTURE PART NUMBERS

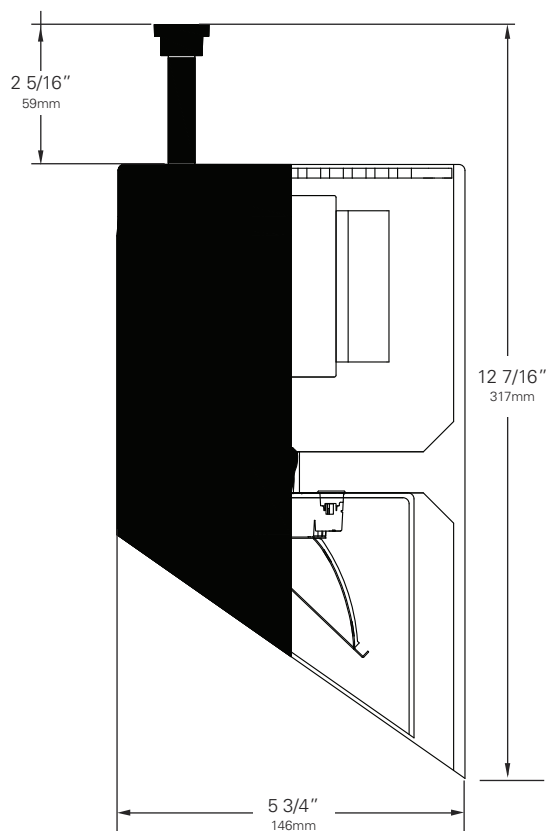
Please review the **ORDERING INFORMATION** section on the next page as well as the **MOUNTING OPTIONS** on page 3 to create a part number for each fixture that specifies the following:

- LED Module
- LED Rating
- Color Temperature
- Fitting/Controls (Dimming)
- Voltage
- Finish

PART NUMBER



Example Part Number: **LX2087-T1930-9830-00-TE120W** is a fixture with a Xicato 19mm LED module, 3000 Lumen/98 CRI/41 Watt LED rating, 3000K Color Temperature, 00 Track fitting with Trailing Edge group dimming capability, 120V and a White finish.

LX2087 • 120/277V • LED • XICATO 19MM**Color Temperature & Center Point Tolerance**

| Color Temp | Center Point | Tolerance |
|------------|--------------|-----------|
| 2700K | 2700K | +/- 40K |
| 3000K | 2950K | +/- 50K |
| 3500K | 3420K | +/- 60K |
| 4000K | 4000K | +/- 70K |

Chromaticity Specifications

| LED | R _a -CRI | R _f -Fidelity | R _g -Gamut Area |
|----------|---------------------|--------------------------|----------------------------|
| T19 - 98 | 98 | 96 | 103 |

XTM 19MM ORDERING INFORMATION**Base Fixture Model**

LX2087-T19 (XTM 19mm)

LED Rating (Lumens/CRI/Wattage)

20-98 = 2000/98/28

30-98 = 3000/98/41

Color Temperature

27 = 2700K 30 = 3000K

35 = 3500K 40 = 4000K

Fitting/Controls (Dimming)

00-TE = Track Fitting & Trailing Edge (5%)

0D-ED = Track Fitting with Integral Dimmer (0.1%)

00EF-TE = Security/Worklight Track Fitting
& Trailing Edge (5%)

2G-TE = Universal Fitting & Trailing Edge (5%)

3G-TE = Pipe Clamp Fitting & Trailing Edge (5%)

5A-TE = Canopy Fitting & Trailing Edge (5%)

5A-ED = Canopy Fitting with Integral Dimmer (0.1%)

5A-10 = Canopy Fitting & 0-10V (0.1%)

5A-L3 = Canopy Fitting & Lutron EcoSystem
(1% Soft On/Off)

Coiled Cord is available only with **2G** and **3G** mounting options. Change 2G to **2C** and 3G to **3C**. (When a coiled cord is not specified, a straight cord is provided.)

Voltage

120 = 120V 230 = 220-240V 277 = 277V

Finish

B = Black W = White S = Silver

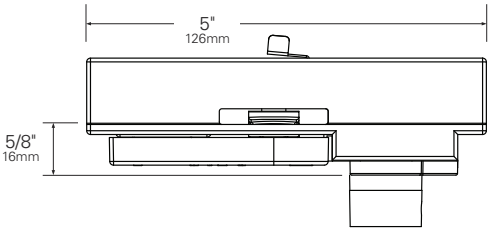
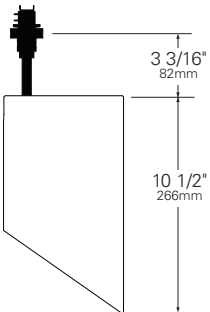
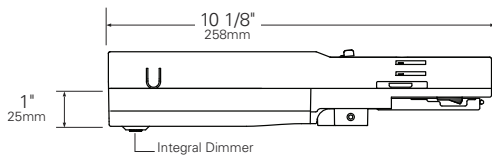

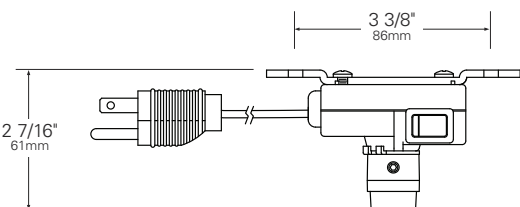
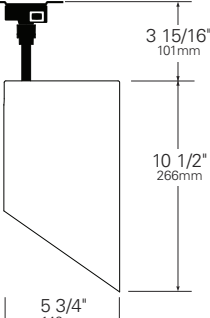
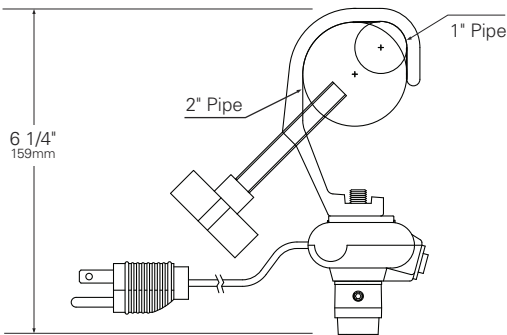
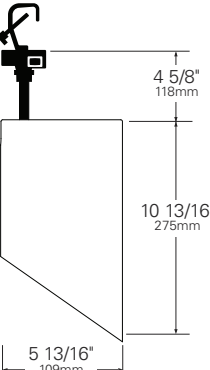
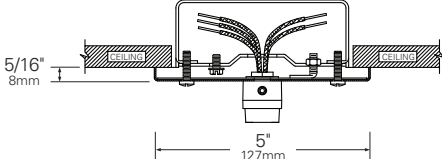
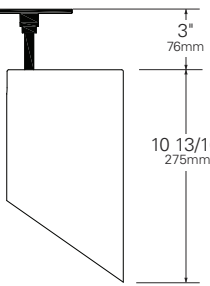
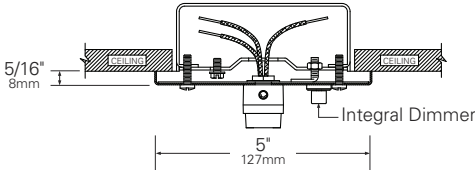
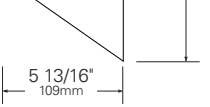
Example Part Number:

LX2087-T19 **30-98** **30** - **00-TE** **120** **W**
FIXTURE MODEL LED RATING COLOR TEMP FITTING/DIMMING VOLTAGE FINISH

Other Options (Consult Factory):

- Custom Stems, specify length (4" - 6")
- Custom color, RAL palette

LX2087 • MOUNTING OPTIONS

| FITTING | SIDE VIEW | STEM LENGTH VIEW |
|--|--|---|
| <p>00 Track Fitting/ 00EF Security/Worklight Fitting</p> |  |  |
| <p>0D-ED Track Fitting with Integral Dimmer</p> |  |  |
| <p>2G Universal Fitting</p> |  |  |
| <p>3G Pipe Clamp Fitting</p> |  |  |
| <p>5A Canopy Fitting with TE, 0-10V, & L3 Dimming</p> |  |  |
| <p>5A-ED Canopy Fitting with Integral Dimmer</p> |  |  |

LX2087 • PERFORMANCE

| Delivered Lumens | |
|---------------------------|-------------------|
| LED Module | Optic (Reflector) |
| Lumens/CRI/Wattage | ASYM. |
| 2000/98/28 | 1700 |
| 3000/98/41 | 2550 |

| Efficiency = Lumens Per Watt | |
|------------------------------|-------------------|
| LED Module | Optic (Reflector) |
| Lumens/CRI/Wattage | ASYM. |
| 2000/98/28 | 61 |
| 3000/98/41 | 62 |

Absolute range of values are +/- 10% of typical value, and are for all color temperatures

| LED Module Lumens/CRI/Wattage Letter Code | 2000/98/28 20-98 | 3000/98/41 30-98 |
|---|---------------------|---------------------|
| Nominal Fixture Power (+/- 20%), Watts | 28 | 41 |
| Maximum Inrush Current Amps | 10 | 10 |
| Minimum Power Factor | 0.92 | 0.92 |

Inrush current is instantaneous current drawn by the LED only when fixture is initially powered on or instantaneously changed from full dim to full bright. For more details see Dimming Application Sheet, IS-0119.

LX2087 • PHOTOMETRIC DATA

For all charts on this page:
A. 3' from wall, 3' on center
B. 4' from wall, 4' on center

Lumen Package 30-98

Source Lumens

CRI

3000

98

LX2087 PHOTOMETRIC DATA (PRELIMINARY)

| DISTANCE FROM CEILING | Unit aimed 5' 3" up wall | | | | Unit aimed 5' 3" up wall | | | | |
|-----------------------|--------------------------|----|----|----|--------------------------|----|----|----|----|
| | A | | | | B | | | | |
| | 1' | 2' | 1' | 2' | 1' | 2' | 3' | 1' | 2' |
| 12' | 39 | 48 | 48 | 39 | 30 | 30 | 36 | 30 | 30 |
| 11' | 45 | 50 | 50 | 45 | 33 | 33 | 37 | 33 | 33 |
| 10' | 48 | 55 | 55 | 48 | 37 | 37 | 42 | 37 | 37 |
| 9' | 54 | 60 | 60 | 54 | 42 | 42 | 45 | 42 | 42 |
| 8' | 60 | 67 | 67 | 60 | 46 | 46 | 51 | 46 | 46 |
| 7' | 54 | 60 | 60 | 54 | 42 | 42 | 45 | 42 | 42 |
| 6' | 50 | 54 | 54 | 50 | 39 | 39 | 42 | 39 | 39 |
| 5' | 42 | 48 | 48 | 42 | 32 | 32 | 36 | 32 | 32 |
| 4' | 33 | 39 | 39 | 33 | 27 | 27 | 30 | 27 | 27 |
| 3' | 30 | 33 | 33 | 30 | 24 | 24 | 24 | 24 | 24 |
| 2' | 21 | 21 | 21 | 21 | 15 | 15 | 15 | 15 | 15 |
| 1' | 18 | 19 | 19 | 18 | 15 | 15 | 15 | 15 | 15 |

LX2087 • GELS

As the foremost innovator in accent lighting, LSI offers a complete range of pre-cut Gels to modify the spread and color of light for the LumeLEX LED Series.



LumeLEX® BEAM SOFTENER GELS

| Size: LX2087 (3.25" x 3.38") | Beam Softener Gel |
|------------------------------|-------------------|
| GEL-R101-WAL | Beam Softener |

LumeLEX® COLOR GELS

| Size: WAL (76 mm diameter) | Gel Color | % of Light Transmission | Size: WAL (76 mm diameter) | Gel Color | % of Light Transmission |
|-------------------------------|-------------------|----------------------------|-------------------------------|--|----------------------------|
| GEL-R2-WAL | Bastard Amber | 78 | GEL-R312-WAL | Canary | 85 |
| GEL-R7-WAL | Pale Yellow | 96 | GEL-R331-WAL | Shell Pink | 68 |
| GEL-R12-WAL | Straw | 88 | GEL-R383-WAL | Sapphire Blue | 4 |
| GEL-R13-WAL | Straw Tint | 78 | GEL-R397-WAL | Pale Grey | 70 |
| GEL-R14-WAL | Medium Straw | 68 | GEL-R2001-WAL | Storaro Red | 12 |
| GEL-R21-WAL | Golden Amber | 43 | GEL-R2004-WAL | Storaro Green | 15 |
| GEL-R25-WAL | Orange Red | 14 | GEL-R2009-WAL | Storaro Violet | 3 |
| GEL-R26-WAL | Light Red | 12 | GEL-R3202-WAL | Full Blue | 36 |
| GEL-R27-WAL | Medium Red | 4 | GEL-R3204-WAL | Half Blue | 52 |
| GEL-R57-WAL | Lavender | 24 | GEL-R3206-WAL | Third Blue | 64 |
| GEL-R62-WAL | Booster Blue | 54 | GEL-R3216-WAL | Eighth Blue (Boosts 3200K to 3300K) | 81 |
| GEL-R71-WAL | Sea Blue | 30 | GEL-R3318-WAL | Tough 1/8 Minusgreen | 89 |
| GEL-R72-WAL | Azure Blue | 44 | GEL-R3410-WAL | Roscoun (1/8 CTO) (Reduces 5500K to 4900K) | 92 |
| GEL-R91-WAL | Primary Green | 7 | GEL-R3441-WAL | Full Straw (CTS) | 50 |
| GEL-R97-WAL | Light Grey | 50 | GEL-R3443-WAL | Quarter Straw (CTS) | 81 |
| GEL-R98-WAL | Medium Grey | 25 | GEL-R4330-WAL | CalColor 30 Cyan | 63 |
| GEL-R101-WAL | Light Frost | N/A | GEL-R4415-WAL | CalColor 15 Green | 67 |
| GEL-R104-WAL | Tough Silk | N/A | GEL-R4490-WAL | CalColor 90 Green | 25 |
| GEL-R119-WAL | Lt. Hamburg Frost | N/A | GEL-R4860-WAL | CalColor 60 Pink | 46 |
| GEL-R121-WAL | Blue Diffusion | N/A | GEL-R4890-WAL | CalColor 90 Pink | 38 |
| GEL-R305-WAL | Rose Gold | 75 | GEL-R4930-WAL | CalColor 30 Lavender | 47 |

LSI ROSCO GEL CCT CONVERSION CHART FROM 3000K

| Type | ROSCO # | ROSCO Description | Resulting CCT |
|----------------------------|---------|--------------------|---------------|
| Amber Filters Lower CCT | 3420 | Double CTO | 1531 |
| | 3407 | Sun CTO | 1999 |
| | 3401 | Sun 85 | 2154 |
| | 3411 | Sun 3/4 CTO | 2154 |
| | 3408 | Sun 1/2 CTO | 2414 |
| | 3409 | Sun 1/4 CTO | 2664 |
| | 3410 | Sun 1/8 CTO | 2830 |
| | 3114 | UV Filter | 2930 |
| Blue Filters Raise CCT | 3220 | Double Blue | N/A |
| | 3202 | Full Blue | 4942 |
| | 3203 | Three-Quarter Blue | 4286 |
| | 3204 | Half Blue | 3769 |
| | 3206 | Third Blue | 3517 |
| | 3208 | Quarter Blue | 3297 |
| | 3216 | Eighth Blue | 3112 |