

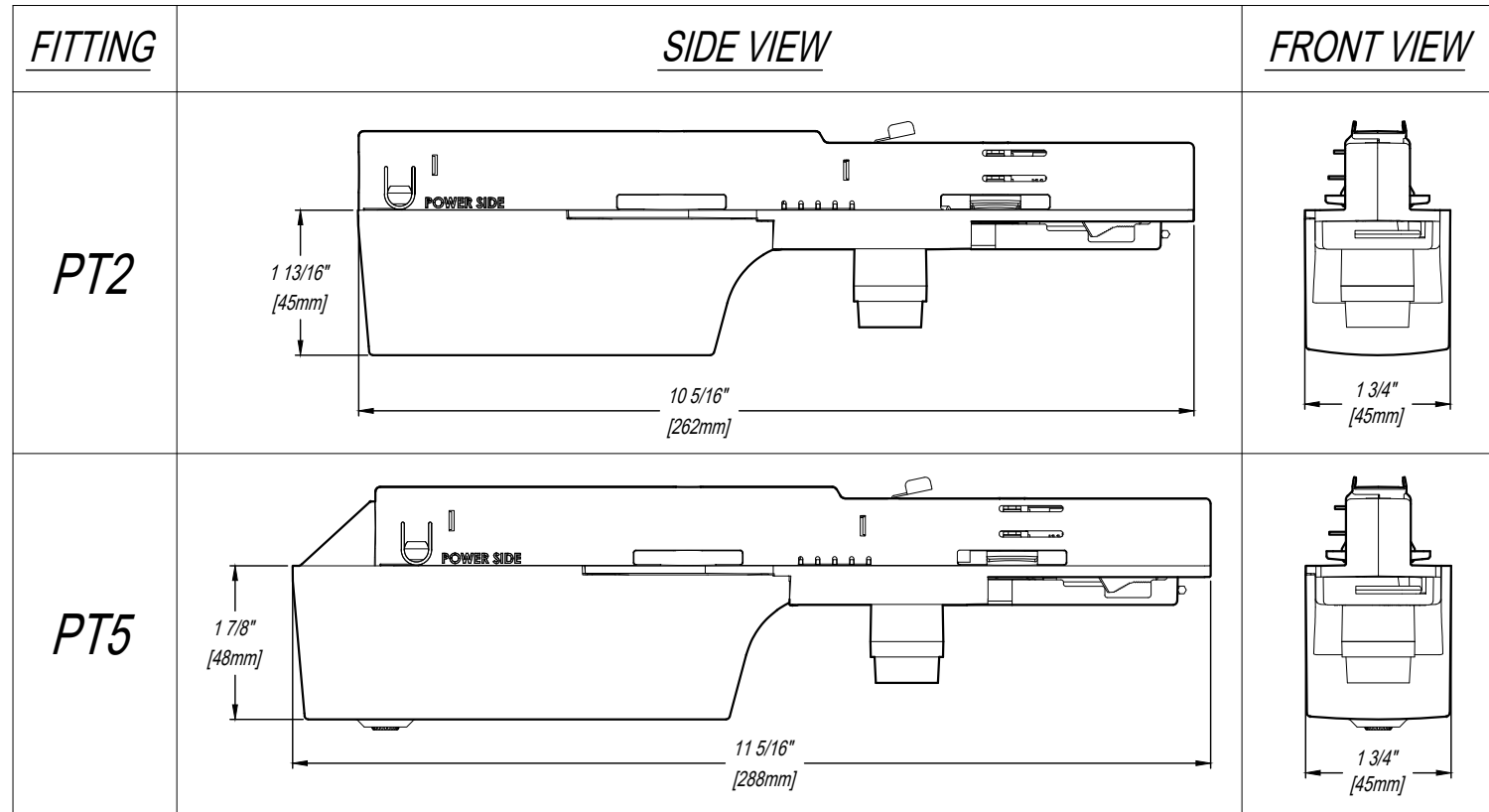


Rev.	ECO	By	Date	App.	Description
K	7543	BL	2/13/23	JC	RELEASED FOR MARKETING

FITTING	SIDE VIEW	FRONT VIEW	FITTING	SIDE VIEW	FRONT VIEW																																																																																				
CT1			CT5																																																																																						
CT2			<table border="1"> <thead> <tr> <th>Fixture</th> <th>0-10V (0.1%) [10]</th> <th>DMX (<1%) [DMX]</th> <th>Lutron Ecosystem (0.1%) [L3]</th> </tr> </thead> <tbody> <tr><td>LX2030</td><td>CT2</td><td>CT4</td><td>CT5</td></tr> <tr><td>LX2031</td><td>CT2</td><td>CT4</td><td>CT5</td></tr> <tr><td>LX2038</td><td>CT2</td><td>CT4</td><td>CT5</td></tr> <tr><td>LX2044</td><td>CT1</td><td>CT3</td><td>CT5</td></tr> <tr><td>LX2047</td><td>CT1</td><td>CT3</td><td>CT5</td></tr> <tr><td>LX2048</td><td>CT1</td><td>CT3</td><td>CT5</td></tr> <tr><td>LX2060</td><td>CT1</td><td>CT3</td><td>CT1*</td></tr> <tr><td>LX2084</td><td>CT1</td><td>CT3</td><td>CT1</td></tr> <tr><td>LX2087</td><td>CT1</td><td>CT3</td><td>CT1</td></tr> <tr><td>LX2088</td><td>CT1</td><td>CT3</td><td>CT1</td></tr> <tr><td>LZ ZOOM</td><td>CT2</td><td>CT4</td><td>CT5</td></tr> <tr><td>LPW8</td><td>CT1</td><td>CT3</td><td></td></tr> <tr><td>BPM</td><td>CT1</td><td>CT3</td><td>CT5</td></tr> <tr><td>LX2020</td><td>CT2</td><td>CT4</td><td></td></tr> <tr><td>LP1</td><td>CT1</td><td>CT3</td><td>CT5</td></tr> <tr><td>LP2</td><td>CT1</td><td>CT3</td><td>CT1</td></tr> <tr><td>LP4</td><td>CT1</td><td>CT1</td><td></td></tr> <tr><td>LP230</td><td>CT2</td><td>CT4</td><td></td></tr> <tr><td>LP260</td><td>CT2</td><td>CT4</td><td></td></tr> <tr><td>LX2044-ZE3</td><td>CT1</td><td>CT3</td><td>CT5</td></tr> </tbody> </table>			Fixture	0-10V (0.1%) [10]	DMX (<1%) [DMX]	Lutron Ecosystem (0.1%) [L3]	LX2030	CT2	CT4	CT5	LX2031	CT2	CT4	CT5	LX2038	CT2	CT4	CT5	LX2044	CT1	CT3	CT5	LX2047	CT1	CT3	CT5	LX2048	CT1	CT3	CT5	LX2060	CT1	CT3	CT1*	LX2084	CT1	CT3	CT1	LX2087	CT1	CT3	CT1	LX2088	CT1	CT3	CT1	LZ ZOOM	CT2	CT4	CT5	LPW8	CT1	CT3		BPM	CT1	CT3	CT5	LX2020	CT2	CT4		LP1	CT1	CT3	CT5	LP2	CT1	CT3	CT1	LP4	CT1	CT1		LP230	CT2	CT4		LP260	CT2	CT4		LX2044-ZE3	CT1	CT3	CT5
Fixture	0-10V (0.1%) [10]	DMX (<1%) [DMX]				Lutron Ecosystem (0.1%) [L3]																																																																																			
LX2030	CT2	CT4				CT5																																																																																			
LX2031	CT2	CT4				CT5																																																																																			
LX2038	CT2	CT4	CT5																																																																																						
LX2044	CT1	CT3	CT5																																																																																						
LX2047	CT1	CT3	CT5																																																																																						
LX2048	CT1	CT3	CT5																																																																																						
LX2060	CT1	CT3	CT1*																																																																																						
LX2084	CT1	CT3	CT1																																																																																						
LX2087	CT1	CT3	CT1																																																																																						
LX2088	CT1	CT3	CT1																																																																																						
LZ ZOOM	CT2	CT4	CT5																																																																																						
LPW8	CT1	CT3																																																																																							
BPM	CT1	CT3	CT5																																																																																						
LX2020	CT2	CT4																																																																																							
LP1	CT1	CT3	CT5																																																																																						
LP2	CT1	CT3	CT1																																																																																						
LP4	CT1	CT1																																																																																							
LP230	CT2	CT4																																																																																							
LP260	CT2	CT4																																																																																							
LX2044-ZE3	CT1	CT3	CT5																																																																																						
CT3																																																																																									
CT4																																																																																									

CONFIDENTIAL-PROPRIETARY INFORMATION. THE INFORMATION HEREIN IS PROTECTED UNDER COPYRIGHT AND IS OF A PROPRIETARY NATURE AND IS SUBMITTED IN CONFIDENCE FOR USE BY OUR CLIENTS ONLY. UNAUTHORIZED REPRODUCTION, PUBLICATION, DISTRIBUTION OR DISSEMINATION IN WHOLE OR IN PART, IS EXPRESSLY PROHIBITED. THE INFORMATION CONTAINED HEREIN IS AND REMAINS THE PROPERTY OF LIGHTING SERVICES INC AND RECEIPT OR POSSESSION OF THIS INFORMATION CONFERS NO RIGHT IN OR LICENSE TO USE OR TO DISCLOSE TO OTHERS THE SUBJECT MATTER CONTAINED HEREIN FOR ANY BUT AUTHORIZED PURPOSES. COPYRIGHT LIGHTING SERVICES INC ALL RIGHTS RESERVED.

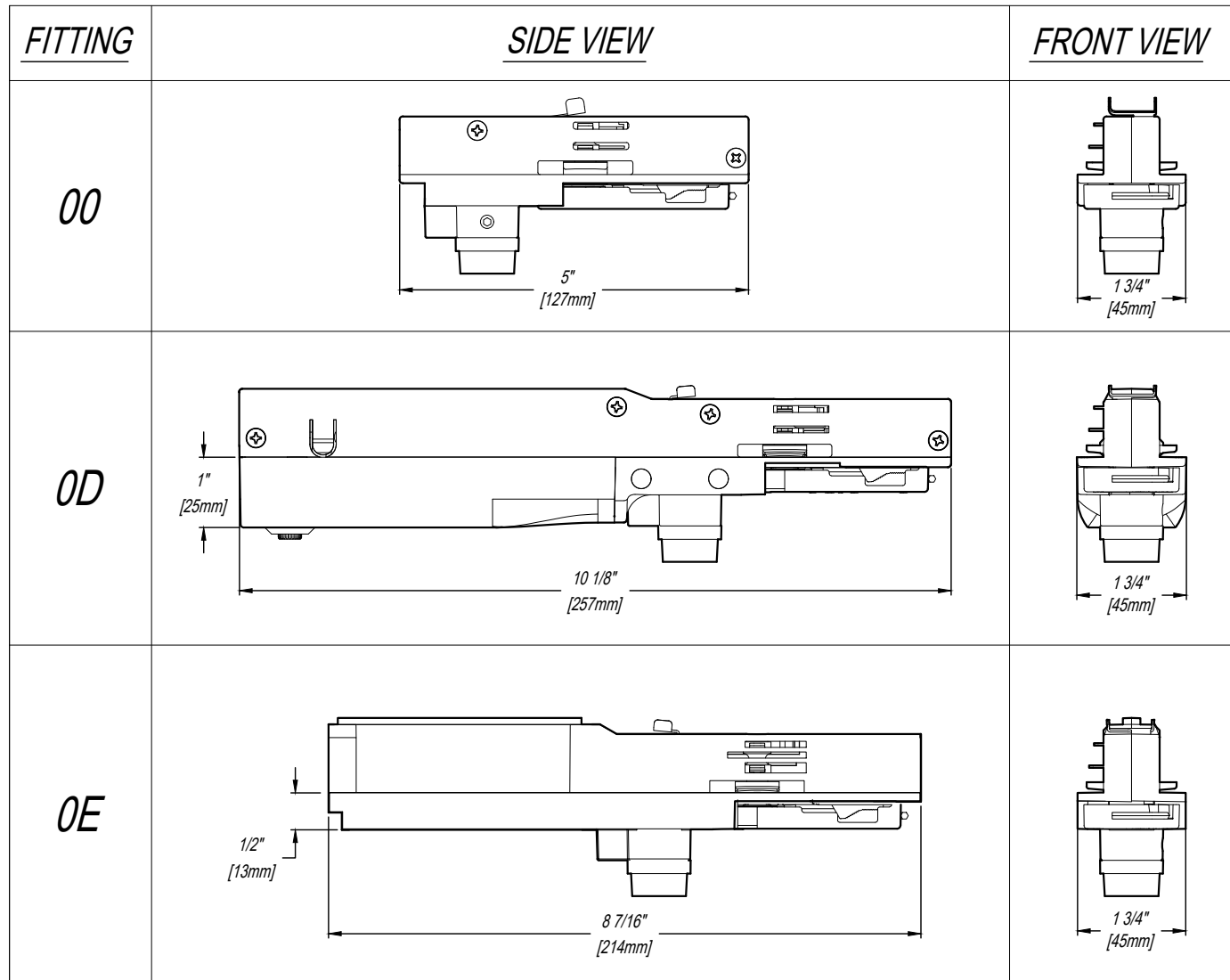
Title	Type	Description
		LSI FITTING LAYOUT
Drawn by	Date	Checked by
VA	10/24/17	JC
Scale	Sheet	Drawing No.
NONE	1 OF 4	SK-00137
Rev		
K		



Fixture	TRAILING EDGE (5%) [TE]	ED INTERGRAL (0.1%) [ED]
LX2030		PT5
LX2031		PT5
LX2038		PT5
LX2044		
LX2047		
LX2048		
LX2060		
LX2084		
LX2087		
LX2088		
LZ ZOOM	PT2	PT5
LPW8		
BPM		
LX2020		PT5
LP1		
LP2		
LP4		
LP230	PT2	PT5
LP260		PT5
LX2044-ZE3		

CONFIDENTIAL-PROPRIETARY INFORMATION. THE INFORMATION HEREIN IS PROTECTED UNDER COPYRIGHT AND IS OF A PROPRIETARY NATURE AND IS SUBMITTED IN CONFIDENCE FOR USE BY OUR CLIENTS ONLY. UNAUTHORIZED REPRODUCTION, PUBLICATION, DISTRIBUTION OR DISSEMINATION IN WHOLE OR IN PART, IS EXPRESSLY PROHIBITED. THE INFORMATION CONTAINED HEREIN IS AND REMAINS THE PROPERTY OF LIGHTING SERVICES INC AND RECEIPT OR POSSESSION OF THIS INFORMATION CONFERS NO RIGHT IN OR LICENSE TO USE OR TO DISCLOSE TO OTHERS THE SUBJECT MATTER CONTAINED HEREIN FOR ANY BUT AUTHORIZED PURPOSES. COPYRIGHT LIGHTING SERVICES INC ALL RIGHTS RESERVED.

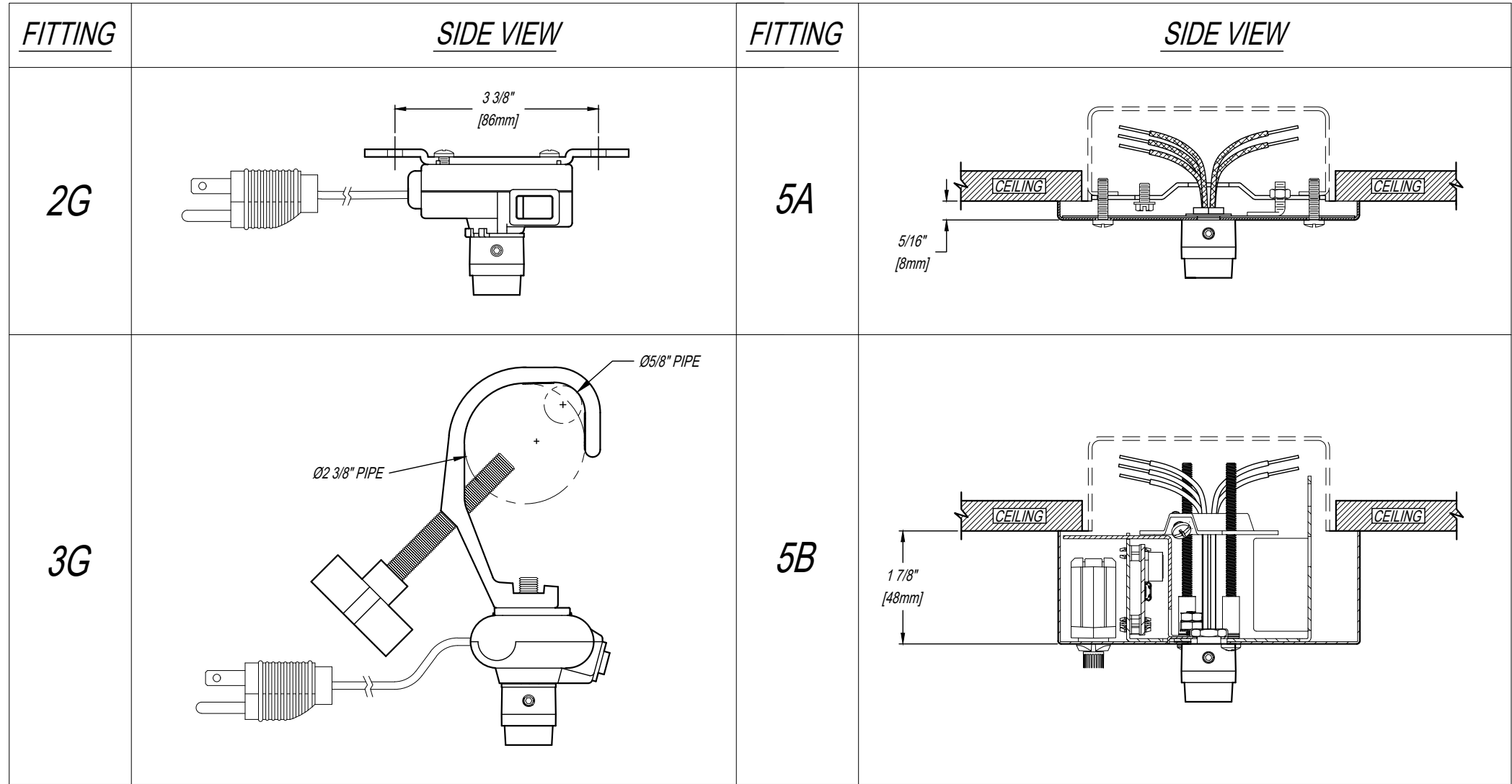
Title	Type	Description					
		<i>LSI FITTING LAYOUT</i>					
Drawn by	Date	Checked by	Date	Scale	Sheet	Drawing No.	Rev
VA	10/24/17	JC	11/01/17	NONE	2 OF 4	SK-00137	K



Fixture	TRAILING EDGE (5%) [TE]	ED INTEGRAL (0.1%) [ED]
LX2030	0E	
LX2031	0E	
LX2038	0E	
LX2044	00	0D
LX2047	00	0D
LX2048	00	0D
LX2060	00	0D
LX2084	00	0D
LX2087	00	0D
LX2088	00	0D
LZ ZOOM		
LPW8	00	0D
BPM	00	0D
LX2020	0E	
LP1	00	0D
LP2	00	0D
LP4	00	0D
LP230		
LP260	0E	
LX2044-ZE3	00	0D

CONFIDENTIAL-PROPRIETARY INFORMATION. THE INFORMATION HEREIN IS PROTECTED UNDER COPYRIGHT AND IS OF A PROPRIETARY NATURE AND IS SUBMITTED IN CONFIDENCE FOR USE BY OUR CLIENTS ONLY. UNAUTHORIZED REPRODUCTION, PUBLICATION, DISTRIBUTION OR DISSEMINATION IN WHOLE OR IN PART, IS EXPRESSLY PROHIBITED. THE INFORMATION CONTAINED HEREIN IS AND REMAINS THE PROPERTY OF LIGHTING SERVICES INC AND RECEIPT OR POSSESSION OF THIS INFORMATION CONFERS NO RIGHT IN OR LICENSE TO USE OR TO DISCLOSE TO OTHERS THE SUBJECT MATTER CONTAINED HEREIN FOR ANY BUT AUTHORIZED PURPOSES. COPYRIGHT LIGHTING SERVICES INC ALL RIGHTS RESERVED.

Title	Type	Description					
LSI FITTING LAYOUT		LSI FITTING LAYOUT					
Drawn by VA	Date 10/24/17	Checked by JC	Date 11/01/17	Scale NONE	Sheet 3 OF 4	Drawing No. SK-00137	Rev K



Fixture	TRAILING EDGE (5%) [TE]		0-10V (0.1%) [10] ED INTEGRAL (0.1%) [ED]	
	2G	3G	5A	5B
LX2030			5A	5B
LX2031			5A	5B
LX2038			5A	5B
LX2044	2G	3G	5A	5B
LX2047	2G	3G	5A	5B
LX2048			5A	5B
LX2060	2G	3G	5A	5B
LX2084	2G	3G	5A	5A
LX2087	2G	3G	5A	5A
LX2088			5A	5A
LZ ZOOM			5B	5B
LPW8	2G	3G	5A	5B
BPM	2G	3G	5A	5B
LX2020			5A	5B
LP1	2G	3G	5A	5B
LP2	2G	3G	5A	5A
LP4	2G	3G	5A	5A
LP230			5B	5B
LP260			5A	5B
LX2044-ZE3	2G	3G	5A	5B

CONFIDENTIAL-PROPRIETARY INFORMATION. THE INFORMATION HEREIN IS PROTECTED UNDER COPYRIGHT AND IS OF A PROPRIETARY NATURE AND IS SUBMITTED IN CONFIDENCE FOR USE BY OUR CLIENTS ONLY. UNAUTHORIZED REPRODUCTION, PUBLICATION, DISTRIBUTION OR DISSEMINATION IN WHOLE OR IN PART, IS EXPRESSLY PROHIBITED. THE INFORMATION CONTAINED HEREIN IS AND REMAINS THE PROPERTY OF LIGHTING SERVICES INC AND RECEIPT OR POSSESSION OF THIS INFORMATION CONFERS NO RIGHT IN OR LICENSE TO USE OR TO DISCLOSE TO OTHERS THE SUBJECT MATTER CONTAINED HEREIN FOR ANY BUT AUTHORIZED PURPOSES. COPYRIGHT LIGHTING SERVICES INC ALL RIGHTS RESERVED.

Title		Type	Description				
			<i>LSI FITTING LAYOUT</i>				
Drawn by	Date	Checked by	Date	Scale	Sheet	Drawing No.	Rev
VA	10/24/17	JC	11/01/17	NONE	4 OF 4	SK-00137	K