

UNITRACK HOUSING • SPECIFICATIONS

GENERAL UniTrack Housing shall support Track with fewer mounting positions when large spans of track are needed which cannot be supported at normal four foot intervals. In addition, the extra compartment shall be able to be used for a multitude of electrical or mechanical purposes. UniTrack Housings shall have a twelve year warranty from date of shipment.

MECHANICAL UniTrack Housing shall be constructed of .105 thick (3mm) extruded aluminum with overall height of 3.31 (84mm) and overall width of 2.03 (52mm). UniTrack Housing shall accept both one and two circuit Track.

UniTrack Housing shall have two separate compartments. One compartment shall accept Track and shall be supplied with all necessary hardware for mounting Track into UniTrack Housing. Non-track compartment will accept all Unistrut type hardware suitable for use with P1000™ type channel in 7/8 inch (22mm) slot, as well as raceway covers for enclosing all wiring.

UniTrack Housings shall be available in nominal 4 foot (1.2m), 8 foot (2.4m), and 12 foot (3.7m) lengths, in Silver, Black, and White high temperature baked paint finish. UniTrack Housings shall be field cuttable to any length with a single cut.

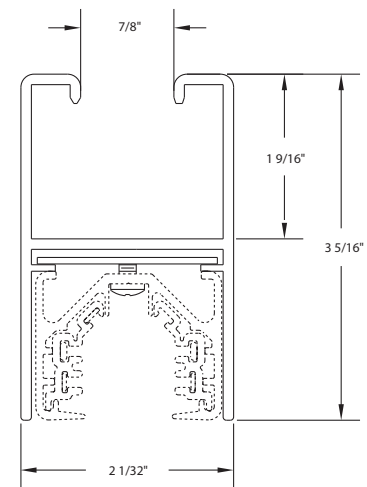
UniTrack Housing System shall have Straight, L, T, and X Joiners as standard components and shall have the ability to be suspended from any surface with 3/8 inch threaded rods (by contractor), rigid stems or cables, through .406 diameter (10mm) pre-punched holes.

ELECTRICAL UniTrack Housings and components shall be UL and CUL listed, CE Certified, and comply with the National Electric Code standards for Lighting Track. UniTrack Housings will be suitable to be used as an electrical raceway for additional electrical, emergency, security, audio, video or data circuits with a maximum capacity of 28 #12 THHN AWG wires, when used with UniTrack Raceway Covers. Raceway Covers for UniTrack Housing System shall be made from .040 inch(1mm) steel available in Black, White, and Silver high temperature baked paint finish.

UniTrack Housings shall be fed through 1/2 (13mm) or 3/4 (22mm) U.S. trade size conduit connector assemblies which can be positioned anywhere along the Non-track side of the UniTrack Housing.

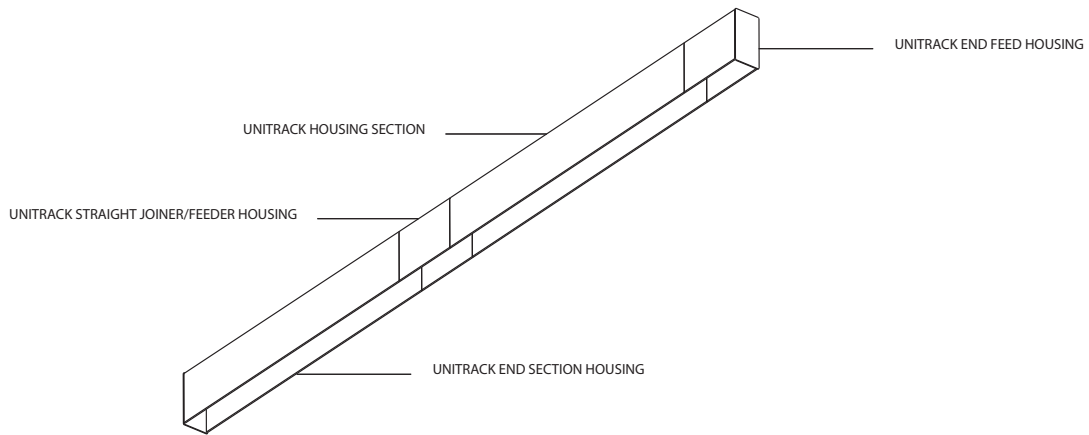
FIXTURE FITTING INTERFACE Lighting Track used in conjunction with UniTrack Housings shall accept GE fiber reinforced fixture fittings which positively lock into track and cannot be energized by integral switch until safety interlock handle is in closed position. Safety interlock shall also prevent fixture fitting removal from track unless the switch is in the "off" position. Upon insertion of fixture fitting into track, grounding connection from fixture fitting to track shall be automatically completed before any electrical contact is made with busbars. When removing fixture fitting from track, the grounding connection shall automatically be disconnected only after the electrical contact with busbars are disconnected. The fixture fitting shall recess into track creating a minimal intrusion into space. Fixture fittings for magnetic low voltage fixtures shall be furnished with fuse of the correct size and ampere rating for the lamp used in order to protect the integral fixture transformer and shall not be fused as a branch circuit.

UniTrack Housing

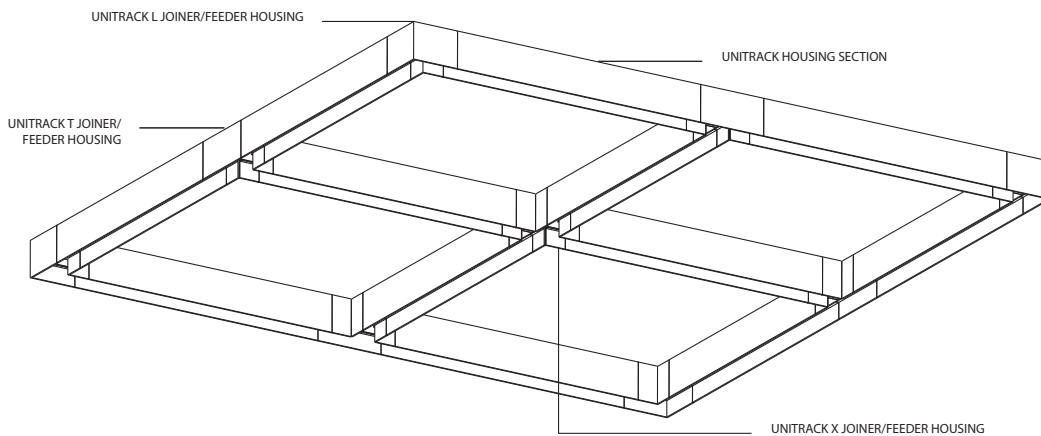


UNITRACK HOUSING • CONFIGURATIONS

Straight Run Configuration



Grid Configuration

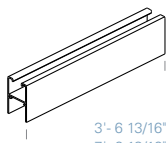


UNITRACK HOUSING • COMPONENTS

Key Features / Applications

UL and CUL listed, CE Certified • IBEW union made at LSI plant in USA • Combination two compartment suspended housing for standard LSI surface track and other mechanical or electrical requirements • Specification grade heavy duty .105 (2.6mm) thick extruded two compartment aluminum track • 4 foot (1.2m), 8 foot (2.4m) and 12 foot (3.7m) field cuttable lengths to match standard surface track lengths complete with mounting hardware for surface track • Black, White, and Silver finishes • Separate housing sections for all LSI Joiner/Feeders (except Flexible Joiner and Straight Mini-Joiner) • Non-track compartment will accept all Unistrut™ hardware for P1000™ type channel (7/8 inch (22mm) slot opening) • UniTrack can be used as a support channel for other electrical and non-electrical items • UniTrack is stronger and requires less support (greater centers on mounting distances) than track alone • Non-track compartment can be used as electrical raceway for emergency, security, audio, video or other circuits (28 #12 THHN AWG capacity).

UniTrack Housing Section

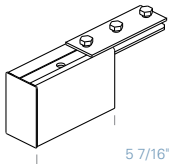


3'- 6 13/16"
7'- 6 13/16"
11'- 6 13/16"

UniTrack Housing Section is an open ended extrusion used to form track runs or configurations utilizing the appropriate joiners for interconnection. UniTrack Housing Section is supplied complete with all required hardware for installation of LSI track. Housing is field cuttable.

Finish	Nominal Length		
	4 Ft	8 Ft	12 Ft
Silver	50070	50071	50072
Black	50270	50271	50272
White	50370	50371	50372

UniTrack End Feed Housing

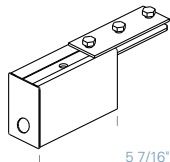


5 7/16"

UniTrack End Feed Housing is used when track run is to be end fed from top. Supplied complete with mounting hole, coupling bars and hardware to interconnect to any Housing Section.

Finish	
Silver	50100
Black	50200
White	50300

UniTrack Conduit End Feed Housing

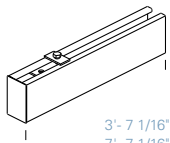


5 7/16"

UniTrack Conduit End Feed Housing is used when track run is to be end fed from side with conduit. Supplied complete with mounting hole, coupling bars and hardware to interconnect to any Housing Section.

Finish	
Silver	50102
Black	50202
White	50302

UniTrack End Section Housing

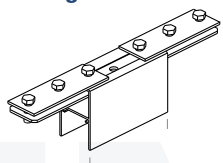


3'- 7 1/16"
7'- 7 1/16"
11'- 7 1/16"

UniTrack End Section Housing is used to end a run. Supplied open on one end for interconnection purposes. Housing End Sections when joined with End Feed Housings will mathematically be the correct size to hold complete 4 foot (1.2m), 8 foot (2.4m) or 12 foot (3.7m) track. UniTrack End Section Housing is supplied complete with all required hardware for installation of LSI track. Housing End Section is field cuttable.

Finish	Nominal Length		
	4 Ft	8 Ft	12 Ft
Silver	50079	50080	50081
Black	50279	50280	50281
White	50379	50380	50381

UniTrack Straight Joiner Housing



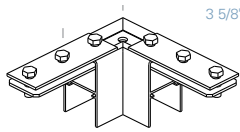
5 3/16"

UniTrack Straight Joiner Housing is used when interconnecting UniTrack Housings in a straight line. Supplied complete with mounting hole, coupling bars and hardware for all Housing Sections.

Finish	
Silver	50104
Black	50204
White	50304

UNITRACK HOUSING • COMPONENTS

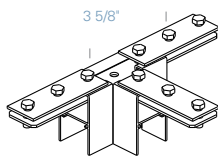
UniTrack L Joiner Housing



UniTrack L Joiner Housing is used when interconnecting two UniTrack Housings at a right angle (90°). Supplied complete with mounting hole, coupling bars and hardware to interconnect all Housing Sections. Accepts 3/8" threaded rod or LSI Single Stainless Steel Cable Support Kit.

Finish	
Silver	50105
Black	50205
White	50305

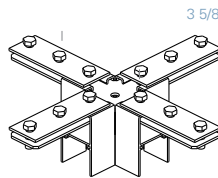
UniTrack T Joiner Housing



UniTrack T Joiner Housing is used when interconnecting three UniTrack Housings in a T configuration. Supplied complete with mounting hole, coupling bars and hardware to interconnect all Housing Sections. Accepts 3/8" threaded rod or LSI Single Stainless Steel Cable Support Kit.

Finish	
Silver	50106
Black	50206
White	50306

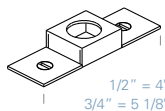
UniTrack X Joiner Housing



UniTrack X Joiner Housing is used when interconnecting four UniTrack Housings in an X configuration. Supplied complete with mounting hole, coupling bars and hardware to interconnect all Housing Sections. Accepts 3/8" threaded rod or LSI Single Stainless Steel Cable Support Kit.

Finish	
Silver	50109
Black	50209
White	50309

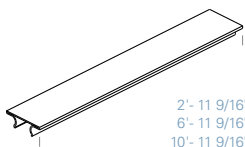
UniTrack Conduit Connector



UniTrack 1/2" or 3/4" Conduit Connector is used for feeding anywhere along the length of the Housing Section. Supplied complete with hardware for fastening to Housing Section.

Finish	1/2"	3/4"
	Silver	50123
Black	50223	50201
White	50323	50301

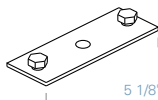
UniTrack Raceway Cover



UniTrack Raceway Cover is a snap in steel cover that creates a raceway for running additional wires in one of the compartments of the Housing Section. Raceway Cover is field cuttable.

Finish	Nominal Length		
	4 Ft	8 Ft	12 Ft
Silver	50165	50166	50167
Black	50265	50266	50267
White	50365	50366	50367

UniTrack Mounting Kit



UniTrack Mounting Kit for suspending UniTrack Housing Sections from locations other than End or Joiner Housings. Kit supplied with .406 diameter mounting holes and hardware for fastening anywhere along the length of Housing Section. Accepts 3/8" threaded rod or LSI Single Stainless Steel Cable Support Kit.

Finish	
Silver	50173
Black	50273
White	50373

UniTrack Housing End Cap



UniTrack Housing End Cap is used when needed for mechanically ending an open end of housing after cutting.

Finish	
Silver	50103
Black	50203
White	50303

UniTrack Closure Cover Kit



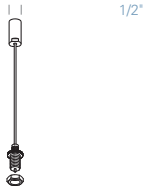
UniTrack Closure Cover Kit is used in conjunction with UniTrack Conduit Connector, Hang Straight stem mounting kit and stainless steel cable mounting kit in order to isolate feed point wiring from the rest of the UniTrack Raceway.

Finish	
Silver	50107
Black	50207
White	50307

UNITRACK HOUSING • COMPONENTS

Single Stainless Steel Cable Support Kit

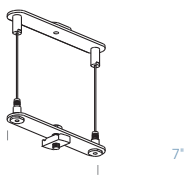
Use single field cuttable cable complete with mounting devices for Unitrack configurations only. Kit mounts into any housing or mounting kit.



Finish		Nominal Length	
		48"	144"
Silver	One & Two Ckt	50111	50113

Dual Stainless Steel Cable Support Kit/ Straight Unitrack Only

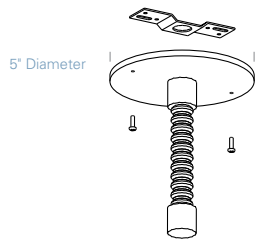
Dual field cuttable cables complete with mounting device for straight run Unitrack installation. Used to keep Unitrack from twisting after fixtures are mounted.



Finish		Nominal Length	
		48"	144"
Silver	One & Two Ckt	50115	50117
Black	One & Two Ckt	50215	50217
White	One & Two Ckt	50315	50317

1/2" Feed Kit for Stainless Steel Cable

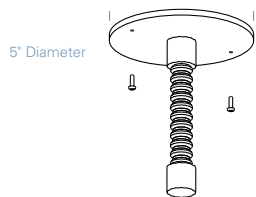
Flexible conduit canopy kit for mounting to standard flush outlet box, supplied complete with flexible conduit for feeding into UniTrack 1/2" conduit connector. Field cuttable. (Max. 9 #12 THHN wires in flexible conduit.)



Finish		Nominal Length			
		18"	48"	96"	144"
Silver	One & Two Ckt	73108	73110	73126	73129
Black	One & Two Ckt	73208	73210	73226	73229
White	One & Two Ckt	73308	73310	73326	73329

3/4" Feed Kit for Stainless Steel Cable

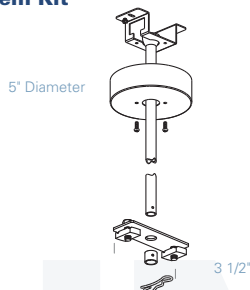
Flexible conduit canopy kit for mounting to standard flush outlet box, supplied complete with flexible conduit for feeding into UniTrack 3/4" conduit connector. Field cuttable. (Max. 16 #12 THHN wires in flexible conduit.)



Finish		Nominal Length	
		48"	144"
Silver	One & Two Ckt	73131	73133
Black	One & Two Ckt	73231	73233
White	One & Two Ckt	73331	73333

Hang Straight Support/Feed Stem Kit

Allows Feed/Support Stem to swivel 45° from vertical in all directions. Field cuttable. (Max. 5 #12 THHN wires in stem)

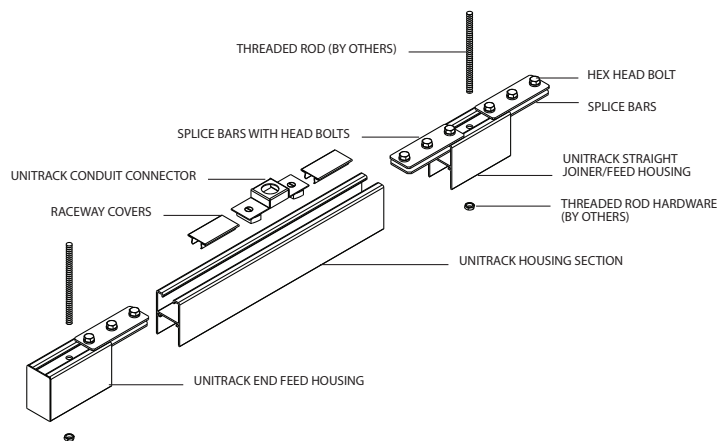


Finish		Nominal Length		
		18"	48"	96"
Silver	One & Two Ckt	50118	50119	50120
Black	One & Two Ckt	50218	50219	50220
White	One & Two Ckt	50318	50319	50320

UNITRACK HOUSING • INSTALLATION

General Notes

When installing or using this track system, basic safety precautions should always be followed, including the following: Read all instructions. Do not install this track in damp or wet locations. Do not install any part of the track system less than five feet from floor. Do not install any fixture assembly closer than six inches from any curtain or similar combustible material. Disconnect electrical power before adding to or changing the configuration of the track. Check with a qualified electrician. Do not attempt to energize anything other than lighting track fixtures on the track. To reduce the risk of fire and electric shock, do not attempt to connect power tools, extension cords, appliances and the like to the track. Install per NEC and local codes. Save these instructions.

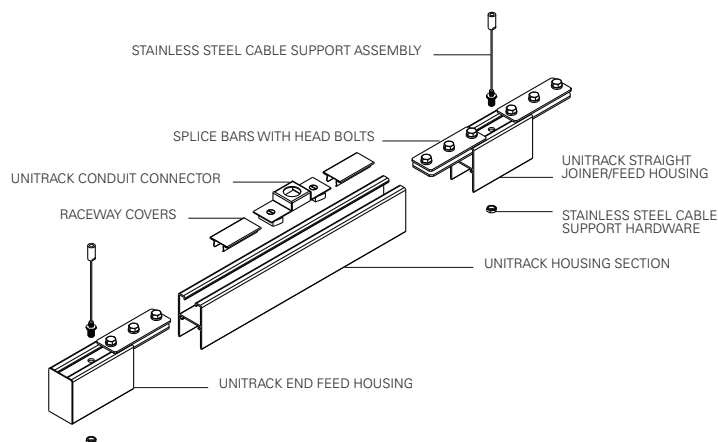


Assembling

Insert End Feed Housing or any Joiner/Feeder Housing completely into UniTrack Housing Section and tighten hex head bolts on the splice bars which align the top of the UniTrack Housings.

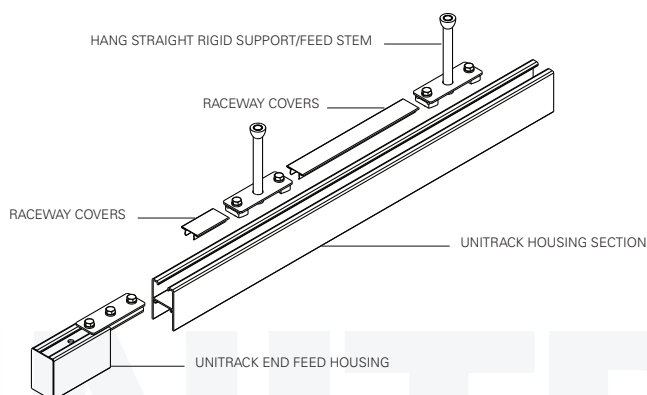
Threaded Rod Mounting

Suspend Housings using 3/8" threaded rod (by others). Threaded rod can be inserted through .406" dia. (10mm) holes provided in all End Feed, End Section, and Joiner Housings or into UniTrack Mounting Kit which can be installed at any point along the UniTrack Housing Section. Note: Non-track compartment of UniTrack™ Housing is compatible with Unistrut P1000™ channel and hardware.



Single Stainless Steel Cable Mounting Kit

Suspend Housings using Single Stainless Steel Cable (ordered separately). The Cable Holders with field cuttable stainless steel cable can be inserted through the .406" dia. (10mm) holes provided in all End Feed, End Section and Joiner Housings or into UniTrack™ Mounting Kit which can be installed at any point along the UniTrack Housing Section. The cable can be easily field cut to adjust height. Note: Non-track compartments of UniTrack Housing is compatible with Unistrut P1000™ channel and hardware.



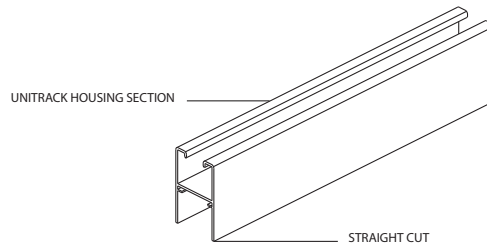
Hang Straight Rigid Support/Feed Stem Mounting Kit

Suspend Housings using 5/8" dia. steel tubing. The Hang Straight Stem can be installed at any point along the UniTrack Housing. The stem is easily field cuttable and has a drill guide sleeve to field drill new hole in stem for steel bow-tie (included). This Hang Straight kit can also be used as a Feed Stem (maximum five (5) #12 THHN wire for two (2) circuit track.) When using this as a Feed Stem, you must use raceway covers. Use Closure Cover Kit to block off a non-feed section. (Not shown).

UNITRACK HOUSING • INSTALLATION

Field Cutting

UniTrack Housings can be easily field cut using a sharp hacksaw or a chop saw with a non-ferrous blade. Cut the aluminum housing with one straight cut to match the length of the previously field cut track. Remove any burrs on the aluminum as this may affect the mechanical connection of components to Housings.



Mounting Data

UniTrack Housing System supports can be mounted on 4 foot (1.2m), 8 foot (2.4m) or 12 foot (3.7m) centers, or any location where a Mounting Kit is used. Use the following chart as a guideline for loading requirements. LSI does not recommend mounting centers greater than 12 foot (3.7m). LSI recommends a minimum of two mounting points per section of UniTrack.

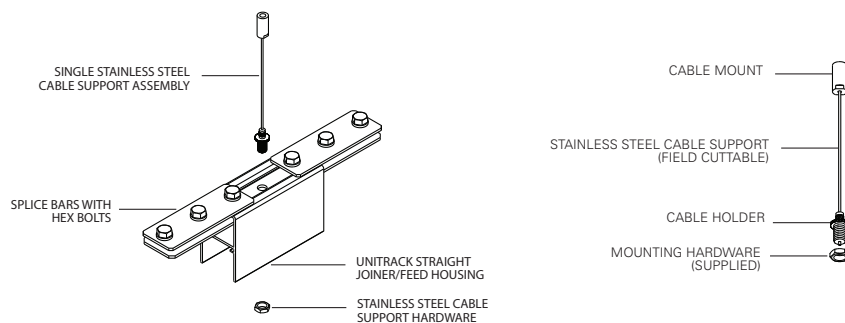
Maximum Uniform Fixture Load per 12' Span of UniTrack

Mounting Centers	4'	8'	12'
Max. Fixture Load	140 lbs	70 lbs.	30 lbs.

Note: UniTrack housing with 2 circuit track is 2 lb./ft.

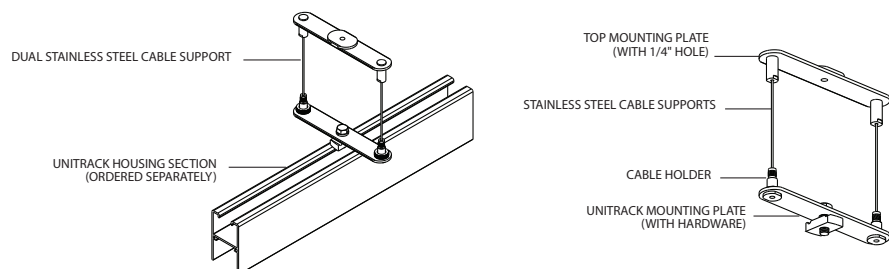
Single Stainless Steel Cable Support Mounting Kit

Do not cut cable prior to assembling. Mount Cable Mount with 1/4-20 hardware (by others), capable of withstanding a 50 lb. pull. Thread the cable through the Cable Mount with ball of Cable bottoming in Cable Mount. Loosen knurled nut on Cable Holder. Thread the cable through the knurled nut and into the Cable Holder and exit out of bottom. Leave excess hanging out of Cable Holder. Tighten knurled nut. Assemble Cable Holder into any Feeder Section of UniTrack. Attach nut and tighten. Once UniTrack has been attached, loosen knurled nut of cable holder and adjust cable to required length. Cut off excess.

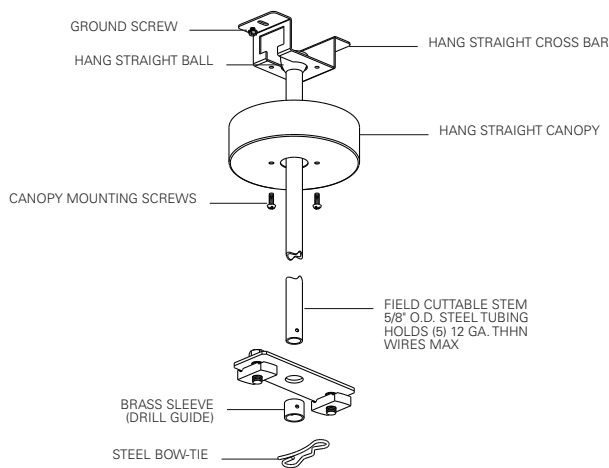


Dual Stainless Steel Cable Support Kit

Use for straight track runs only to prevent track from twisting when fixtures are installed. Do not cut cable prior to assembling. Mount Top Mounting Plate with 1/4" hardware (by others), capable of withstanding a 50 lb. pull. Thread the cable through the Cable Mount with ball of Cable bottoming in Cable Mount. Loosen knurled nut on Cable Holder. Thread the cable through the knurled nut and into the Cable Holder and exit out of bottom. Leave excess hanging out of Cable Holder. Tighten knurled nut. Attach UniTrack Mounting Plate to UniTrack and tighten. Once UniTrack has been attached, loosen knurled nut of cable holder and adjust cable to required length. Cut off excess.



UNITRACK HOUSING • INSTALLATION



Hang Straight Support and Feed Stem Mounting Kit

Feed Stem: Mount hang straight crossbar to junction box in ceiling with hardware (by others) capable of withstanding a 50 lb. pull. To field cut stem, determine the length of the stem desired. Remove steel bow-tie from stem sleeve. Slide sleeve off stem. Separate all components of kit. Cut stem to desired length. Align steel sleeve with end of stem and use as drill guide to drill 3/16" hole, then reassemble. Replace bow-tie and feed wires through stem to six inches (6") beyond hang straight ball. Loosen hang straight ball from stem, this will allow ball to pass through slot on hang straight crossbar. Slide ball through slot, align notch on ball with tab on crossbar. Once in place, turn stem clockwise to tighten in ball. Once Hang Straight Kit is fully assembled and secured, attach UniTrack to UniTrack mounting plate and finish wiring.

Electrical

Non-track compartment can be used for running additional conductors (max. 28 #12 THHN). Install Conduit Connector at any desired location along the UniTrack Housing to accept incoming conductors for energizing track. Conductors are fed through 1/2" or 3/4" UniTrack Conduit Connector and are run to an End Feed Housing or Joiner/Feeder Housing location. Conductors are then run to track End Feed or Joiner/Feeder through pre-punched .812 (20mm) x 2.0 (51mm) slots in Housings and into knock-out in Track End Feed or Joiner/Feeder conduit plate. Raceway covers and/or closure cover kits must be used when running conductors through non-track compartment. Remove the Lexan™ cover from any End Feed or Joiner/Feeder, bring conductors through combination 1/2, 3/4 U.S. trade size knock-out (.875 diameter 22mm, .1.125 diameter 29mm) in conduit plate and attach wires to identified terminal screws.

Additional Circuits

LSI Track has integral wiring channels for six additional #12 THHN wires to create three additional 20 amp circuits with separate neutrals. UniTrack Housings act as raceway covers.

Installing LSI Fixtures

To insert a fixture fitting into the track, the switch must be in the off position, with the handle open. Insert the fixture fitting straight up into the track until it seats evenly, close handle completely, switch on. If using one circuit track, make sure that the brass contacts which protrude from the side of the fixture fittings are inserted facing the copper busbars. If using two circuit track, inserting the fixture fitting in one direction will energize circuit one. Removing and reversing the direction of the fitting will energize circuit two.

