

LP4 • 120/277V • LED • COB • CONTROLTrack COMPATIBLE



This versatile spotlight creates a high intensity shaft of light that is perfect for long-throw applications.

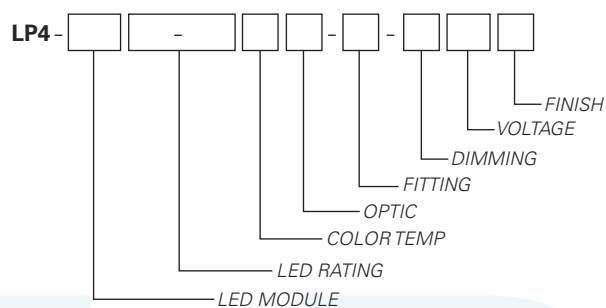
- 10° optic produces 90,000 CBCP with 7500 lumens at 78 watts
- System efficiency up to 81 lumens/watt
- Exceeds ANSI specifications by maintaining extremely tight color consistency over the life of the fixture
- Tested to LM79 and LM80 Protocols
- 50,000 hour life to 70% lumen output, L₇₀ at 95°F max ambient
- 0-10V dimming allows for 2 zones of control on one circuit LSI CONTROLTrack down to 5%
- DMX compatible with dimming below 1%
- Choice of beam spread (interchangeable optics)
- Color Rendering Index (CRI) 80, 90, 98
- Color consistency, 2 MacAdam ellipse
- No UV or IR emissions; no mercury or lead
- On/off safety switch (on LSI CONTROLTrack fitting)
- Field replaceable LED module
- Sturdy aluminum housing
- Toolless vertical and horizontal focusing
- External accessory cartridge
- 36" stainless steel safety cable included
- Finishes: LSI Black, White, and Silver
- Fixture weight: 9 lbs

FIXTURE PART NUMBERS

Please review the **ORDERING INFORMATION** section on the next page as well as the **MOUNTING OPTIONS** on page 3 to create a part number for each fixture that specifies the following:

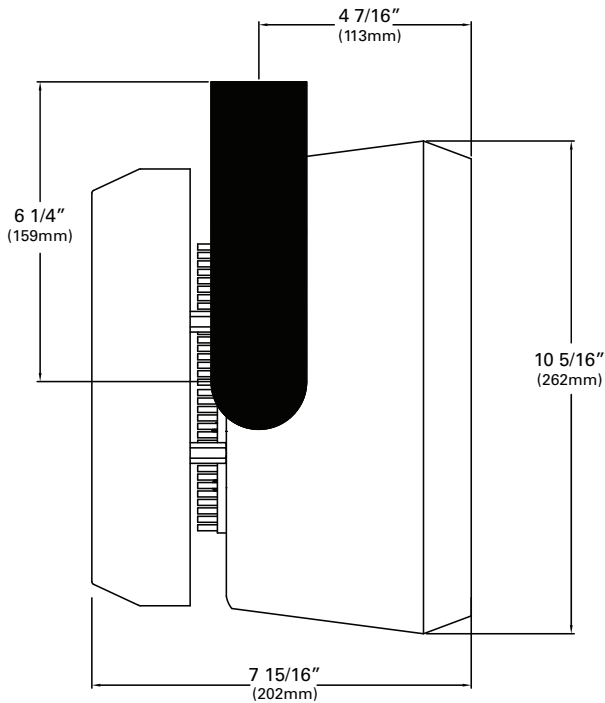
- LED Rating
- Color Temperature
- Optic (mm/beam spread)
- Fitting/Controls (Dimming)
- Voltage
- Finish

PART NUMBER



Example Part Number: **LP4-C1965-903510-CT1-DX120W** is a fixture with a high power, 19mm COB LED, 6500 Lumen/90 CRI/78 Watt LED rating, 3500K Color Temperature, 180mm 10° Optic, CT1 CONTROLTrack fitting with DMX address knobs and DMX compatible control gear, 120V and a White finish.

LP4 • 120/277V • LED • COB • CONTROLTrack COMPATIBLE



ORDERING INFORMATION

Base Fixture Model

- LP4-C19 (19mm COB LED)

LED Rating (Lumens/CRI/Wattage)

- 61-98 = 6100/98/78 65-90 = 6500/90/78
 75-80 = 7500/80/78

Color Temperature

- 27 = 2700K 30 = 3000K
 35 = 3500K 40 = 4000K

Optic

- 10 = 180mm/ 10°* 25 = 180mm/ 25°
 40 = 180mm/ 40° 60 = 180mm/ 60°

*Hood LP4 recommended when using 10° reflector if limited field angle is required

Fitting/Controls (Dimming)

- CT1-10 = CONTROLTrack Fitting & 0-10V (0.1%)
 CT1-DX = CONTROLTrack Fitting & DMX (<1%)

Voltage

- 120 = 120V 230 = 220-240V 277 = 277V

Finish

- B = Black W = White S = Silver

LP4-C19

FIXTURE MODEL

65-90

LED RATING

35

COLOR TEMP

10 -CT1-DX

OPTIC

120

FITTING/ DIMMING

W

VOLTAGE

W

FINISH

Other Options (Consult Factory):

- Custom Finish, RAL palette

DRIVER TYPE (Electronic)

Input Power (A) - 120V	0.65
Input Power (A) - 277V	0.28
Wattage	78
Power Factor - 115V	0.92

Chromaticity Specifications

LED	R _a -CRI	R _f -Fidelity	R _g -Gamut Area
C19	80	83	96

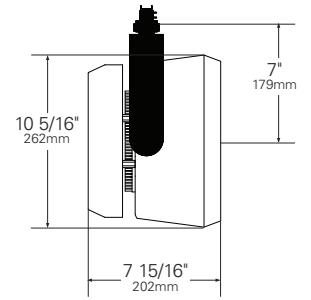
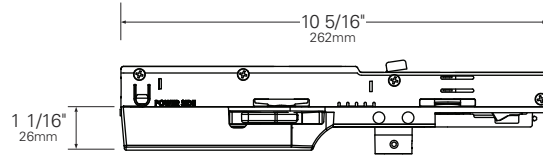
LP4 • MOUNTING OPTIONS

FITTING

SIDE VIEW

PROFILE VIEW

**CT1 CONTROLTrack
Fitting**



LP4 • PERFORMANCE

The performance characteristics of the LP SuperSPOT family of products can be customized based on the LED module and the optic selected.

Each available LED module is defined by four characteristics – the color rendering index (CRI), the correlated color temperature (CCT), the power that it uses (watts), its “available lumens” and beam spread. Note that available lumens is a theoretical value that represents the light output of the module on its own – no fixture or optic attached.

In the LSI part number, the LED module is specified with a letter and a number that immediately follow the product series number. For example, in the part number LP4-C1975-803010-CT1-DX120B, the “**C1975-803010**” represents an LED module with an output of 7500 lumens, a CRI of 80, a power usage of 78 watts, color temperature of 3000K and a 10-Degree beam.

Additional parameters, such as Center Beam Candle Power (CBCP), Delivered Lumens, and Efficiency (Lumens per Watt) are all shown in a table that is organized by LED module and optic combination.

CBCP = Center Beam Candle Power				
LED Module	Optic (Reflector)			
Lumens/CRI/Wattage	10°	25°	40°	60°
7500/80/78	90,000	18,900	10,800	6,800
6500/90/78	78,000	16,380	9,360	5,900
6100/98/78	73,200	15,370	8,780	5,530

Delivered Lumens				
LED Module	Optic (Reflector)			
Lumens/CRI/Wattage	10°	25°	40°	60°
7500/80/78	6,500	6,500	6,500	6,500
6500/90/78	5,600	5,600	5,600	5,600
6100/98/78	5,300	5,300	5,300	5,300

Efficiency = Lumens Per Watt				
LED Module	Optic (Reflector)			
Lumens/CRI/Wattage	10°	25°	40°	60°
7500/80/78	83	83	83	83
6500/90/78	72	72	72	72
6100/98/78	68	68	68	68

LED Module Lumens/CRI/Wattage SKU Code	
Nominal Fixture Power (+/- 20%), Watts	78
Maximum Inrush Current Amps	10
Minimum Power Factor	0.92

Inrush current is instantaneous current drawn by the LED only when fixture is initially powered on or instantaneously changed from full dim to full bright. For more details see Dimming Application Sheet, IS-0119.

LP4 • PHOTOMETRIC DATA

PHOTOMETRIC DATA

LED Rating: 75-80

LP4 Series

Beam Spread (minimum) **10°**
 Center Beam Candlepower **90,000**
 CRI **80**

LP4 Series

Beam Spread (minimum) **25°**
 Center Beam Candlepower **18,900**
 CRI **80**

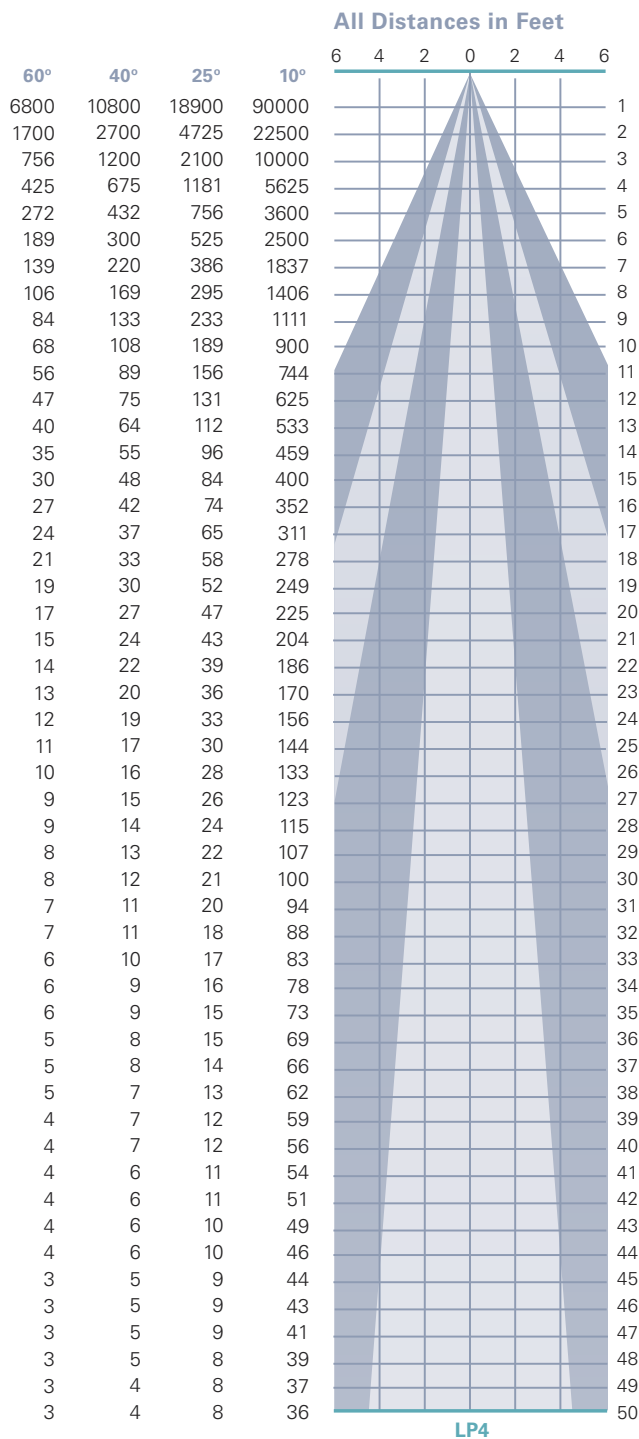
LP4 Series

Beam Spread (minimum) **40°**
 Center Beam Candlepower **10,800**
 CRI **80**

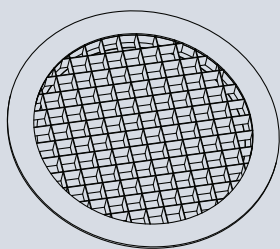
LP4 Series

Beam Spread (minimum) **60°**
 Center Beam Candlepower **6,800**
 CRI **80**

All Max. Footcandles at 0° Beam Axis

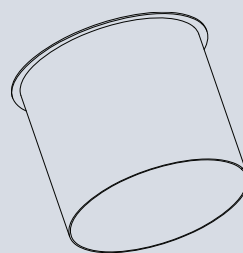


LP4 • ACCESSORIES



LOUVER LP4B

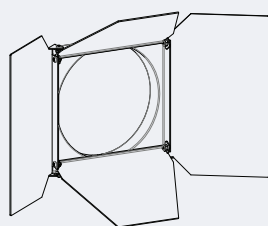
45° cutoff is obtained by using cells that are 1/2" x 1/2" x 1/2" deep to control spill light and glare.



HOOD LP4B

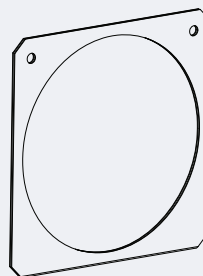
6 inch deep hood. Interior flocking included to control spill light and glare. Black finish.

Recommended when using 10° reflector if limited field angle is required.



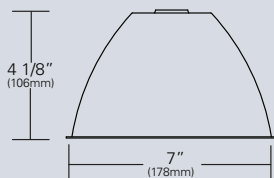
BARNDOOR LP4B

4-way individually adjustable blades for control of light beam. Black finish.



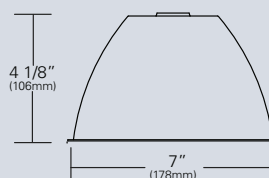
GEL HOLDER LP4

Can hold up to 3 gels in holder.



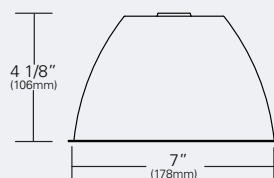
LP4-10-REF-CLR* (180MM/10°)

Faceted aluminum optic. Tool-less, twist and lock installation. Specular finish.



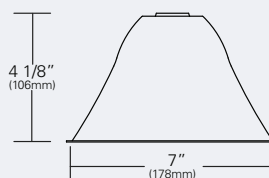
LP4-25-REF-CLR (180MM/25°)

Faceted aluminum optic. Tool-less, twist and lock installation. Specular finish.



LP4-40-REF-CLR (180MM/40°)

Faceted aluminum optic. Tool-less, twist and lock installation. Specular finish.



LP4-60-REF-CLR (180MM/60°)

Faceted aluminum optic. Tool-less, twist and lock installation. Specular finish.

LP4 • GELS

As the foremost innovator in accent lighting, LSI offers a complete range of pre-cut Gels to modify the spread and color of light.



LP4 SPREAD GELS

Size: LP4 (8-7/8 x 8-7/8 Square)	Spread Gel
GEL-L1-LP4	1° Spread Gel
GEL-L5-LP4	5° Spread Gel
GEL-L10-LP4	10° Spread Gel
GEL-L20-LP4	20° Spread Gel
GEL-L30-LP4	30° Spread Gel
GEL-L40-LP4	40° Spread Gel
GEL-L60-LP4	60° Spread Gel
GEL-L80-LP4	80° Spread Gel
GEL-L30X5-LP4	30° by 5° Spread Gel
GEL-L40X1-LP4	40° by 1° Spread Gel
GEL-L60X1-LP4	60° by 1° Spread Gel
GEL-L60X10-LP4	60° by 10° Spread Gel
GEL-L75X45-LP4	75° by 45° Spread Gel
GEL-L90X60-LP4	90° by 60° Spread Gel
GEL-R101-LP4	Beam Softener

LP4 COLOR GELS

Size: LP4 (8-7/8 x 8-7/8 Square)	Gel Color	Size: LP4 (8-7/8 x 8-7/8 Square)	Gel Color
GEL-R2-LP4	Bastard Amber	GEL-R312-LP4	Canary
GEL-R7-LP4	Pale Yellow	GEL-R331-LP4	Shell Pink
GEL-R12-LP4	Straw	GEL-R383-LP4	Sapphire Blue
GEL-R13-LP4	Straw Tint	GEL-R397-LP4	Pale Grey
GEL-R14-LP4	Medium Straw	GEL-R2001-LP4	Storaro Red
GEL-R21-LP4	Golden Amber	GEL-R2004-LP4	Storaro Green
GEL-R25-LP4	Orange Red	GEL-R2009-LP4	Storaro Violet
GEL-R26-LP4	Light Red	GEL-R3202-LP4	Full Blue
GEL-R27-LP4	Medium Red	GEL-R3204-LP4	Half Blue
GEL-R57-LP4	Lavender	GEL-R3206-LP4	Third Blue
GEL-R62-LP4	Booster Blue	GEL-R3216-LP4	Eighth Blue (Boosts 3200K to 3300K)
GEL-R71-LP4	Sea Blue	GEL-R3318-LP4	Tough 1/8 Minusgreen
GEL-R72-LP4	Azure Blue	GEL-R3410-LP4	Roscosun (1/8 CTO) (Reduces 5500K to 4900K)
GEL-R91-LP4	Primary Green	GEL-R3441-LP4	Full Straw (CTS)
GEL-R97-LP4	Light Grey	GEL-R3443-LP4	Quarter Straw (CTS)
GEL-R98-LP4	Medium Grey	GEL-R4330-LP4	CalColor 30 Cyan
GEL-R101-LP4	Light Frost	GEL-R4415-LP4	CalColor 15 Green
GEL-R104-LP4	Tough Silk	GEL-R4490-LP4	CalColor 90 Green
GEL-R119-LP4	Lt. Hamburg Frost	GEL-R4860-LP4	CalColor 60 Pink
GEL-R121-LP4	Blue Diffusion	GEL-R4890-LP4	CalColor 90 Pink
GEL-R305-LP4	Rose Gold	GEL-R4930-LP4	CalColor 30 Lavender