

LX2030 • 120/277V • LED • DIM TO WARM • CONTROLTrack COMPATIBLE



Shown with optional
Cross Baffle accessory

These LED Cylinder units offer high functionality in LSI's smallest, sleekest package.

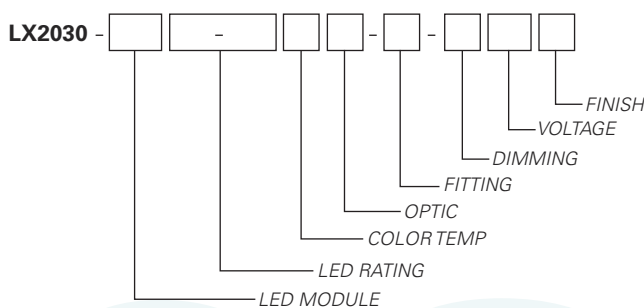
- Designed for a Dim to Warm module up to 14 Watts
- System efficiency up to 41 lumens/watt
- 36,000 hour life to 70% lumen output, L70 at 95°F max ambient
- Halogen mimicking color from 3000K to 2000K
- Field interchangeable optics (16°, 24°, or 40°) modify the beam spread distribution
- Color Rendering Index (CRI) of 92 min. at all dimming settings
- Lumen output: 1000 Lumens
- Proprietary mixing optics for smooth even light
- Tested to LM79 and LM80 Protocols, TM-30 available
- 0-10V dimming allows for 2 zones of control on one circuit CONTROLTrack down to 10%, with convenient zone selection switch
- Lutron EcoSystem compatible with dimming to 0.1% (Lutron Hi-Lume Premier 0.1% EcoSystem LED Driver)
- Lutron EcoSystem features soft-on, fade to black, smooth flicker-free dimming from 0-100% (Meets IEEE 1789 for flicker)
- Accessory holder accepts up to two size-AAA LSI filters and accessories
- Optional Cross Baffle Accessory Holder available
- Sturdy die-cast aluminum housing
- No UV or IR emissions; no mercury or lead
- Self and wrench locking stem for horizontal and vertical focusing
- On/off safety switch (on CONTROLTrack fitting)
- Finishes: LSI Black, White, and Silver
- Fixture weight: 2 lbs
- All modules are field replaceable

FIXTURE PART NUMBERS

Please review the **ORDERING INFORMATION** section on the next page as well as the **MOUNTING OPTIONS** on page 3 to create a part number for each fixture that specifies the following:

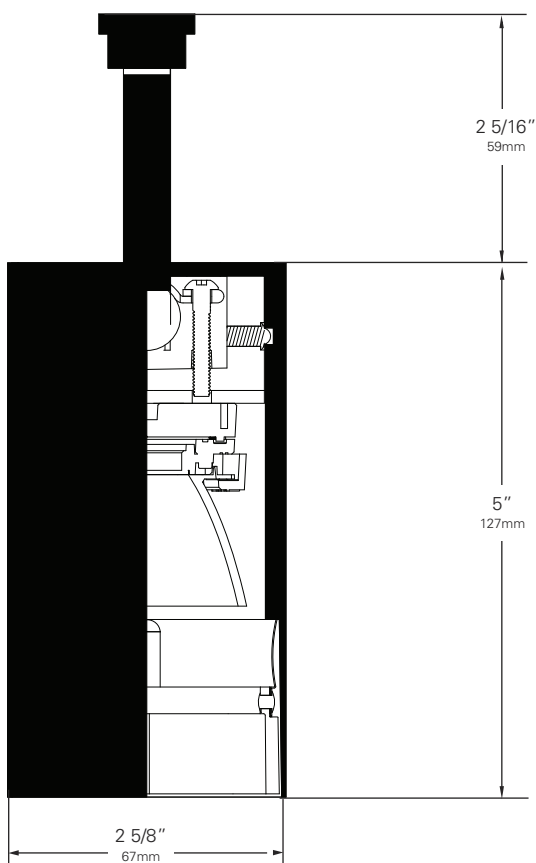
- LED Module
- LED Rating
- Color Temperature
- Optic - mm/beam spread
- Fitting/Controls (Dimming)
- Voltage
- Finish

PART NUMBER



Example Part Number: **LX2030-D0910-92DWP1-CT2-10120W** is a fixture with a Dim to Warm LED module, 1000 Lumen/92 CRI/14 Watt LED rating, 3000° - 2000°K Color Temperature, 50mm 16° Color Mixing Optic, CT2 CONTROL Track fitting 0-10V compatible control gear, 120V and a White finish.

LX2030 • 120/277V • LED • DIM TO WARM • CONTROLTrack COMPATIBLE



DIM TO WARM FIXTURE ORDERING INFORMATION

Base Fixture Model

- LX2030-D09 (Dim to Warm)

LED Rating (Lumens/CRI/Wattage)

- 10-92 = 1000/92/14

Color Temperature

- DW= 3000K to 2000K

Optic

- P1 = 50mm/ 16° Color Mixing
- P2 = 50mm/ 24° Color Mixing
- P4 = 50mm/ 40° Color Mixing

Fitting/Controls (Dimming)

- CT2-10 = CONTROLTrack Fitting & 0-10V (10%)
- CT5-L3 = CONTROLTrack Fitting & Lutron EcoSystem (0.1% soft on/off)

Voltage

- 120 = 120V 230 = 220-240V 277 = 277V

Finish

- B = Black W = White S = Silver

Example Part Number:

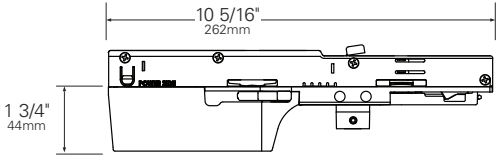
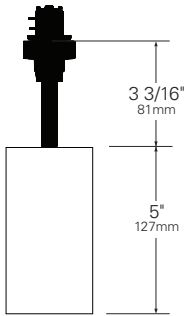
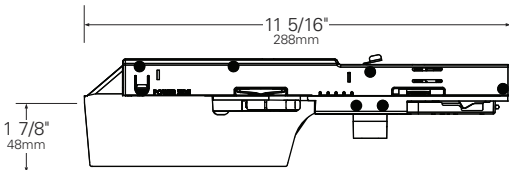
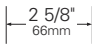
LX2030-D09 **10-92** **DW** **P1 - CT2-10** **120** **W**
FIXTURE MODEL LED RATING COLOR TEMP OPTIC FITTING/DIMMING VOLTAGE FINISH

Other Options (Consult Factory):

- Custom Stems, specify length (4" - 48")
- Custom Finish, RAL palette

Chromaticity Specifications			
LED	R _a -CRI	R _f -Fidelity	R _g -Gamut Area
D09	92	93	104

LX2030 • MOUNTING OPTIONS

FITTING	SIDE VIEW	STEM LENGTH VIEW
<p>CT2 CONTROLTrack Fitting</p>	 <p>10 5/16" 262mm</p> <p>1 3/4" 44mm</p>	 <p>3 3/16" 81mm</p> <p>5" 127mm</p>
<p>CT5 CONTROLTrack Fitting</p>	 <p>11 5/16" 288mm</p> <p>1 7/8" 48mm</p>	 <p>2 5/8" 66mm</p>

LX2030 • PERFORMANCE

The performance characteristics of the Dim to Warm LumeLEX family of products can be customized based on the optic (reflector) selected.

The behavior of the Dim to Warm modules links the color of the light to the dimmed output of the fixture just like a halogen or incandescent source. Therefore the four characteristics defining the color - the color rendering index (CRI), the correlated color temperature (CCT) range, the power that it uses (watts), and its "available lumens" are all linked to the dim setting. Note that available lumens is a theoretical value that represents the light output of the module on its own – no fixture or optic attached. Also note that the CRI of this fixture is a minimum of 92 at any dimming setting.

In the LSI part number, the LED module is specified with a letter and a number that immediately follow the product series number. For example, in the part number LX2030-D0910-92DWP1-CT2-10120B, the "D0910-92DW" represents a Dim to Warm LED module with an output of 1000 lumens, a CRI of 92, a power usage of 14 watts and a color temperature range of 3000K – 2000K that is tied to the dimming setting.

The available optics (reflectors) are characterized by size, beam angle, and in some cases the characteristics of the field angle (narrow or wide). The optic is specified by the two characters that follow the LED designation in the part number. For example, the "P1" in LX2030-D0910-92DWP1-CT2-10120B is a 50mm diameter optic that has a 16-Degree beam.

Additional parameters, such as Center Beam Candle Power (CBCP), Delivered Lumens, and Efficiency (Lumens per Watt) are all shown in a table that is organized by LED module and optic combination

CBCP = Center Beam Candle Power			
LED Rating	Optic (Reflector)		
Lumens/CRI/Wattage	P1	P2	P4
1000/92/14	6210	3070	1530

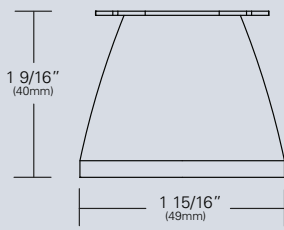
Delivered Lumens			
LED Rating	Optic (Reflector)		
Lumens/CRI/Wattage	P1	P2	P4
1000/92/14	560	580	570

Efficiency = Lumens Per Watt			
LED Rating	Optic (Reflector)		
Lumens/CRI/Wattage	P1	P2	P4
1000/92/14	40	41	41

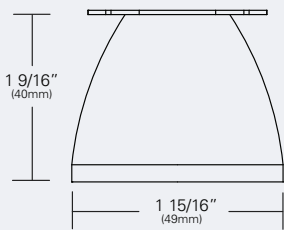
Absolute range of values are +/- 10% of typical value, and are for all color temperatures

LED Rating Lumens/CRI/Wattage SKU Code	1000/92/14 10-92
Nominal Fixture Power (+/- 20%), Watts	14
Maximum Inrush Current Amps	10
Minimum Power Factor	0.92

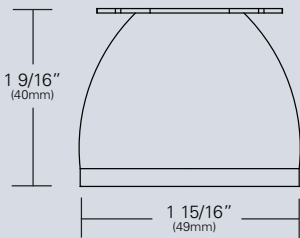
Inrush current is instantaneous current drawn by the LED only when fixture is initially powered on or instantaneously changed from full dim to full bright. For more details see Dimming Application Sheet, IS-0119.

LX2030 • OPTICS**LX-P16-REF-CLR (P1)**
(50mm/16°)

Faceted specular metal optic.
Tool-less twist and lock
installation. Aluminized finish.

**LX-P24-REF-CLR (P2)**
(50mm/24°)

Faceted specular metal optic.
Tool-less twist and lock
installation. Aluminized finish.

**LX-P40-REF-CLR (P4)**
(50mm/40°)

Faceted specular metal optic.
Tool-less twist and lock
installation. Aluminized finish.

LX2030 • PHOTOMETRIC DATA

LED RATING: 10-92

P1-50mm DIA Optic

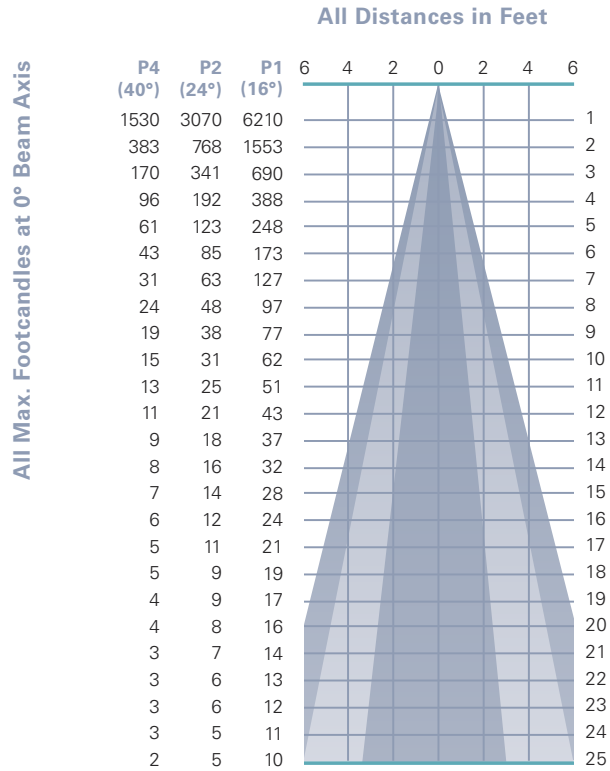
Beam Spread (minimum) **16°**
 Center Beam Candlepower **6210**
 CRI **92**

P2-50mm DIA Optic

Beam Spread (minimum) **24°**
 Center Beam Candlepower **3070**
 CRI **92**

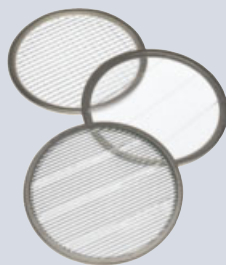
P4-50mm DIA Optic

Beam Spread (minimum) **40°**
 Center Beam Candlepower **1530**
 CRI **92**



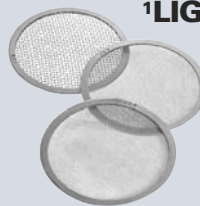
Photometric Data based on LED Rating: 10-92 (1000 Lumens/92CRI/14watts)

LX2030 • ACCESSORIES



SPREAD LENSES AND BEAM SOFTENER

No.	Description	% of Light Transmission
AAA990	Spread Lens/Clear	83 (5°X 50°)
AAA992	Spread Lens/Clear	85 (5°X 30°)
AAA995	Spread Lens/Clear	83 (50°X 50°)
AAA996	Spread Lens/Clear	86 (45°X 50°)
AAA998	Beam Softener/Clear	80 (45°X 45°)



¹LIGHT BLOCKING SCREENS AAA

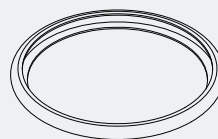
Stainless steel mesh screens used alone or in combinations will block from approximately 20% to 90% of the transmitted light without changing color temperature of the light.

No.	% of Light Blocked
AAA801S	20
AAA802S	30
AAA803S	40



LOUVER HEX AAAB

1/8" thick Hexcell black metal louver used for thin profile. Black finish.



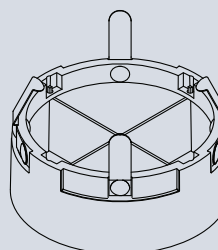
BACKER RING AAAB

Aluminum ring to hold thin film gels when no other size AAA accessories are being used. Black finish.



LX2031FR WALL WASH CYLINDER HOUSING

which includes slash front, accessory cartridge, spread gel (75° x 45°) and kicker reflector (for use with 40° optic only).



CROSS BAFFLE LX2030

Controls spill light and glare. Capable of holding up to (2) additional AAA-size accessories. Black finish.

1. Figures vary based upon LED module/optic being used and relationship of screen(s) to LED module/optic and to each other.

LX2030 • GELS

As the foremost innovator in accent lighting, LSI offers a complete range of pre-cut Gels to modify the spread and color of light for the LumeLEX LED Series.



LumeLEX® SPREAD GELS (FOR LumeLEX® 2030 ONLY)

Size: AA (76 mm diameter)	Spread Gel
GEL-L1- AAA	1° Spread Gel
GEL-L5- AAA	5° Spread Gel
GEL-L10- AAA	10° Spread Gel
GEL-L20- AAA	20° Spread Gel
GEL-L30- AAA	30° Spread Gel
GEL-L40- AAA	40° Spread Gel
GEL-L60- AAA	60° Spread Gel
GEL-L80- AAA	80° Spread Gel
GEL-L30X5- AAA	30° by 5° Spread Gel
GEL-L40X1- AAA	40° by 1° Spread Gel
GEL-L60X1- AAA	60° by 1° Spread Gel
GEL-L60X10- AAA	60° by 10° Spread Gel
GEL-L75X45- AAA	75° by 45° Spread Gel
GEL-L90X60- AAA	90° by 60° Spread Gel
GEL-R101- AAA	Beam Softener

*Backer Ring "AAAB" required when no other "AAA" Accessories are being used.