

LX2060 • 120/277V • LED • DIM TO WARM



Elegant fixed downlight designed specifically for the most demanding architecture applications.

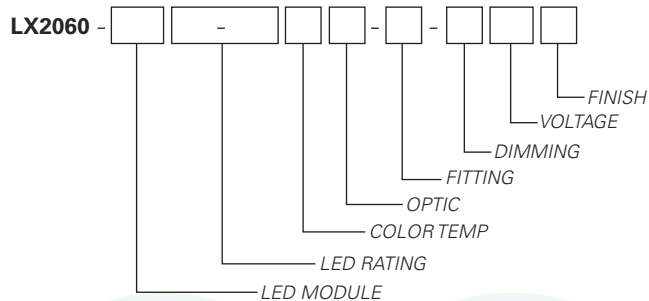
- Designed for a Dim to Warm module up to 32 Watts
- Natural dimming that approximates the black body curve
- System efficiency up to 49 lumens/watt
- 36,000 hour life to 70% lumen output, L70 at 95°F max ambient
- Halogen mimicking color from 3000°K to 2000°K
- Color Rendering Index (CRI) of 92 min. at all dimming settings
- Color Fidelity (R_f) 92
- Gamut Area Index (R_g) 102
- Lumen output: 2500 Lumens
- Proprietary mixing optics for smooth even light
- Tested to LM79 and LM80 Protocols, TM-30 available
- Hidden integral electronic driver compatible with various dimmers down to 5%
- Field interchangeable optics (20°- 50°) modify the beam spread distribution
- Accessory holder accepts up to two size-A LSI filters and accessories
- Finishes: LSI Black, White, and Silver
- Fixture weight: 6 lbs
- All modules are field replaceable

FIXTURE PART NUMBERS

Please review the **ORDERING INFORMATION** section on the next page as well as the **MOUNTING OPTIONS** on page 3 to create a part number for each fixture that specifies the following:

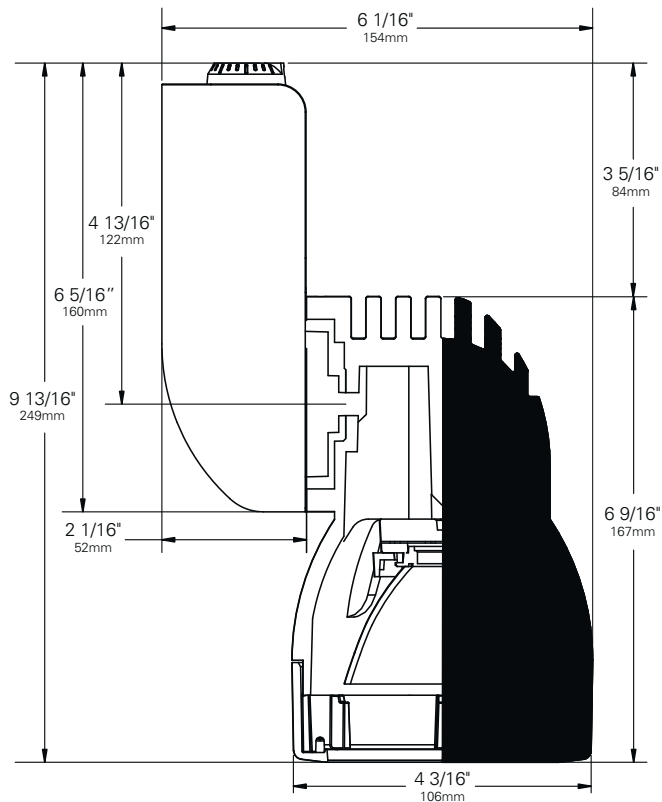
- LED Module
- LED Rating
- Color Temperature
- Optic (mm/beam spread)
- Fitting (Mounting Option)
- Dimming
- Voltage
- Finish

PART NUMBER



Example Part Number: **LX2060-D1525-92DWW2-00-TE120W** is a fixture with a Dim to Warm LED module, 2500 Lumen/92 CRI/37 Watt LED rating, 3000° - 2000°K Color Temperature, 72mm 20° Color Mixing Optic, 00 Track fitting with Trailing Edge group dimming capability, 120V and a White finish.

LX2060 • 120/277V • LED • DIM TO WARM



Chromaticity Specifications

LED	R _a -CRI	R _f -Fidelity	R _g -Gamut Area
D15	92	92	102

DIM TO WARM ORDERING INFORMATION

Base Fixture Model

- LX2060-D15 (Dim to Warm)

LED Rating (Lumens/CRI/Wattage)

- 25-92 = 2500/92/32

Color Temperature

- DW= 3000K to 2000K

Optic

- W2 = 72mm/ 20° Color Mixing
 W3 = 72mm/ 30° Color Mixing
 W4 = 72mm/ 40° Color Mixing
 W5 = 72mm/ 50° Color Mixing

Fitting/Controls (Dimming)

- 00-TE = Track Fitting & Trailing Edge (5%)
 00EF-TE = Security/Worklight Track Fitting & Trailing Edge (5%)
 2G-TE = Universal Fitting & Trailing Edge (5%)
 3G-TE = Pipe Clamp Fitting & Trailing Edge (5%)
 5A-TE = Canopy Fitting & Trailing Edge (5%)
 5A-10 = Canopy Fitting & 0-10V (10%)

(Coiled Cord is available only with **2G** and **3G** mounting options. Change 2G to **2C** and 3G to **3C**. When a coiled cord is not specified, a straight cord is provided.)

Voltage

- 120 = 120V 230 = 220-240V 277 = 277V

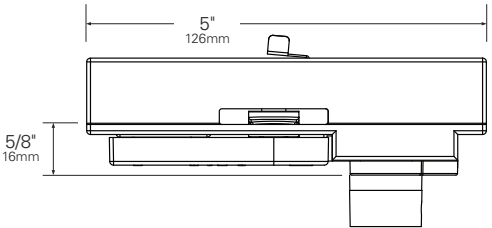
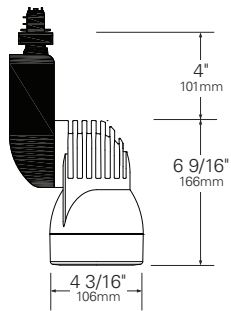
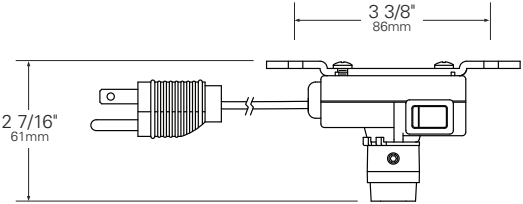
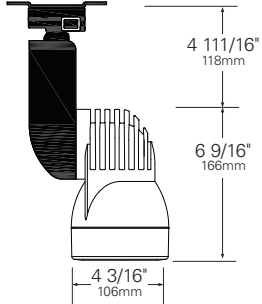
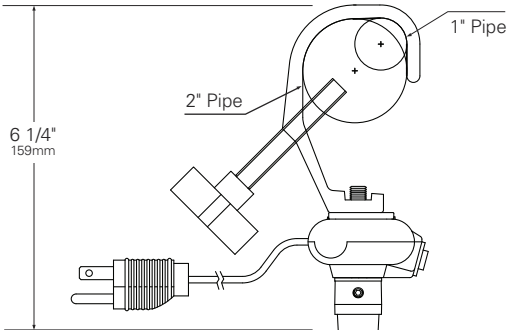
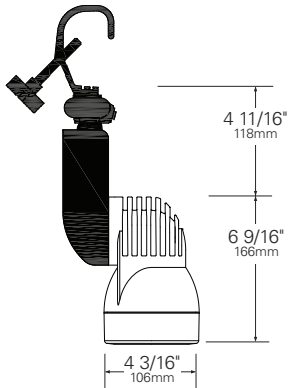
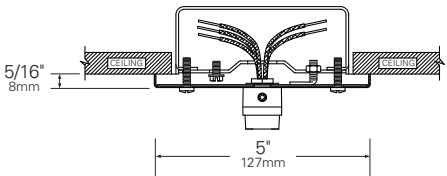
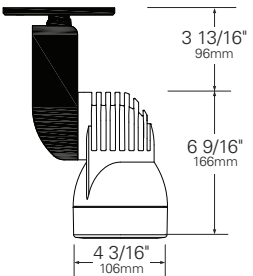
Finish

- B = Black W = White S = Silver

Example Part Number:

LX2060-D15 **25-92** **DW** **W2** - **00-TE** **120** **W**
FIXTURE MODEL LED RATING COLOR TEMP OPTIC FITTING/DIMMING VOLTAGE FINISH

LX2060 • MOUNTING OPTIONS

FITTING	SIDE VIEW	STEM LENGTH VIEW
<p>00 Track Fitting/ 00EF Security/Worklight Fitting</p>		
<p>2G Universal Fitting</p>		
<p>3G Pipe Clamp Fitting</p>		
<p>5A Canopy Fitting with TE and 0-10V Dimming</p>		

LX2060 • PERFORMANCE

The performance characteristics of the Dim to Warm LumeLEX family of products can be customized based on the optic (reflector) selected.

The behavior of the Dim to Warm modules links the color of the light to the dimmed output of the fixture just like a halogen or incandescent source. Therefore the four characteristics defining the color — the color rendering index (CRI), the correlated color temperature (CCT) range, the power that it uses (watts), and its “available lumens” – are linked to the dim setting. Note that available lumens is a theoretical value that represents the light output of the module on its own – no fixture or optic attached. Also note that the CRI of this fixture is a minimum of 92 at any dimming setting.

In the LSI part number, the LED module is specified with a letter and a number that immediately follow the product series number. For example, in the part number LX2060-D1525-92DWW2-00-TE120B, the “D1525-92DW” represents a Dim to Warm LED module with an output of 2500 lumens, a CRI of 92, a power usage of 32 watts and a color temperature range of 3000K – 2000K that is tied to the dimming setting.

The available optics (reflectors) are characterized by size, beam angle, and in some cases the characteristics of the field angle (narrow or wide). The optic is specified by the two characters that follow the LED designation in the part number. For example, the “W2” in LX2060-D1525-92DWW2-00-TE120B is a 70mm diameter optic that has a 20-Degree beam.

Additional parameters, such as Center Beam Candle Power (CBCP), Delivered Lumens, and Efficiency (Lumens per Watt) are all shown in a table that is organized by LED module and optic combination.

CBCP = Center Beam Candle Power				
LED Module	Optic (Reflector)			
Lumens/CRI/Wattage	W2	W3	W4	W5
2500/92/32	9280	5304	3777	2894

Delivered Lumens				
LED Module	Optic (Reflector)			
Lumens/CRI/Wattage	W2	W3	W4	W5
2500/92/32	1597	1530	1548	1648

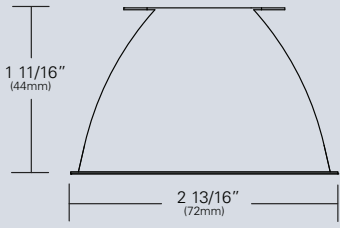
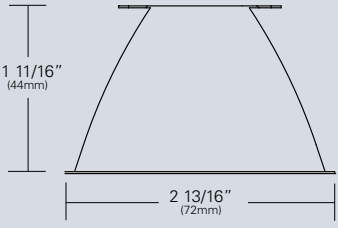
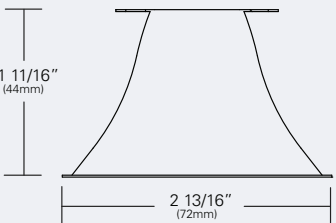
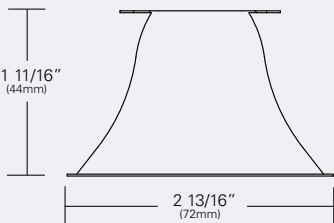
Efficiency = Lumens Per Watt				
LED Module	Optic (Reflector)			
Lumens/CRI/Wattage	W2	W3	W4	W5
2500/92/32	50	48	48	52

Absolute range of values are +/- 10% of typical value, and are for all color temperatures

LED Module Lumens/CRI/Wattage SKU Code	2500/92/32 25-92
Nominal Fixture Power (+/- 20%), Watts	32
Maximum Inrush Current Amps	10
Minimum Power Factor	0.92

Inrush current is instantaneous current drawn by the LED only when fixture is initially powered on or instantaneously changed from full dim to full bright. For more details see Dimming Application Sheet, IS-0119.

LX2060 • OPTICS

 <p>LX-W20-REF-CLR (W2) (72mm/20°) Faceted reflectively coated metal optic. Tool-less twist and lock installation. Aluminized finish.</p>	 <p>LX-W30-REF-CLR (W3) (72mm/30°) Faceted reflectively coated metal optic. Tool-less twist and lock installation. Aluminized finish.</p>
 <p>LX-W40-REF-CLR (W4) (72mm/40°) Faceted reflectively coated metal optic. Tool-less twist and lock installation. Aluminized finish.</p>	 <p>LX-W50-REF-CLR (W5) (72mm/50°) Faceted reflectively coated metal optic. Tool-less twist and lock installation. Aluminized finish.</p>

LX2060 • PHOTOMETRIC DATA

LED RATING: 25-92

W2-72mm DIA Optic
 Beam Spread (minimum) **20°**
 Center Beam Candlepower **9280**
 CRI **92**

W3-72mm DIA Optic
 Beam Spread (minimum) **30°**
 Center Beam Candlepower **5304**
 CRI **92**

W4-72mm DIA Optic
 Beam Spread (minimum) **40°**
 Center Beam Candlepower **3777**
 CRI **92**

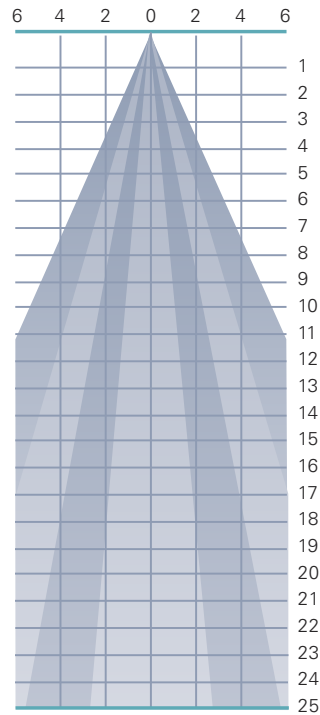
W5-72mm DIA Optic
 Beam Spread (minimum) **50°**
 Center Beam Candlepower **2894**
 CRI **92**

LED RATING: 25-92

All Max. Footcandles at 0° Beam Axis

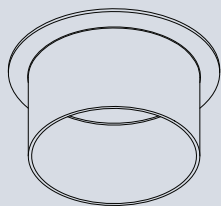
	W5 (50°)	W4 (40°)	W3 (30°)	W2 (20°)
2894	3777	5304	9280	
724	944	1326	2320	
322	420	589	1031	
181	236	332	580	
116	151	212	371	
80	105	147	258	
59	77	108	189	
45	59	83	145	
36	47	65	115	
29	38	53	93	
24	31	44	77	
20	26	37	64	
17	22	31	55	
15	19	27	47	
13	17	24	41	
11	15	21	36	
10	13	18	32	
9	12	16	29	
8	10	15	26	
7	9	13	23	
7	9	12	21	
6	8	11	19	
5	7	10	18	
5	7	9	16	
5	6	8	15	

All Distances in Feet



Photometric Data based on LED Rating: 25-92 (2500 Lumens/92CRI/32watts)

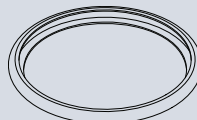
LX2060 • ACCESSORIES



HOOD-INT-LX60-X

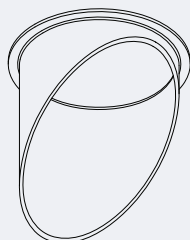
2" deep hood.

Specify finish as follows:
HOOD-INT-LX60-B (BLACK)
HOOD-INT-LX60-W (WHITE)
HOOD-INT-LX60-S (SILVER)



BACKER RING AB

Aluminum ring to hold gel when no other size A accessories are being used. Black finish.



HOOD-ANG-LX60-X

2" deep angled hood.

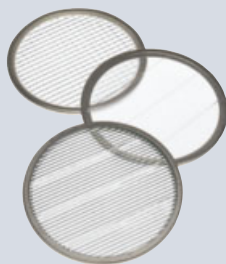
Specify finish as follows:
HOOD-ANG-LX60-B (BLACK)
HOOD-ANG-LX60-W (WHITE)
HOOD-ANG-LX60-S (SILVER)



¹LIGHT BLOCKING SCREENS A

Stainless steel mesh screens used alone or in combinations will block from approximately 20% to 90% of the transmitted light without changing color temperature of the light.

No.	% of Light Blocked
A801S	20
A802S	30
A803S	40



SPREAD LENSES AND BEAM SOFTENER

No.	Description	% of Light Transmission
990	Spread Lens/Clear	83 (5°X 50°)
992	Spread Lens/Clear	85 (5°X 30°)
995	Spread Lens/Clear	83 (50°X 50°)
996	Spread Lens/Clear	86 (45°X 50°)
998	Beam Softener/Clear	80 (45°X 45°)



LOUVER HEX AB

1/8" thick Hexcell black metal louver used for thin profile. Black finish.

1. Figures vary based upon LED Module/Optic being used and relationship of screen(s) to LED Module/Optic and to each other.

LX2060 • GELS

As the foremost innovator in accent lighting, LSI offers a complete range of pre-cut Gels to modify the spread and color of light for the LumeLEX LED Series.



LumeLEX® SPREAD GELS (FOR LumeLEX® 2060)

Size: A (89 mm diameter)	Spread Gel
GEL-L1-A	1° Spread Gel
GEL-L5-A	5° Spread Gel
GEL-L10-A	10° Spread Gel
GEL-L20-A	20° Spread Gel
GEL-L30-A	30° Spread Gel
GEL-L40-A	40° Spread Gel
GEL-L60-A	60° Spread Gel
GEL-L80-A	80° Spread Gel
GEL-L30X5-A	30° by 5° Spread Gel
GEL-L40X1-A	40° by 1° Spread Gel
GEL-L60X1-A	60° by 1° Spread Gel
GEL-L60X10-A	60° by 10° Spread Gel
GEL-L75X45-A	75° by 45° Spread Gel
GEL-L90X60-A	90° by 60° Spread Gel
GEL-R101-A	Beam Softener

* Backer Ring "AB" required to hold gels when no other rimmed "A" accessories are used.