



Rev.	ECO	By	Date	App.	Description
L	7629	JC	03/07/23	CF	RELEASED FOR MARKETING

FITTING	SIDE VIEW	FRONT VIEW
CT1		
CT2		
CT3		
CT4		
CT5		

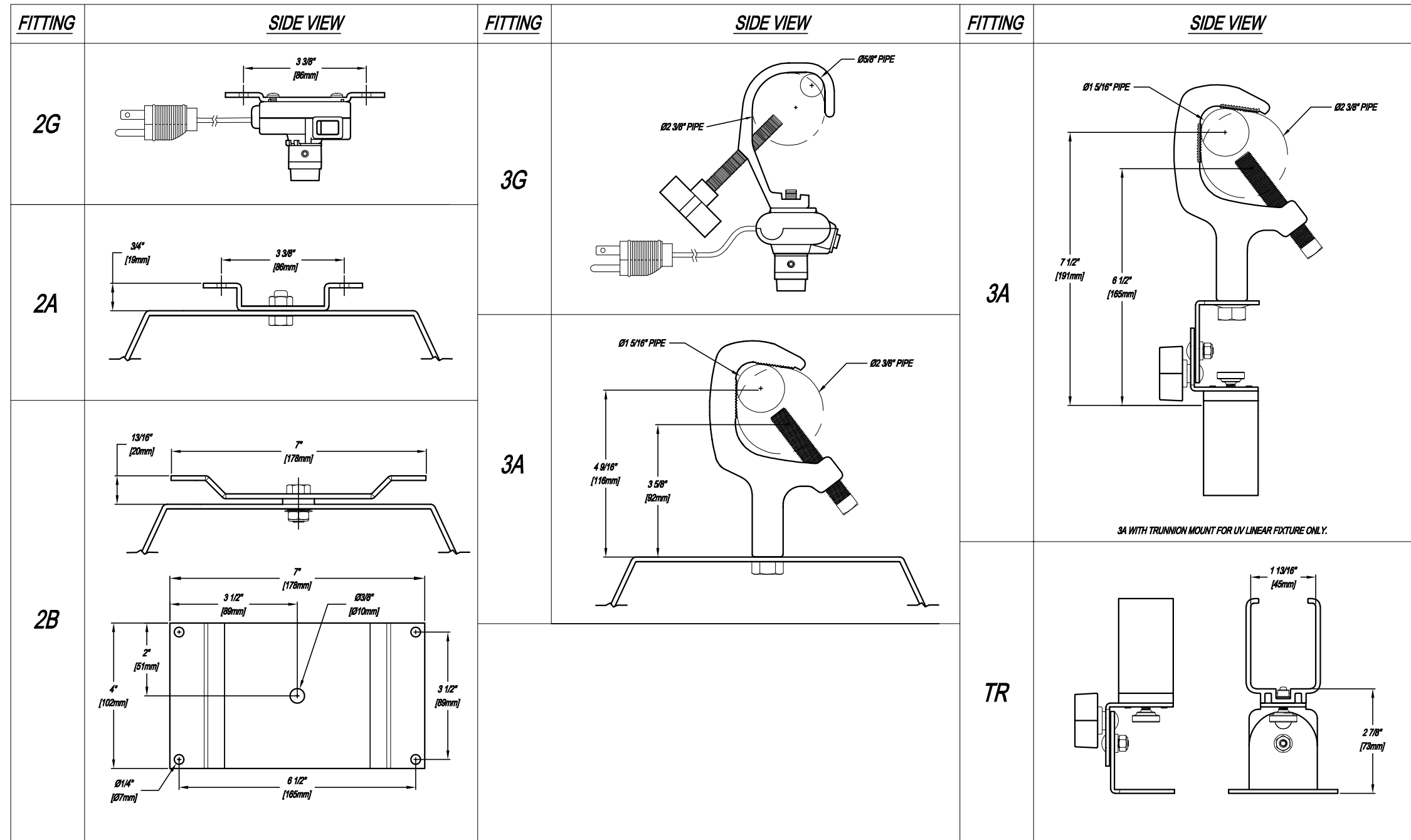
FITTING	SIDE VIEW	FRONT VIEW
PT2		
PT5		
00		
0D		
0E		

Fixture	0-10V (0.1%) [10]	0-10V (10%) [10] (DIM TO WARM ONLY)	DMX (<1%) [DMX]	LUTRON ECOSYSTEM [L3]	PHASE DIMMING [TE]	INTEGRAL DIMMING (0.1%) [ED]	PHASE DIMMING [LE]
LZ ZOOM	CT2		CT4	CT5	PT2	PT5	PT2
BPM	CT1		CT3	CT5	00	0D	00
LP1	CT1		CT3	CT5	00	0D	00
LP2	CT1		CT3	CT1	00	0D	
LP4	CT1		CT1	00	0D		00
LP230	CT2		CT4		PT2	PT5	
LP260	CT2		CT4		0E	PT5	
LPW8	CT1		CT3		00	0D	
UV8							
UV90							
UV94							
UV1560							
UV LINEAR							
LX2020	CT2		CT4	CT5	0E	PT5	
LX2030	CT2	CT2	CT4	CT5	0E	PT5	
LX2030-B18	CT2		CT3	CT5	0E	PT5	
LX2031	CT2		CT4	CT5	0E	PT5	
LX2031-B18	CT2		CT3	CT5	0E	PT5	
LX2038	CT2	CT2	CT4	CT5	0E	PT5	
LX2038-B18	CT2		CT3	CT5	0E	PT5	
LX2044	CT1	CT1	CT3	CT5	00	0D	
LX2044-ZE3	CT1		CT3	CT5	00	0D	
LX2044-B18	CT2		CT3	CT5	0E	PT5	
LX2047	CT1		CT3	CT5	00	0D	
LX2047-B18	CT2		CT3	CT5	0E	PT5	
LX2048	CT1	CT1	CT3	CT5	00	0D	
LX2048-B18	CT2		CT3	CT5	0E	PT5	
LX2060	CT1	CT1	CT3	CT1*	00	0D	
LX2060-B18	CT2		CT3	CT5	0E	PT5	
LX2084	CT1	CT1	CT3	CT1	00	0D	
LX2084-B18	CT2		CT3	CT5	0E	PT5	
LX2087	CT1		CT3	CT1	00	0D	
LX2087-B18	CT2		CT3	CT5	0E	PT5	
LX2088	CT1	CT1	CT3	CT1	00	0D	
LX2088-B18	CT2		CT3	CT5	0E	PT5	

*Power Limited

CONFIDENTIAL-PROPRIETARY INFORMATION. THE INFORMATION HEREIN IS PROTECTED UNDER COPYRIGHT AND IS OF A PROPRIETARY NATURE AND IS SUBMITTED IN CONFIDENCE FOR USE BY OUR CLIENTS ONLY. UNAUTHORIZED REPRODUCTION, PUBLICATION, DISTRIBUTION OR DISSEMINATION IN WHOLE OR IN PART, IS EXPRESSLY PROHIBITED. THE INFORMATION CONTAINED HEREIN IS AND REMAINS THE PROPERTY OF LIGHTING SERVICES INC AND RECEIPT OR POSSESSION OF THIS INFORMATION CONFERS NO RIGHT IN OR LICENSE TO USE OR TO DISCLOSE TO OTHERS THE SUBJECT MATTER CONTAINED HEREIN FOR ANY BUT AUTHORIZED PURPOSES. COPYRIGHT LIGHTING SERVICES INC ALL RIGHTS RESERVED.

Title		Type		Description	
				LSI FITTING LAYOUT	
Drawn by	Date	Checked by	Date	Scale	Sheet
VA	10/24/17	JC	11/01/17	NONE	1 OF 3
Lighting Services Inc 2 Holt Drive Stony Point, NY 10980-1996 Tel: 845-942-2800 www.LightingServicesInc.com				Drawing No.	Rev
				SK-00137	L

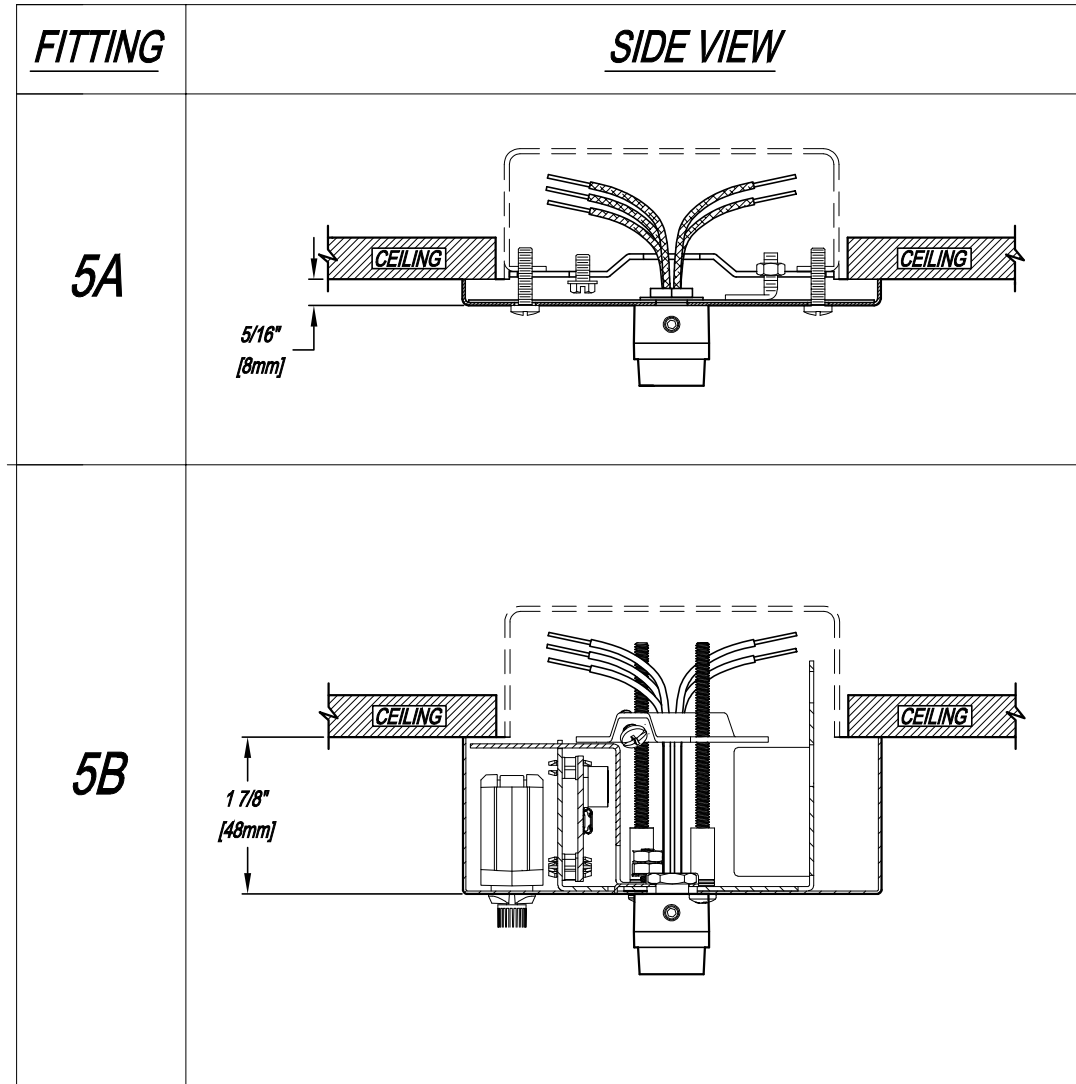


Fixture	0-10V (0.1%) [10]	0-10V (10%) [10] (DIM TO WARM ONLY)	DMX (<1%) [DMX]	LUTRON ECOSYSTEM [L3]	PHASE DIMMING [TE]	INTEGRAL DIMMING (0.1%) [ED]	PHASE DIMMING [LE]
LZ ZOOM							
BPM							
LP1			2/3G		2/3G		2/3G
LP2			2/3G		2/3G		
LP4			2/3G		2/3G		2/3G
LP230							
LP260							
LPW8					2/3G		
UV8			2/3A, 2B		2/3A, 2B		
UV90			2/3A, 2B		2/3A, 2B		
UV94			2/3A, 2B		2/3A, 2B		
UV1560			2/3A, 2B		2/3A, 2B		
UV LINEAR			3A, TR		3A, TR		
LX2020							
LX2030							
LX2030-B18							
LX2031							
LX2031-B18							
LX2038							
LX2038-B18							
LX2044					2/3G		
LX2044-ZE3					2/3G		
LX2044-B18							
LX2047					2/3G		
LX2047-B18							
LX2048							
LX2048-B18							
LX2060					2/3G		
LX2060-B18							
LX2084					2/3G		
LX2084-B18							
LX2087					2/3G		
LX2087-B18							
LX2088							
LX2088-B18							

CONFIDENTIAL-PROPRIETARY INFORMATION. THE INFORMATION HEREIN IS PROTECTED UNDER COPYRIGHT AND IS OF A PROPRIETARY NATURE AND IS SUBMITTED IN CONFIDENCE FOR USE BY OUR CLIENTS ONLY. UNAUTHORIZED REPRODUCTION, PUBLICATION, DISTRIBUTION OR DISSEMINATION IN WHOLE OR IN PART, IS EXPRESSLY PROHIBITED. THE INFORMATION CONTAINED HEREIN IS AND REMAINS THE PROPERTY OF LIGHTING SERVICES INC AND RECEIPT OR POSSESSION OF THIS INFORMATION CONFERS NO RIGHT IN OR LICENSE TO USE OR TO DISCLOSE TO OTHERS THE SUBJECT MATTER CONTAINED HEREIN FOR ANY BUT AUTHORIZED PURPOSES. COPYRIGHT LIGHTING SERVICES INC ALL RIGHTS RESERVED.

Lighting Services Inc 2 Holt Drive Stony Point, NY 10980-1996 Tel: 845-942-2800 www.LightingServicesInc.com

Title	Type	Description
		LSI FITTING LAYOUT
Drawn by	Date	Checked by
VA	10/24/17	JC
Scale	Sheet	Drawing No.
NONE	2 OF 3	SK-00137
		Rev
		L



Fixture	0-10V (0.1%) [10]	0-10V (10%) [10] (DIM TO WARM ONLY)	DMX (<1%) [DMX]	LUTRON ECOSYSTEM [L-3]	PHASE DIMMING [TE]	INTEGRAL DIMMING (0.1%) [ED]	PHASE DIMMING [LE]
LZ ZOOM	5B				5B	5B	5B
BPM	5B				5A	5B	5A
LP1	5B		5A		5A	5B	5A
LP2	5A		5A	5A	5A	5A	
LP4	5A		5A		5A	5A	5A
LP230	5B				5B	5B	
LP260	5B				5A	5B	
LPW8	5B				5A	5B	
UV8							
UV90							
UV94							
UV1560							
UV LINEAR							
LX2020	5B				5A	5B	
LX2030	5B	5A			5A	5B	
LX2030-B18							
LX2031	5B				5A	5B	
LX2031-B18							
LX2038	5B				5A	5B	
LX2038-B18							
LX2044	5B	5A			5A	5B	
LX2044-ZE3	5B				5A	5B	
LX2044-B18							
LX2047	5B				5A	5B	
LX2047-B18							
LX2048	5B	5A			5A	5B	
LX2048-B18							
LX2060	5B	5A		5A	5A	5B	
LX2060-B18							
LX2084	5A	5A		5A	5A	5A	
LX2084-B18							
LX2087	5A			5A	5A	5A	
LX2087-B18							
LX2088	5A	5A		5A	5A	5A	
LX2088-B18							

CONFIDENTIAL-PROPRIETARY INFORMATION. THE INFORMATION HEREIN IS PROTECTED UNDER COPYRIGHT AND IS OF A PROPRIETARY NATURE AND IS SUBMITTED IN CONFIDENCE FOR USE BY OUR CLIENTS ONLY. UNAUTHORIZED REPRODUCTION, PUBLICATION, DISTRIBUTION OR DISSEMINATION IN WHOLE OR IN PART, IS EXPRESSLY PROHIBITED. THE INFORMATION CONTAINED HEREIN IS AND REMAINS THE PROPERTY OF LIGHTING SERVICES INC AND RECEIPT OR POSSESSION OF THIS INFORMATION CONFERS NO RIGHT IN OR LICENSE TO USE OR TO DISCLOSE TO OTHERS THE SUBJECT MATTER CONTAINED HEREIN FOR ANY BUT AUTHORIZED PURPOSES. COPYRIGHT LIGHTING SERVICES INC ALL RIGHTS RESERVED.

Title		Type	Description				
			<i>LSI FITTING LAYOUT</i>				
Drawn by	Date	Checked by	Date	Scale	Sheet	Drawing No.	Rev
VA	10/24/17	JC	11/01/17	NONE	3 OF 3	SK-00137	L