

LZ • 120/277V • LED • COB



### These compact spotlights offer zoom functionality to easily adjust beam spreads from 5° to 50°.

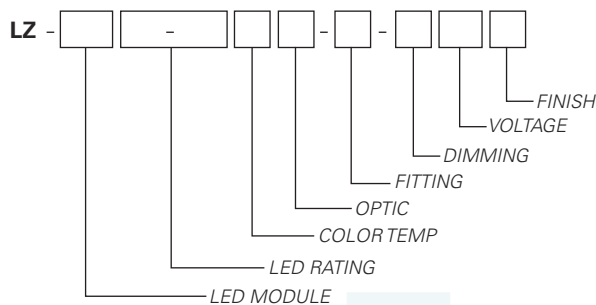
- Adjustable 5° Narrow Spot-50° Flood optic produces up to 25,000 CBCP with 1856 lumens at 19 watts
- System efficiency up to 44 lumens/watt
- Exceeds ANSI specifications by maintaining extremely tight color consistency over the life of the fixture
- Tested to LM79 and LM80 Protocols
- 50,000 hour life to 70% lumen output, L<sub>70</sub> at 95°F max ambient
- Hidden integral electronic driver, compatible with various dimmers down to 0.1 %
- Color Rendering Index (CRI) 80, 90
- Color consistency, 2 MacAdam ellipses
- Removable accessory cartridge for any combination of (2) size-ZM LSI accessories
- No UV or IR emissions; no mercury or lead
- On/off safety switch (on most mounting types)
- Sturdy die-cast aluminum housing
- Unique latch mechanism for focus lock
- Horizontal and vertical aiming is both self-locking and tool-locking via Allen key
- Finishes: LSI Black, White, and Silver
- Fixture weight: 4 lbs

## FIXTURE PART NUMBERS

Please review the **ORDERING INFORMATION** section on the next page as well as the **MOUNTING OPTIONS** on page 3 to create a part number for each fixture that specifies the following:

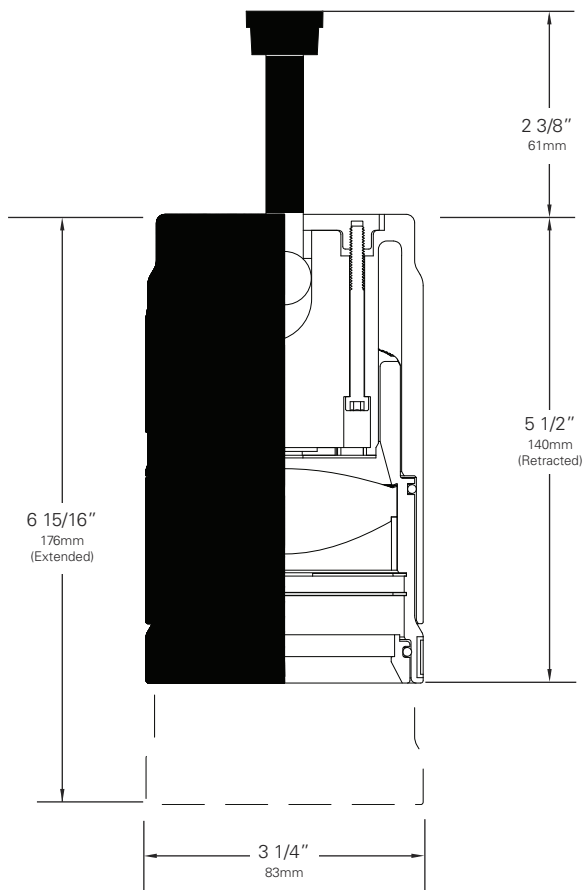
- LED Module
- LED Rating
- Color Temperature
- Optic (Integral)
- Fitting/Controls (Dimming)
- Voltage
- Finish

### PART NUMBER



Example Part Number: **LZ-C0618-8030ZM-PT2-TE120W** is a fixture with a single LED module, 1856 Lumen/80 CRI/19 Watt LED rating, 3000°K Color Temperature, 6mm Adjustable Optic, PT2 Track fitting with Trailing Edge group dimming capability, 120V and a White finish.

LZ • 120/277V • LED • COB



## DRIVER TYPE

### TE Driver

Input Power (A) - 120V	0.16
Input Power (A) - 277V	0.07
Wattage	19
Power Factor - 115V	0.92

### LE Driver

Input Power (A) - 120V	0.16
Input Power (A) - 277V	0.07
Wattage	19
Power Factor - 115V	0.92

## LED ORDERING INFORMATION

### Base Fixture Model

- LZ-C06 (6mm COB)

### LED Rating (Lumens/CRI/Wattage)

- 18-80 = 1856/80/19  
 15-90 = 1500/90/19

### Color Temperature

- 27 = 2700K  
 30 = 3000K  
 35 = 3500K  
 40 = 4000K

### Optic

- ZM = 5° - 50° Adjustable Optic

### Fitting/Controls (Dimming)

- PT2-TE = Track Fitting & Trailing Edge (5%)  
 PT2-LE = Track Fitting & Leading Edge (5%) (120V only)  
 PT5-ED = Track Fitting & Integral Dimmer (0.1%)  
 5B-TE = Canopy Fitting & Trailing Edge (5%)  
 5B-LE = Canopy Fitting & Leading Edge (5%) (120V only)  
 5B-ED = Canopy Fitting & Integral Dimmer (0.1%)  
 5B-10 = Canopy Fitting & 0-10V (0.1%)

### Voltage

- 120 = 120V     230 = 220-240V     277 = 277V

### Finish

- B = Black     W = White     S = Silver

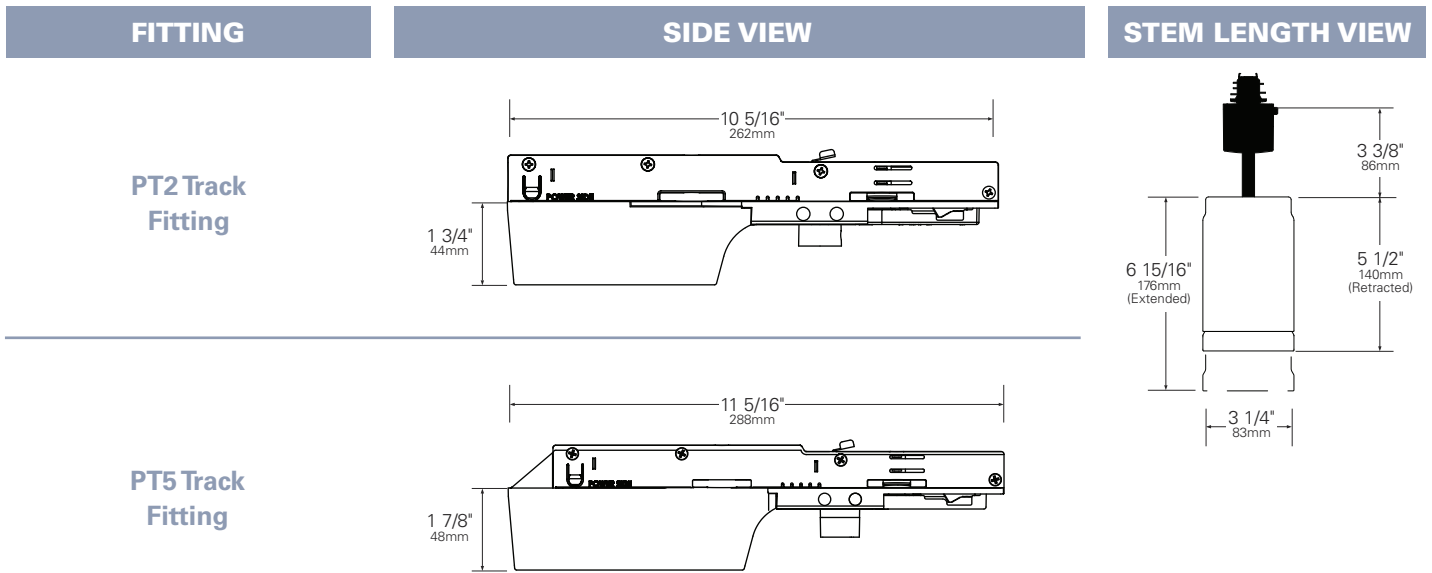
### Example Part Number:

**LZ-C06**    **19-80**    **30**    **ZM-PT2-TE**    **120**    **W**  
FIXTURE MODEL    LED RATING    COLOR TEMP    OPTIC    FITTING/DIMMING    VOLTAGE    FINISH

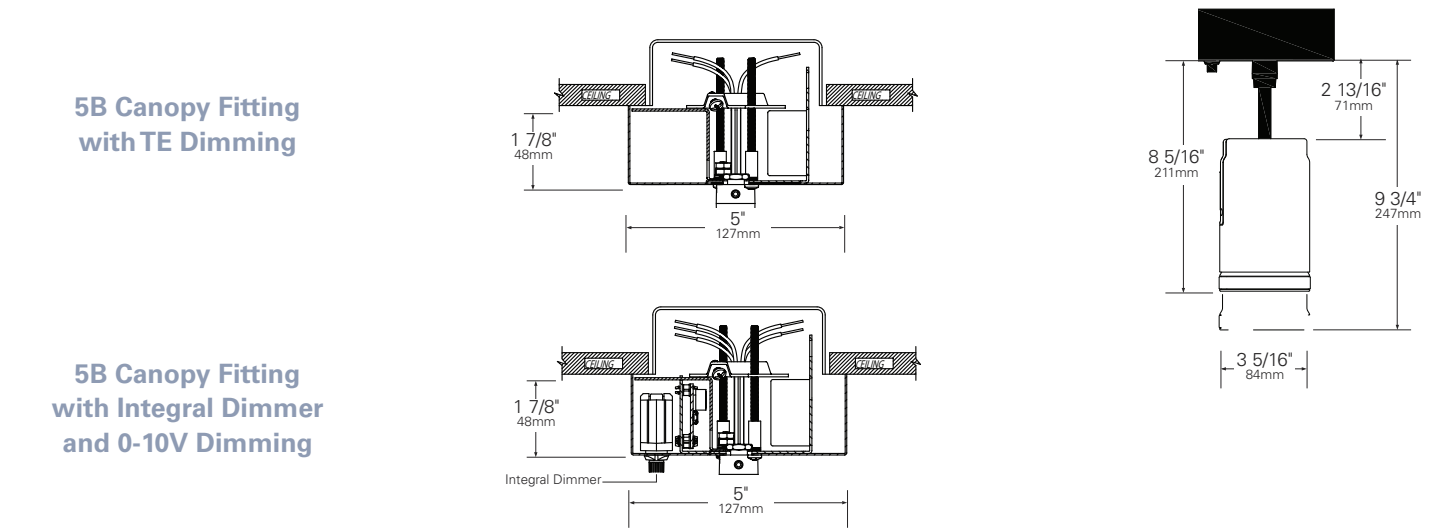
### Other Options (Consult Factory):

- Custom Stems, specify length (4" - 48")
- Custom Finish, RAL palette

# LZ • MOUNTING OPTIONS



PT2 & PT5 Fittings do not have data connection, Trailing Edge and Leading Edge dimming only.



# LZ • PERFORMANCE

The performance characteristics of the LZ ZOOM family of products can be customized based on the LED module and the optic selected.

Each available LED module is defined by four characteristics – the color rendering index (CRI), the correlated color temperature (CCT), the power that it uses (watts), its “available lumens” and beam spread. Note that available lumens is a theoretical value that represents the light output of the module on its own – no fixture or optic attached.

In the LSI part number, the LED module is specified with a letter and a number that immediately follow the product series number. For example, in the part number LZ-C0618-8030ZM-PT2-TE120W, the “C0618-8030ZM” represents an LED module with an output of 1856 lumens, a CRI of 80, a power usage of 19 watts, color temperature of 3000K and a 5° - 50° adjustable degree beam.

Additional parameters, such as Center Beam Candle Power (CBCP), Delivered Lumens, and Efficiency (Lumens per Watt) are all shown in a table that is organized by LED module and optic combination.

CBCP = Center Beam Candle Power				
LED Module	Optic (Reflector)			
Lumens/CRI/Wattage	5°	20°	35°	50°
1500/90/19	20,300	5,400	2,200	1,200
1856/80/19	25,000	6,600	2,700	1,400

Delivered Lumens				
LED Module	Optic (Reflector)			
Lumens/CRI/Wattage	5°	20°	35°	50°
1500/90/19	400	500	600	700
1856/80/19	470	610	730	830

Efficiency = Lumens Per Watt				
LED Module	Optic (Reflector)			
Lumens/CRI/Wattage	5°	20°	35°	50°
1500/90/19	21	26	32	37
1856/80/19	25	32	38	44

*Inrush current is instantaneous current drawn by the LED only when fixture is initially powered on or instantaneously changed from full dim to full bright. For more details see Dimming Application Sheet, IS-0119.*

LED Module Lumens/CRI/Wattage SKU Code	1500/90/19	1856/80/19
Nominal Fixture Power (+/- 20%), Watts	19	19
Maximum Inrush Current Amps	10	10
Minimum Power Factor	0.92	0.92

# LZ • PHOTOMETRIC DATA

## PHOTOMETRIC DATA

### LZ ZOOM Series

#### 18-80 LED Rating

Beam Spread (minimum) **5°**  
Center Beam Candlepower **25000**  
CRI **80**

### LZ ZOOM Series

#### 18-80 LED Rating

Beam Spread (minimum) **20°**  
Center Beam Candlepower **6600**  
CRI **80**

### LZ ZOOM Series

#### 18-80 LED Rating

Beam Spread (minimum) **35°**  
Center Beam Candlepower **2700**  
CRI **80**

### LZ ZOOM Series

#### 18-80 LED Rating

Beam Spread (minimum) **50°**  
Center Beam Candlepower **1400**  
CRI **80**

### LZ ZOOM Series

#### 15-90 LED Rating

Beam Spread (minimum) **5°**  
Center Beam Candlepower **20300**  
CRI **90**

### LZ ZOOM Series

#### 15-90 LED Rating

Beam Spread (minimum) **20°**  
Center Beam Candlepower **5400**  
CRI **90**

### LZ ZOOM Series

#### 15-90 LED Rating

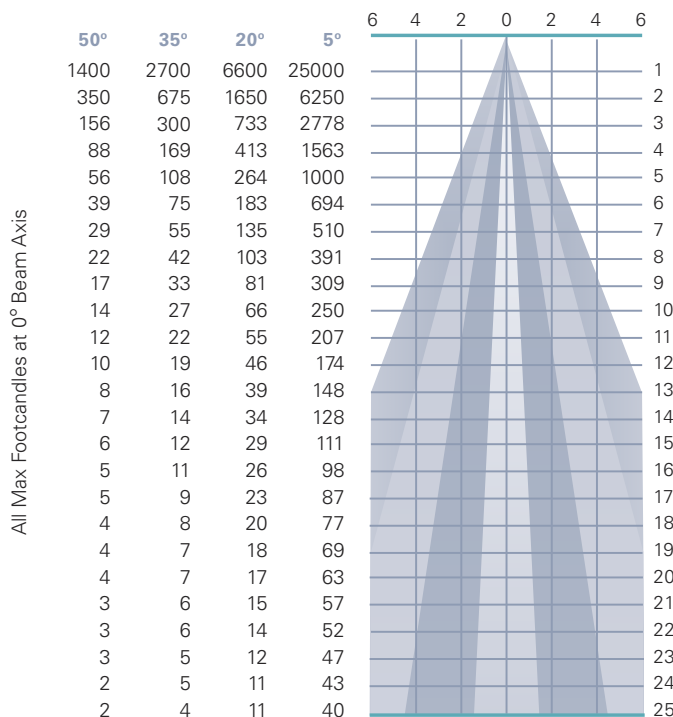
Beam Spread (minimum) **35°**  
Center Beam Candlepower **2200**  
CRI **90**

### LZ ZOOM Series

#### 15-90 LED Rating

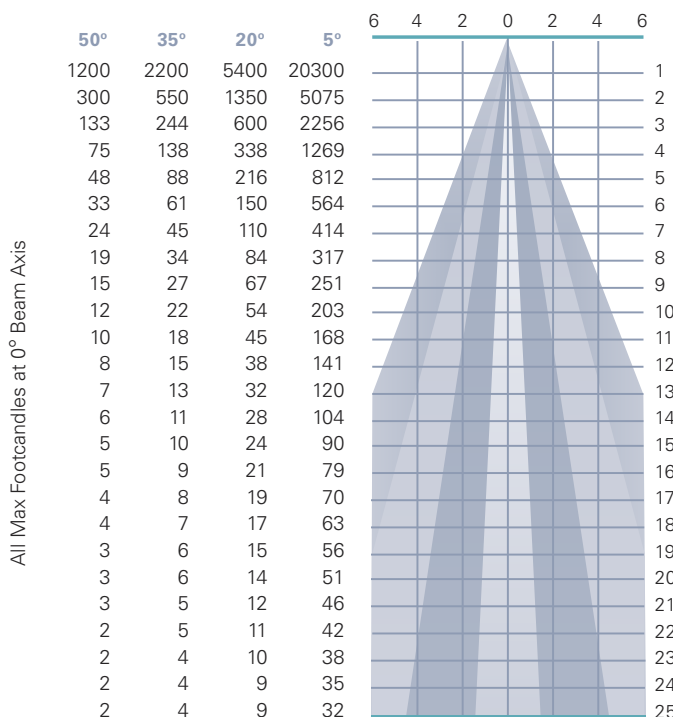
Beam Spread (minimum) **50°**  
Center Beam Candlepower **1200**  
CRI **90**

## LED Rating: 18-80



Photometric Data based on LED Rating: 18-80 (1856 Lumens/80CRI/19Watts)

## LED Rating: 15-90



Photometric Data based on LED Rating: 15-90 (1500 Lumens/90CRI/18Watts)

**LZ** • ACCESSORIES**LOUVER HEX ZMB**

1/8" thick Hexcell black metal  
louver used for thin profile.  
Black finish.

## LZ • GELS

As the foremost innovator in accent lighting, LSI offers a complete range of pre-cut Gels to modify the spread and color of light.



## SPREAD GELS

Size: ZM (71 mm diameter)	Spread Gel
GEL-L1-ZM	1° Spread Gel
GEL-L5-ZM	5° Spread Gel
GEL-L10-ZM	10° Spread Gel
GEL-L20-ZM	20° Spread Gel
GEL-L30-ZM	30° Spread Gel
GEL-L40-ZM	40° Spread Gel
GEL-L60-ZM	60° Spread Gel
GEL-L80-ZM	80° Spread Gel
GEL-L30X5-ZM	30° by 5° Spread Gel
GEL-L40X1-ZM	40° by 1° Spread Gel
GEL-L60X1-ZM	60° by 1° Spread Gel
GEL-L60X10-ZM	60° by 10° Spread Gel
GEL-L75X45-ZM	75° by 45° Spread Gel
GEL-L90X60-ZM	90° by 60° Spread Gel
GEL-R101-ZM	Beam Softener

## COLOR GELS

Size: ZM (71 mm diameter)	Gel Color	% of Light Transmission	Size: ZM (71 mm diameter)	Gel Color	% of Light Transmission
GEL-R2-ZM	Bastard Amber	78	GEL-R312-ZM	Canary	85
GEL-R7-ZM	Pale Yellow	96	GEL-R331-ZM	Shell Pink	68
GEL-R12-ZM	Straw	88	GEL-R383-ZM	Sapphire Blue	4
GEL-R13-ZM	Straw Tint	78	GEL-R397-ZM	Pale Grey	70
GEL-R14-ZM	Medium Straw	68	GEL-R2001-ZM	Storaro Red	12
GEL-R21-ZM	Golden Amber	43	GEL-R2004-ZM	Storaro Green	15
GEL-R25-ZM	Orange Red	14	GEL-R2009-ZM	Storaro Violet	3
GEL-R26-ZM	Light Red	12	GEL-R3202-ZM	Full Blue	36
GEL-R27-ZM	Medium Red	4	GEL-R3204-ZM	Half Blue	52
GEL-R57-ZM	Lavender	24	GEL-R3206-ZM	Third Blue	64
GEL-R62-ZM	Booster Blue	54	GEL-R3216-ZM	Eighth Blue (Boosts 3200K to 3300K)	81
GEL-R71-ZM	Sea Blue	30	GEL-R3318-ZM	Tough 1/8 Minusgreen	89
GEL-R72-ZM	Azure Blue	44	GEL-R3410-ZM	Roscoun (1/8 CTO) (Reduces 5500K to 4900K)	92
GEL-R91-ZM	Primary Green	7	GEL-R3441-ZM	Full Straw (CTS)	50
GEL-R97-ZM	Light Grey	50	GEL-R3443-ZM	Quarter Straw (CTS)	81
GEL-R98-ZM	Medium Grey	25	GEL-R4330-ZM	CalColor 30 Cyan	63
GEL-R101-ZM	Light Frost	N/A	GEL-R4415-ZM	CalColor 15 Green	67
GEL-R104-ZM	Tough Silk	N/A	GEL-R4490-ZM	CalColor 90 Green	25
GEL-R119-ZM	Lt. Hamburg Frost	N/A	GEL-R4860-ZM	CalColor 60 Pink	46
GEL-R121-ZM	Blue Diffusion	N/A	GEL-R4890-ZM	CalColor 90 Pink	38
GEL-R305-ZM	Rose Gold	75	GEL-R4930-ZM	CalColor 30 Lavender	47

## LSI ROSCO GEL CCT CONVERSION CHART FROM 3000K

Type	ROSCO #	ROSCO Description	Resulting CCT
Amber Filters Lower CCT	3420	Double CTO	1531
	3407	Sun CTO	1999
	3401	Sun 85	2154
	3411	Sun 3/4 CTO	2154
	3408	Sun 1/2 CTO	2414
	3409	Sun 1/4 CTO	2664
	3410	Sun 1/8 CTO	2830
	3114	UV Filter	2930
Blue Filters Raise CCT	3220	Double Blue	N/A
	3202	Full Blue	4942
	3203	Three-Quarter Blue	4286
	3204	Half Blue	3769
	3206	Third Blue	3517
	3208	Quarter Blue	3297
	3216	Eighth Blue	3112