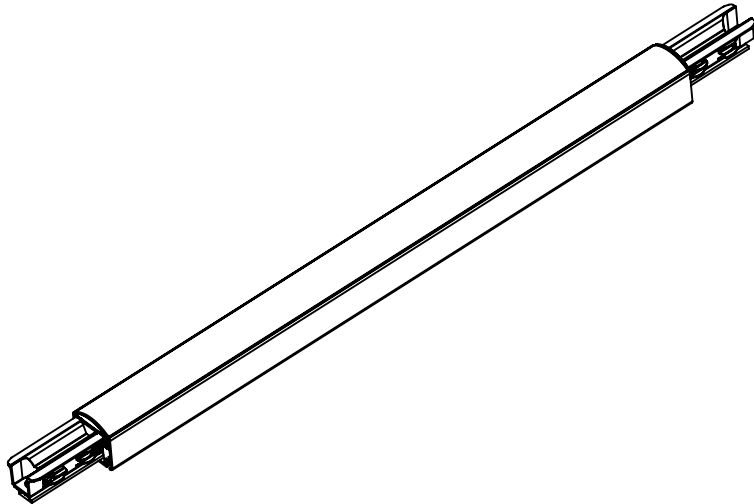
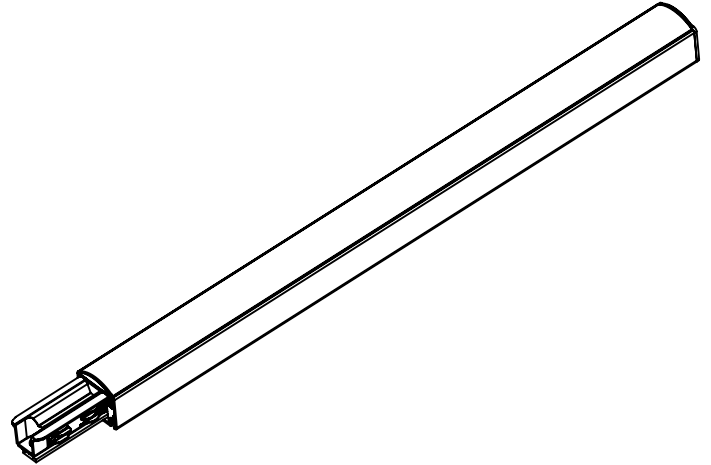


INSTALLATION INSTRUCTIONS

INLine LINEAR LED FIXTURE



JOINER SECTION



END SECTION



TO PREVENT RISK OF SHOCK, TURN OFF ELECTRICITY PRIOR TO INSTALLATION OR MAINTENANCE

IMPORTANT SAFETY INFORMATION

WHEN INSTALLING OR USING THIS LED FIXTURE, BASIC SAFETY PRECAUTIONS SHOULD ALWAYS BE FOLLOWED, INCLUDING THE FOLLOWING:

- READ ALL INSTRUCTIONS.
- CHECK WITH A QUALIFIED ELECTRICIAN.
- DO NOT USE OUTDOORS OR INSTALL IN DAMP OR WET LOCATIONS.
- DO NOT MOUNT NEAR GAS OR ELECTRIC HEATERS
- DO NOT CUT ANY FIXTURE SECTIONS.
- MUST BE INSTALL WITH LSI CONTROLTrack OR POWERTrack ONLY.
- FOLLOW LSI CONTROLTrack OR POWERTrack INSTALLATION INSTRUCTIONS TO ENERGIZE TRACK/FIXTURE.
- DO NOT INSTALL ANY FIXTURE ASSEMBLY CLOSER THAN SIX INCHES FROM ANY CURTAIN OR SIMILAR COMBUSTIBLE MATERIAL.
- DO NOT ATTEMPT TO ENERGIZE ANYTHING OTHER THAN LIGHTING FIXTURES ON THE TRACK.
- DO NOT ATTEMPT TO CONNECT POWER TOOLS, EXTENSION CORDS, APPLIANCES AND THE LIKE TO THE TRACK.
- MOUNTING LOCATIONS SHALL NOT EXCEED 6 FEET ON CENTER.
- TRACK MUST BE INSTALLED AT LEAST 5 FEET FROM FINISHED FLOOR AND NOT READILY SUBJECTED TO TAMPERING BY UNAUTHORIZED PERSONNEL
- DO NOT USE THIS EQUIPMENT FOR OTHER THAN INTENDED USE.

SAVE THESE INSTRUCTIONS

CONFIDENTIAL-PROPRIETARY INFORMATION - THE INFORMATION HEREIN IS PROTECTED UNDER COPYRIGHT AND IS OF A PROPRIETARY NATURE AND IS SUBMITTED IN CONFIDENCE FOR USE BY OUR CLIENTS ONLY. UNAUTHORIZED REPRODUCTION, PUBLICATION, DISTRIBUTION OR DISSEMINATION IN WHOLE OR PART, IS EXPRESSLY PROHIBITED. THE INFORMATION CONTAINED HEREIN IS AND REMAINS THE PROPERTY OF LIGHTING SERVICES INC. AND RECEIPT OR POSSESSION OF THIS INFORMATION CONFERS NO RIGHT IN OR LICENSE TO DISCLOSE TO OTHERS THE SUBJECT MATTER CONTAINED HEREIN FOR ANY BUT AUTHORIZED PURPOSES. COPYRIGHT LIGHTING SERVICES INC. ALL RIGHTS RESERVED



LIGHTING SERVICES INC 2 HOLT DRIVE STONY POINT, NY 10980-1996 TEL: 845-942-2800 www.LightingServicesInc.com

INSTALLATION INSTRUCTIONS

INLine LINEAR LED FIXTURE

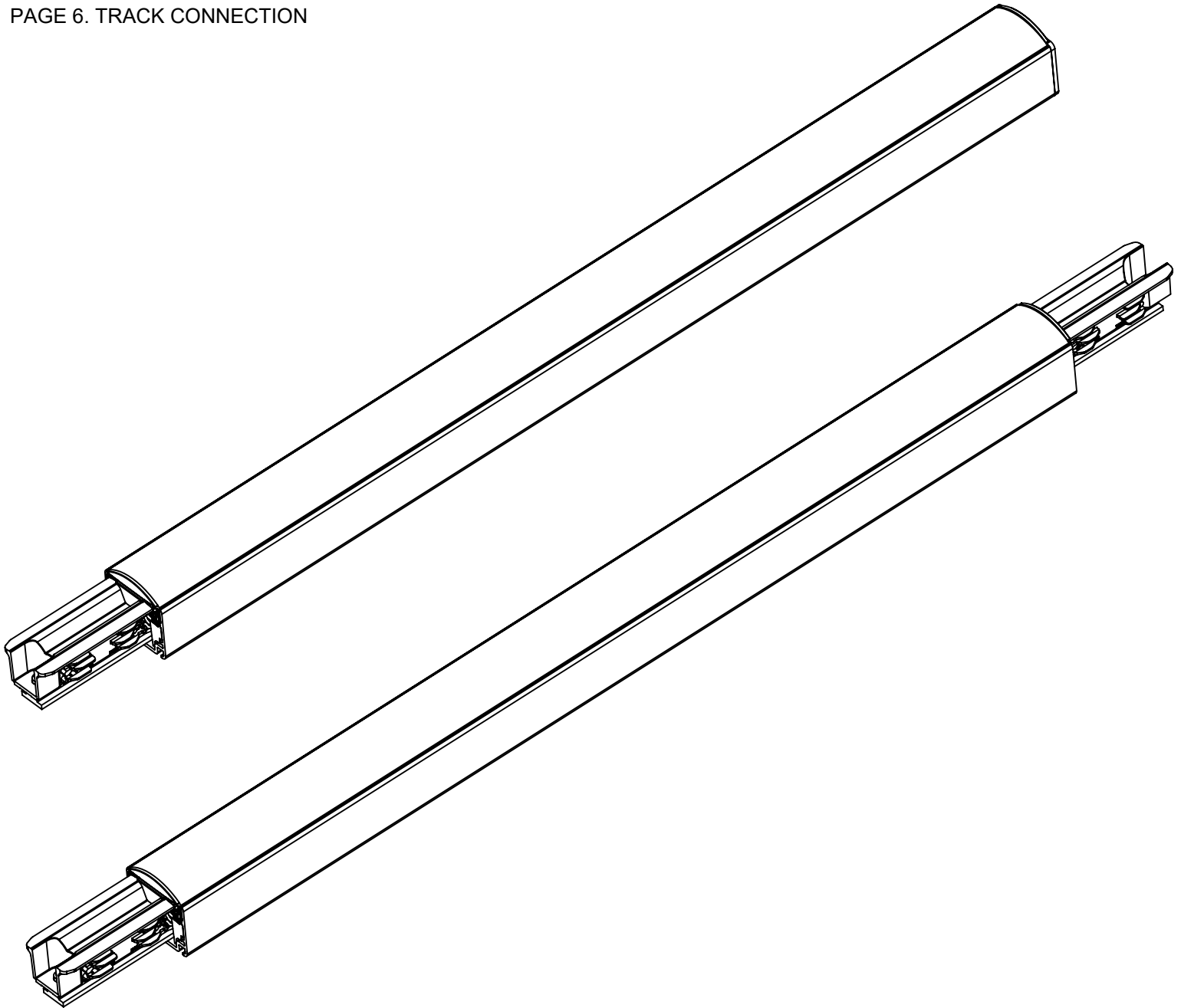
TABLE OF CONTENTS:

PAGE 3. REMOVAL OF DIFFUSER LENS

PAGE 4. SURFACE MOUNTING

PAGE 5. PENDANT MOUNTING

PAGE 6. TRACK CONNECTION

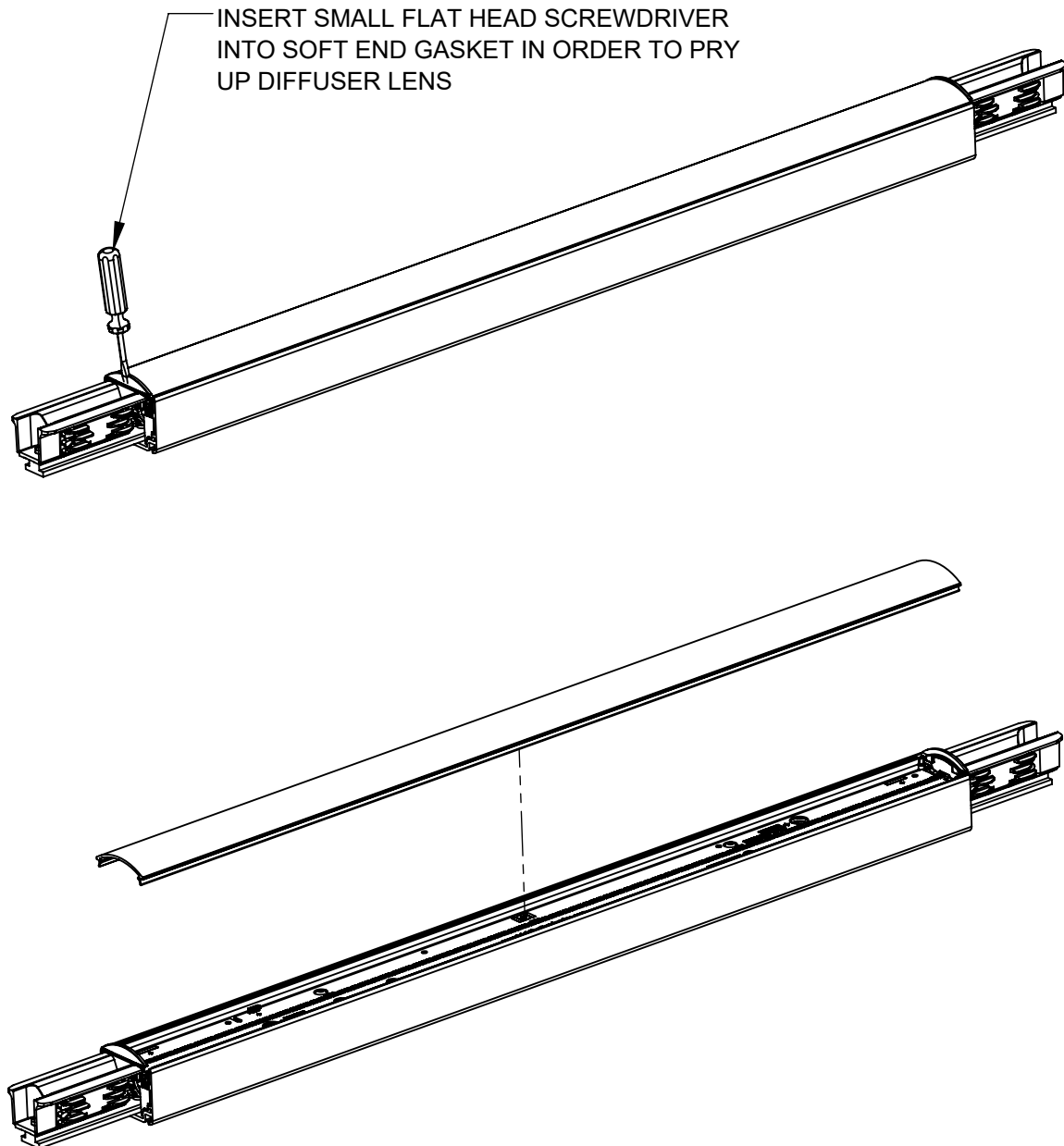


INSTALLATION INSTRUCTIONS

INLine LINEAR LED FIXTURE

REMOVAL OF DIFFUSER LENS

REMOVAL OF DIFFUSER LENS WILL GIVE ACCESS TO MOUNTING HOLES FOR SURFACE MOUNTING



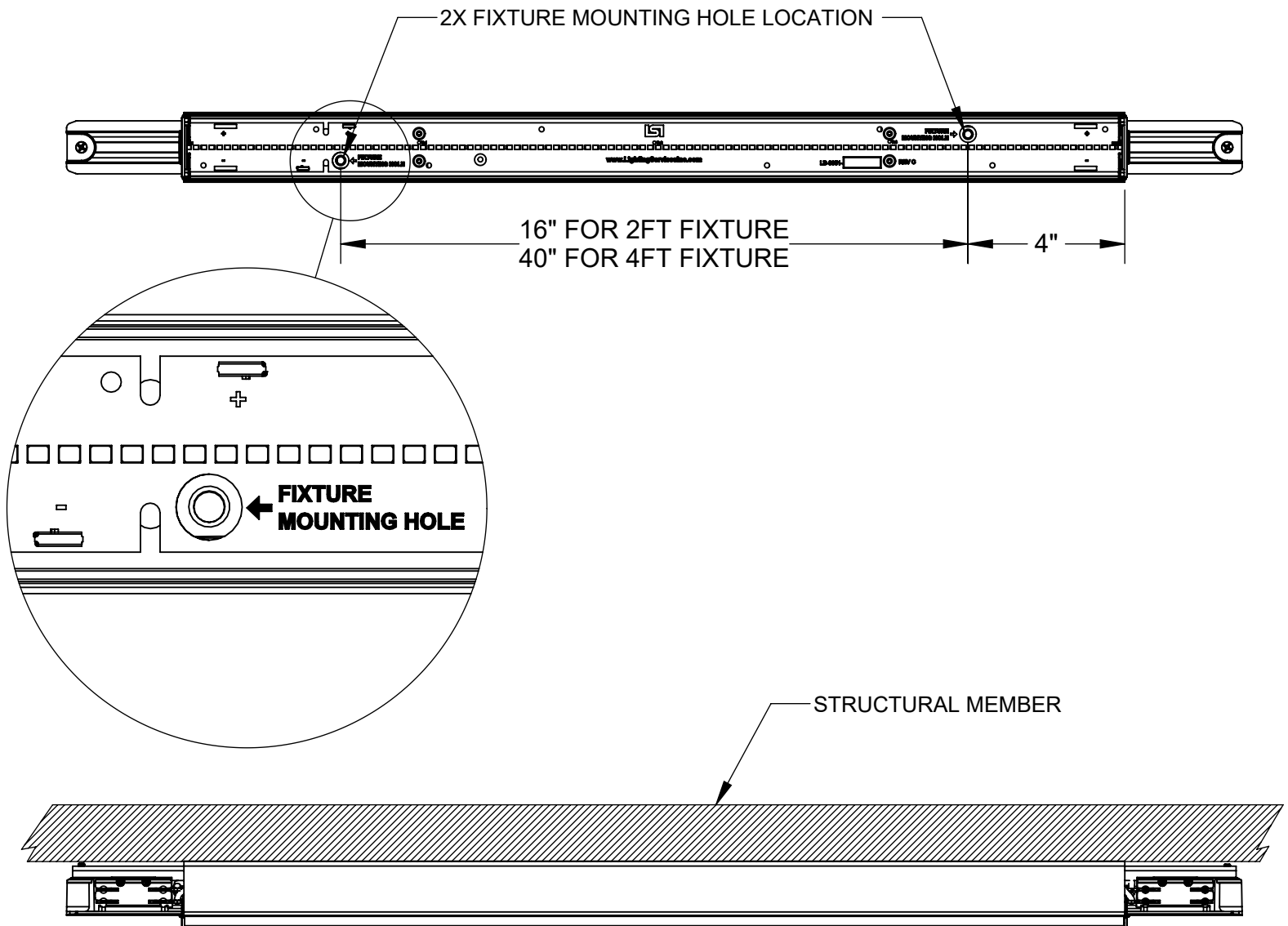
NOTES:
1. DO NOT TOUCH LED

INSTALLATION INSTRUCTIONS

INLine LINEAR LED FIXTURE

SURFACE MOUNTING

- REMOVAL OF LED DIFFUSER IS REQUIRED TO ACCESS MOUNTING HOLES
- MAXIMUM SCREW SIZE IS #10
- SUGGESTED SCREW #10 PAN HEAD (BY OTHERS)
- MOUNTING MUST BE CAPABLE OF WITHSTANDING A 50LB. PULL



NOTES:

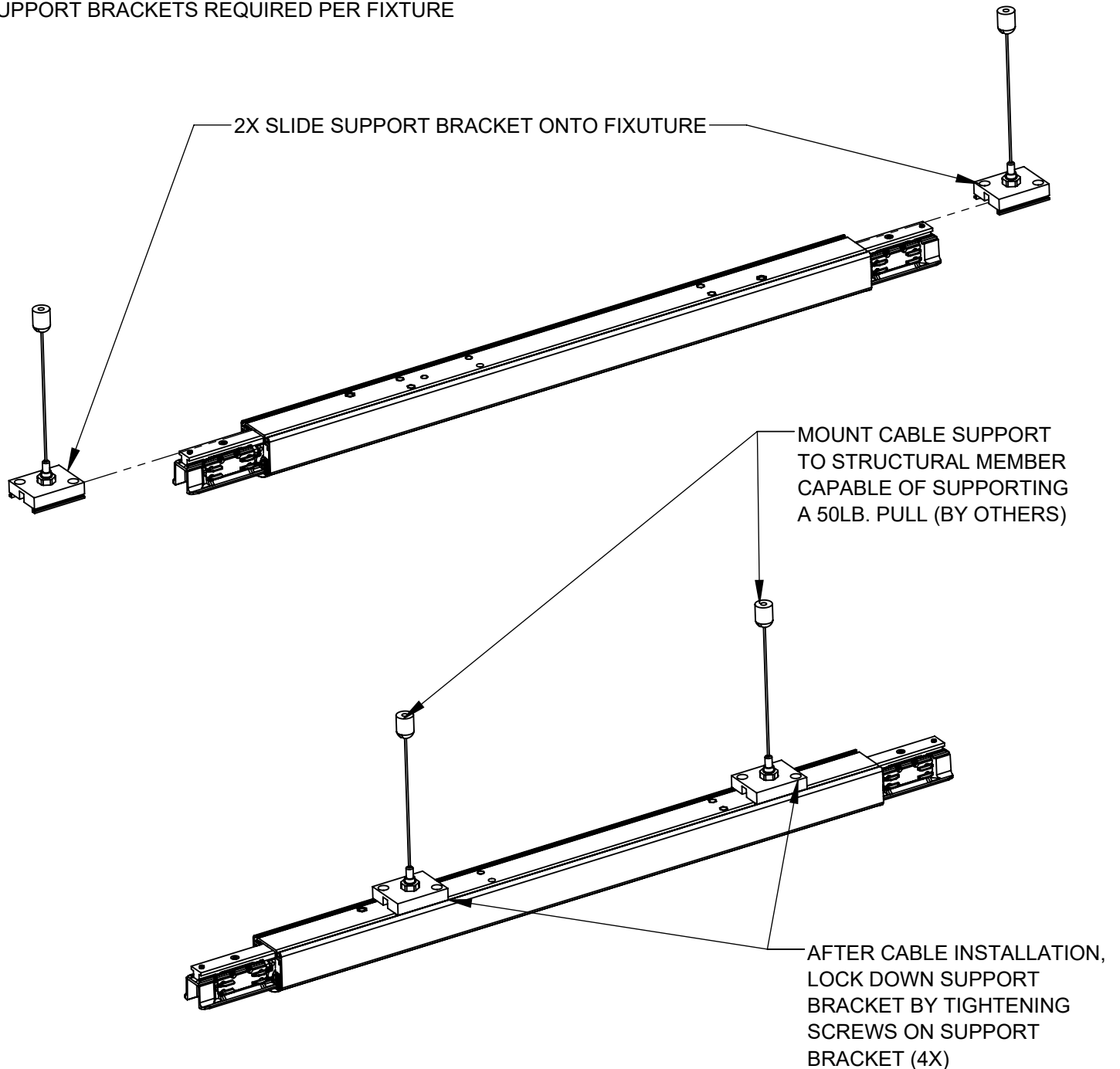
1. TAKE CARE NOT TO DAMAGE LED DURING SURFACE MOUNTING
2. REFER TO CONTROLTrack/POWERTrack INSTALLATION INSTRUCTIONS FOR COMPLETE TRACK ASSEMBLY
3. TRACK / INLine LINEAR FIXTURE MUST BE INSTALLED A MINIMUM OF 5 FEET ABOVE FINISHED FLOOR

INSTALLATION INSTRUCTIONS

INLine LINEAR LED FIXTURE

PENDENT MOUNTING

- REQUIRES ADDITIONAL PURCHASE OF SINGLE STAINLESS STEEL CABLE SUPPORT KIT
- 2X SUPPORT BRACKETS REQUIRED PER FIXTURE



NOTES:

1. REFER TO CONTROLTrack/POWERTrack INSTALLATION INSTRUCTIONS FOR COMPLETE TRACK ASSEMBLY
2. TRACK / INLine LINEAR FIXTURE MUST BE INSTALLED A MINIMUM OF 5 FEET ABOVE FINISHED FLOOR

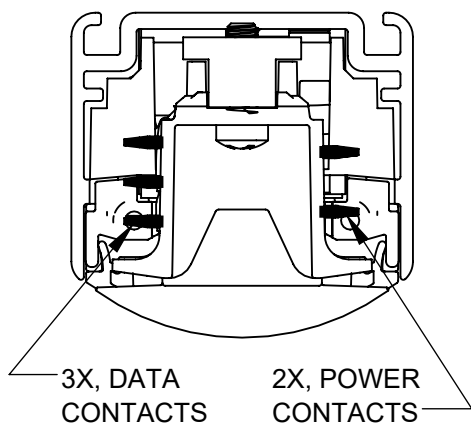
INSTALLATION INSTRUCTIONS

INLine LINEAR LED FIXTURE

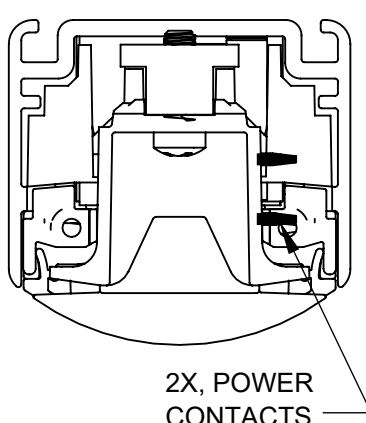
TRACK CONNECTION

- FIXTURE MUST BE CONNECTED to CONTROLTrack OR POWERTrack FOR POWER AND OR DATA CONNECTION
- FIXTURE CAN WORK WITH CONTROLTrack (1 CKT POWER PLUS DATA) OR POWERTrack (1CKT OR 2CKT POWER)
- ALL POWER AND DATA CIRCUITS PASS THRU THE JOINER SECTION FIXTURE
- ATTENTION NEEDS TO BE PAID WHICH CIRCUIT POWERS THE FIXTURE IN THE POWERTrack 2CKT CONFIGURATION, LABELED ON FIXTURE

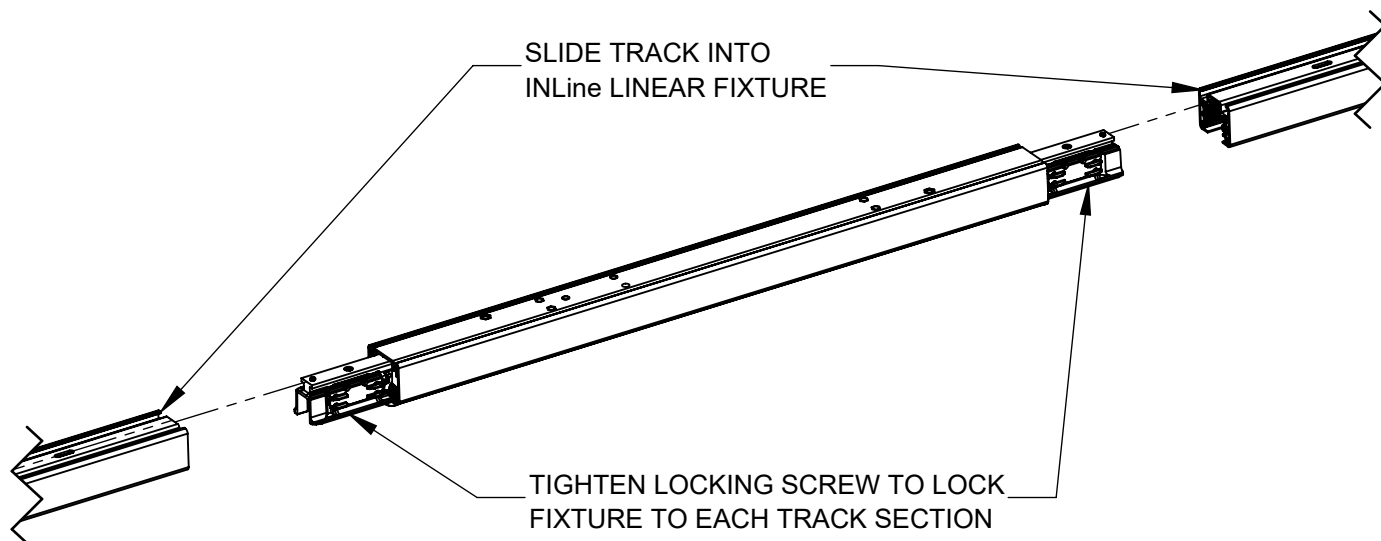
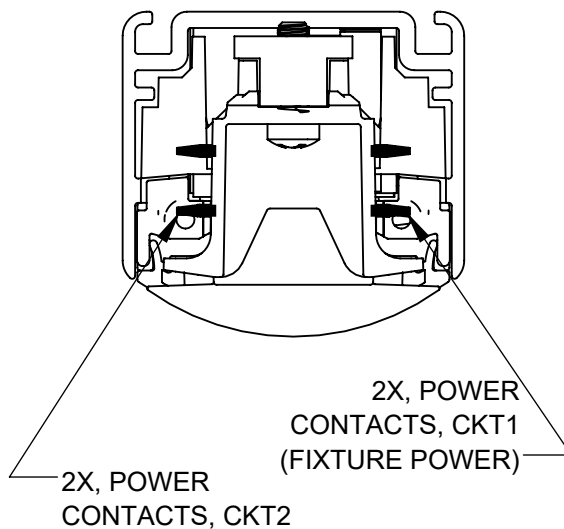
CONTROLTrack



POWERTrack, 1CKT



POWERTrack, 2CKT



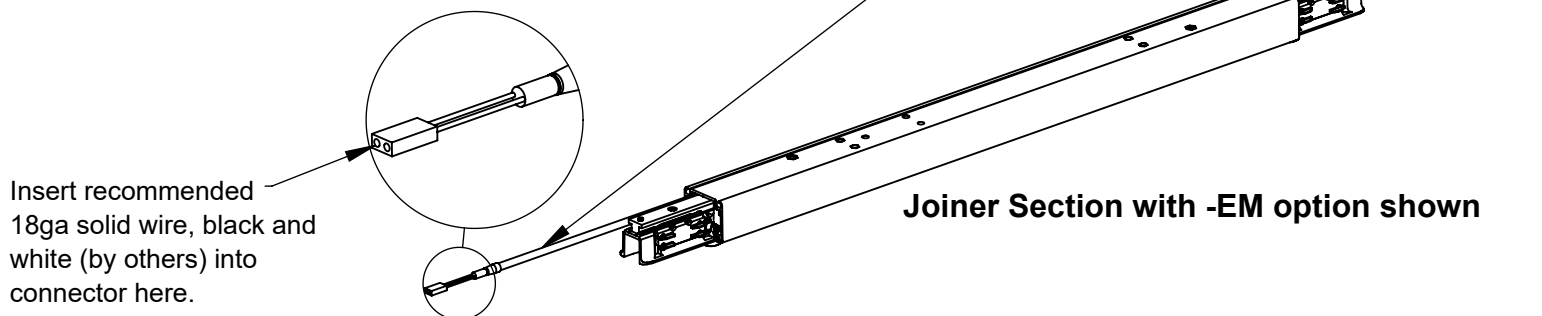
- NOTES:
1. REFER TO CONTROLTrack/POWERTrack INSTALLATION INSTRUCTIONS FOR COMPLETE TRACK ASSEMBLY
 2. TRACK / INLine LINEAR FIXTURE MUST BE INSTALLED A MINIMUM OF 5 FEET ABOVE FINISHED FLOOR

INSTALLATION INSTRUCTIONS

INLine LINEAR LED FIXTURE

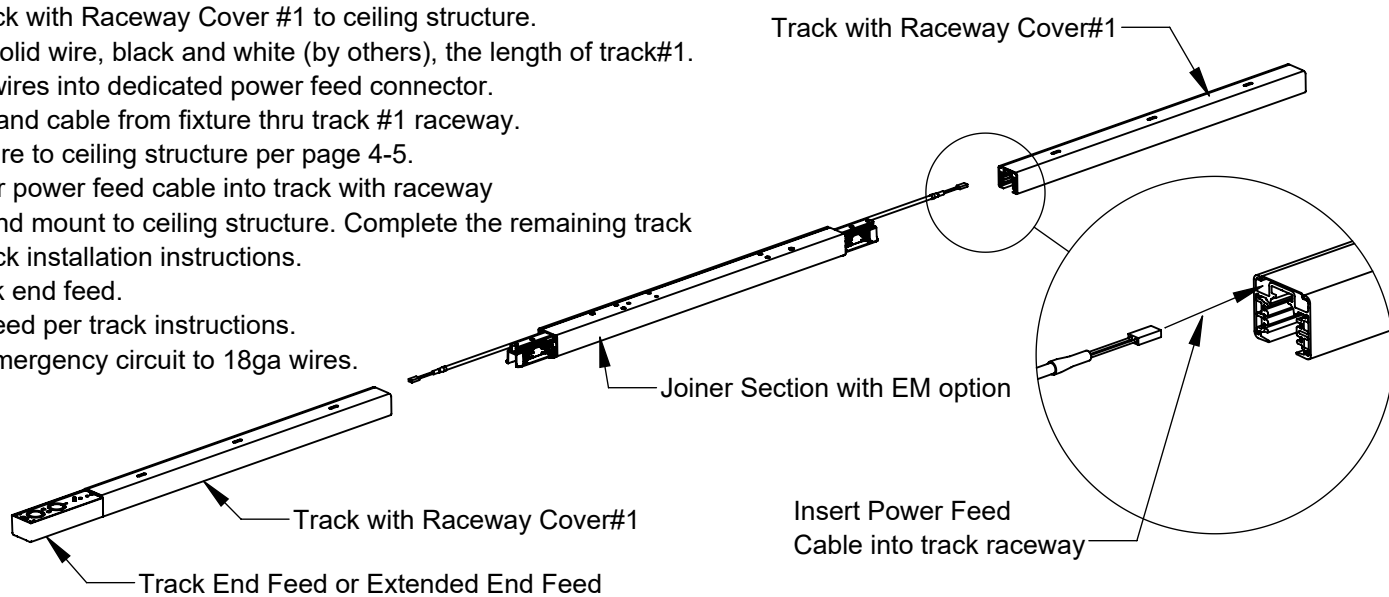
Emergency Fixture Option (-EM)

- Dedicated sleeved 18ga power feed cable (line and neutral) with push in connector. On both ends for joiner section, one end for end section.
- Track power only passes thru fixture.
- If applicable fixture uses track data connection.
- Maximum of 12 fixtures per emergency run.



Installation, 1 INLine Linear -EM Fixture

1. Mount Track with Raceway Cover #1 to ceiling structure.
2. Cut 18ga solid wire, black and white (by others), the length of track #1.
3. Insert cut wires into dedicated power feed connector.
4. Feed wire and cable from fixture thru track #1 raceway.
5. Mount fixture to ceiling structure per page 4-5.
6. Insert other power feed cable into track with raceway cover #2 and mount to ceiling structure. Complete the remaining track run per track installation instructions.
7. Install track end feed.
8. Wire end feed per track instructions.
9. Connect emergency circuit to 18ga wires.



Installation, 2 or more INLine Linear -EM Fixtures

Same procedure as above but must have a straight, X, L, or T joiner in between each -EM fixture for dedicated emergency power feed connections.

