

LP230 • 120/277V • LED • COB • CONTROLTrack COMPATIBLE



Elegant fixture designed specifically for the most demanding architecture applications.

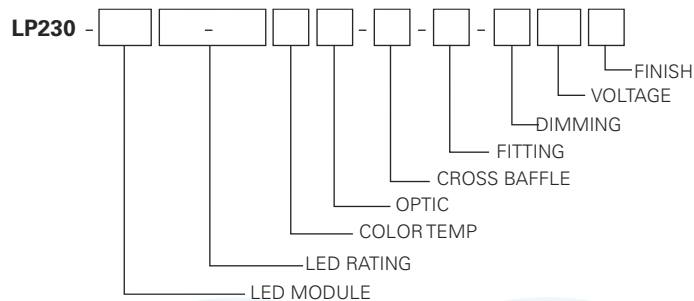
- 4° optic produces 85000 CBCP with 810 lumens at 13 watts
- System efficiency up to 30 lumens/watt
- Exceeds ANSI specifications by maintaining extremely tight color consistency over the life of the fixture
- Tested to LM79 and LM80 Protocols
- 50,000 hour life to 70% lumen output, L70 at 95°F max ambient
- 0-10V dimming allows for 2 zones of control on one circuit CONTROLTrack down to 0.1%, with convenient zone selection switch
- DMX compatible with dimming below 1%
- Color Rendering Index (CRI) 90+
- Color Fidelity Index (R_f) 92
- Gamut Area Index (R_g) 102
- Color consistency, 2 MacAdam ellipses
- Accessory holder accepts up to three size-A LSI accessories
- No UV or IR emissions; no mercury or lead
- On/off safety switch (on CONTROLTrack fitting)
- Sturdy aluminum housing
- Vented top for thermal management
- Front rotation lock for alignment of directional accessories
- Optional Cross Baffle eliminates frontal spill light and glare when spread gels are used
- Quick connect for LED field service
- Self and wrench locking yoke for vertical and horizontal focusing
- Finishes: LSI Black, White, and Silver
- Fixture weight: 3 lbs

FIXTURE PART NUMBERS

Please review the **ORDERING INFORMATION** section on the next page as well as the **MOUNTING OPTIONS** on page 3 to create a part number for each fixture that specifies the following:

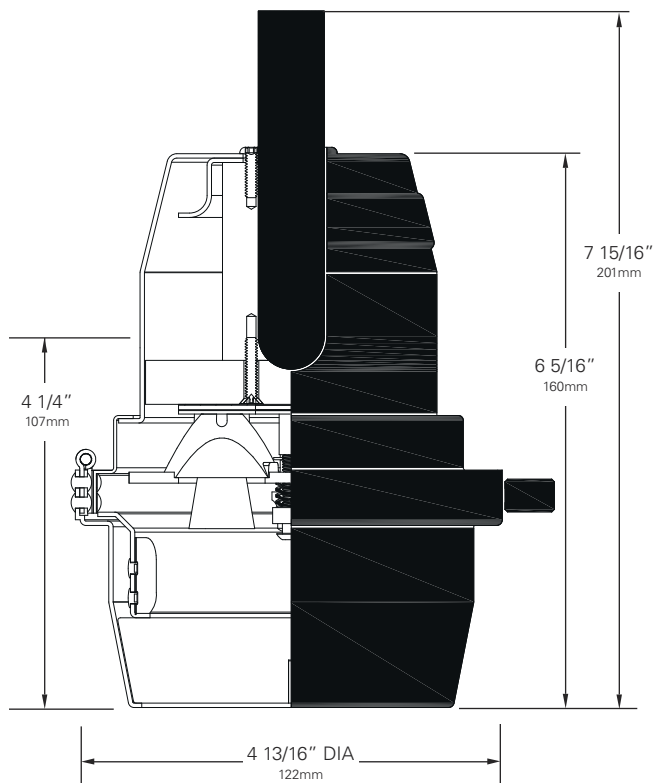
- LED Module
- LED Rating
- Color Temperature
- Optic (mm/beam spread)
- Cross Baffle
- Fitting/Controls (Dimming)
- Voltage
- Finish

PART NUMBER



Example Part Number: **LP230-ZE308-903004-NXB-CT4-DX-120W** is a fixture with a ZE3 LED module, 810 Lumen/90 CRI/13Watt LED rating, 3000°K Color Temperature, 4° Optic, No Cross Baffle, CT4 CONTROLTrack fitting with DMX Address knobs and DMX compatible control gear, 120V and a White finish.

LP230 • 120/277V • COB • CONTROLTrack COMPATIBLE



Color Temperature & Center Point Tolerance		
Color Temp	Center Point	Tolerance
2700K	2700K	+/- 40K
3000K	2950K	+/- 50K
3500K	3420K	+/- 60K
4000K	4000K	+/- 70K

Chromaticity Specifications			
LED	R _a - CRI	R _f - Fidelity	R _g - Gamut Area
ZE3	90	92	102

COB ORDERING INFORMATION

Base Fixture Model

LP230-ZE3 (3X Array)

LED Rating (Lumens/CRI/Wattage)

08-90 = 810/90/13

Color Temperature

27= 2700K 30= 3000K

35= 3500K 40= 4000K

Optic

04 = 35mm/ 4°

Cross Baffle*

NXB = No Cross Baffle

WXB = With Cross Baffle

*Cross Baffle only for use with spread gel accessories

Fitting/Controls (Dimming)

CT2-10 = CONTROLTrack Fitting & 0-10V (0.1 %)

CT4-DX = CONTROLTrack Fitting & DMX (<1 %)

Voltage

120 = 120V 230 = 230V* 277 = 277V

*230 Voltage only available for 0-10V Dimming

Finish

B = Black W = White S = Silver

Example Part Number:

LP230-ZE3 08-90 30 04 - NXB- CT4-DX 120 W

FIXTURE MODEL LED RATING COLOR TEMP OPTIC CROSS BAFFLE FITTING DIMMING VOLTAGE FINISH

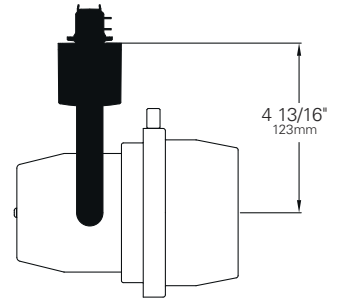
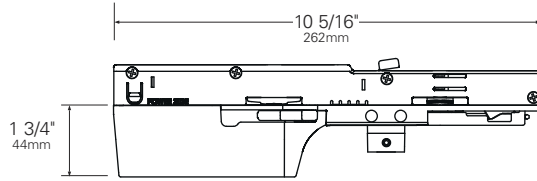
Other Options (Consult Factory):

- Custom Stems, specify length (4" - 48")
- Custom color, RAL palette
- Wrench Locking (WL)

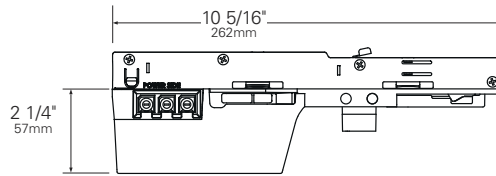
LP230 • MOUNTING OPTIONS

FITTING	SIDE VIEW	SIDE VIEW
---------	-----------	-----------

CT2 CONTROLTrack Fitting



CT4 CONTROLTrack Fitting



LP230 • PERFORMANCE

The performance characteristics of the LED family of products can be customized based on the LED module and the optic selected.

Each available LED module is defined by five characteristics – the color rendering index (CRI), the correlated color temperature (CCT), the power that it uses (watts), its “available lumens,” and beam spread. Note that available lumens is a theoretical value that represents the light output of the module on its own – no fixture or optic attached.

In the LSI part number, the LED module is specified with a letter and a number that immediately follow the product series number. For example, in the part number LP230-ZE308-903004-NXB-CT2-10120W, the “ZE308-903004” represents an LED module with an output of 810 lumens, a CRI of 90, a power usage of 13 watts, a color temperature of 3000K, and a 4-degree beam.

Additional parameters, such as Center Beam Candle Power (CBCP), Delivered Lumens, and Efficiency (Lumens per Watt) are all shown in a table that is organized by LED module and optic combination.

CBCP = Center Beam Candle Power

LED Module	Optic (Reflector)
Lumens/CRI/Wattage	04°
810/90/13	85,617

Delivered Lumens

LED Module	Optic (Reflector)
Lumens/CRI/Wattage	04°
810/90/13	393

Efficiency = Lumens Per Watt

LED Module	Optic (Reflector)
Lumens/CRI/Wattage	04°
810/90/13	30

Absolute range of values are +/- 10% of typical value, and are for all color temperatures

LED Module	
Lumens/CRI/Wattage	810/90/13
Letter Code	08-90
Nominal Fixture Power (+/- 20%), Watts	13
Maximum Inrush Current, Amps	10
Minimum Power Factor	0.92

Inrush current is instantaneous current drawn by the LED only when fixture is initially powered on or instantaneously changed from full dim to full bright. For more details see Dimming Application Sheet, IS-0119.

LP230 • PHOTOMETRIC DATA

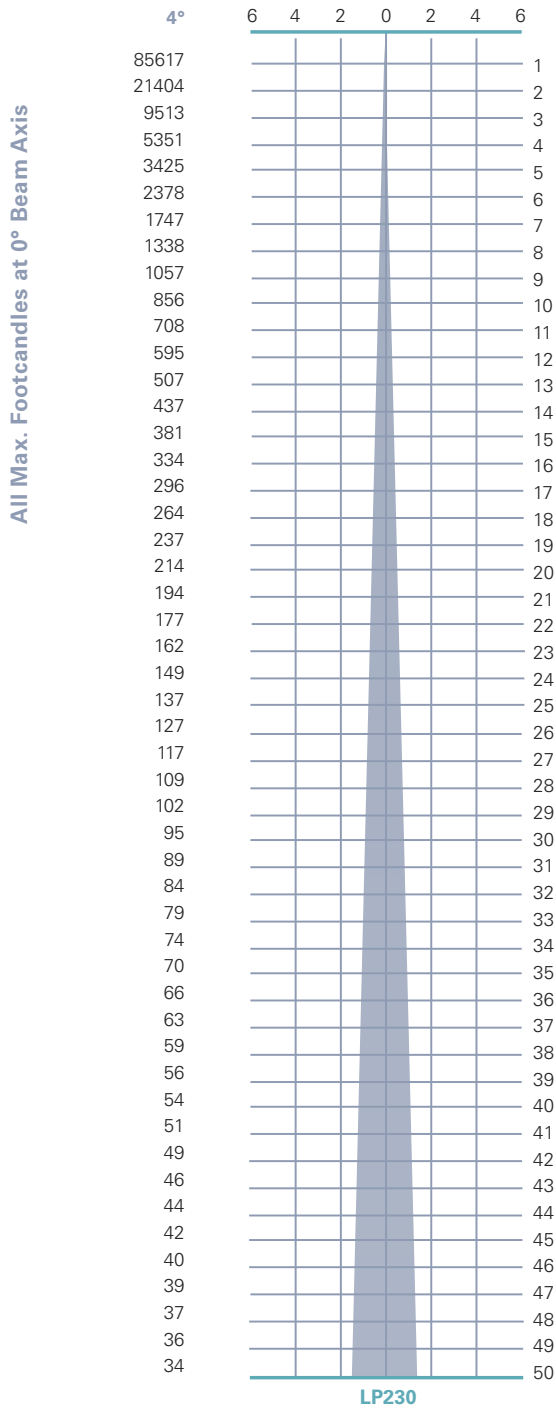
LED RATING: 08-90

Beam Spread (minimum)
Center Beam Candlepower
CRI

4°
85,617
90+

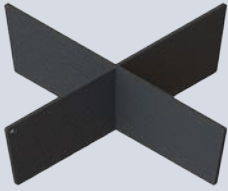
LED RATING: 08-90

All Distances in Feet



Photometric Data based on LED Rating:
08-90 (810 Lumens/90CRI/13watts)

LP230 • ACCESSORIES



CROSS BAFFLE SSL230 (CRSBFFL SSL230B)

Eliminates frontal spill light and glare when spread gels are used.
Black finish.

LP230 • GELS

As the foremost innovator in accent lighting, LSI offers a complete range of pre-cut Gels to modify the spread and color of light.



SPREAD GELS

Size: A-RIM (89 mm diameter)	Spread Gel
GEL-L1-A-RIM	1° Spread Gel
GEL-L5-A-RIM	5° Spread Gel
GEL-L10-A-RIM	10° Spread Gel
GEL-L20-A-RIM	20° Spread Gel
GEL-L30-A-RIM	30° Spread Gel
GEL-L40-A-RIM	40° Spread Gel
GEL-L60-A-RIM	60° Spread Gel
GEL-L80-A-RIM	80° Spread Gel
GEL-L30X5-A-RIM	30° by 5° Spread Gel
GEL-L40X1-A-RIM	40° by 1° Spread Gel
GEL-L60X1-A-RIM	60° by 1° Spread Gel
GEL-L60X10-A-RIM	60° by 10° Spread Gel
GEL-L75X45-A-RIM	75° by 45° Spread Gel
GEL-L90X60-A-RIM	90° by 60° Spread Gel
GEL-R101-A-RIM	Beam Softener

COLOR GELS

Size: A-RIM (89 mm diameter)	Gel Color	% of Light Transmission	Size: A-RIM (89 mm diameter)	Gel Color	% of Light Transmission
GEL-R2-A-RIM	Bastard Amber	78	GEL-R312-A-RIM	Canary	85
GEL-R7-A-RIM	Pale Yellow	96	GEL-R331-A-RIM	Shell Pink	68
GEL-R12-A-RIM	Straw	88	GEL-R383-A-RIM	Sapphire Blue	4
GEL-R13-A-RIM	Straw Tint	78	GEL-R397-A-RIM	Pale Grey	70
GEL-R14-A-RIM	Medium Straw	68	GEL-R2001-A-RIM	Storaro Red	12
GEL-R21-A-RIM	Golden Amber	43	GEL-R2004-A-RIM	Storaro Green	15
GEL-R25-A-RIM	Orange Red	14	GEL-R2009-A-RIM	Storaro Violet	3
GEL-R26-A-RIM	Light Red	12	GEL-R3202-A-RIM	Full Blue	36
GEL-R27-A-RIM	Medium Red	4	GEL-R3204-A-RIM	Half Blue	52
GEL-R57-A-RIM	Lavender	24	GEL-R3206-A-RIM	Third Blue	64
GEL-R62-A-RIM	Booster Blue	54	GEL-R3216-A-RIM	Eighth Blue (Boosts 3200K to 3300K)	81
GEL-R71-A-RIM	Sea Blue	30	GEL-R3318-A-RIM	Tough 1/8 Minusgreen	89
GEL-R72-A-RIM	Azure Blue	44	GEL-R3410-A-RIM	Roscoun (1/8 CTO) (Reduces 5500K to 4900K)	92
GEL-R91-A-RIM	Primary Green	7	GEL-R3441-A-RIM	Full Straw (CTS)	50
GEL-R97-A-RIM	Light Grey	50	GEL-R3443-A-RIM	Quarter Straw (CTS)	81
GEL-R98-A-RIM	Medium Grey	25	GEL-R4330-A-RIM	CalColor 30 Cyan	63
GEL-R101-A-RIM	Light Frost	N/A	GEL-R4415-A-RIM	CalColor 15 Green	67
GEL-R104-A-RIM	Tough Silk	N/A	GEL-R4490-A-RIM	CalColor 90 Green	25
GEL-R119-A-RIM	Lt. Hamburg Frost	N/A	GEL-R4860-A-RIM	CalColor 60 Pink	46
GEL-R121-A-RIM	Blue Diffusion	N/A	GEL-R4890-A-RIM	CalColor 90 Pink	38
GEL-R305-A-RIM	Rose Gold	75	GEL-R4930-A-RIM	CalColor 30 Lavender	47

LSI ROSCO GEL CCT CONVERSION CHART FROM 3000K

Type	ROSCO #	ROSCO Description	Resulting CCT
Amber Filters Lower CCT	3420	Double CTO	1531
	3407	Sun CTO	1999
	3401	Sun 85	2154
	3411	Sun 3/4 CTO	2154
	3408	Sun 1/2 CTO	2414
	3409	Sun 1/4 CTO	2664
	3410	Sun 1/8 CTO	2830
	3114	UV Filter	2930
Blue Filters Raise CCT	3220	Double Blue	N/A
	3202	Full Blue	4942
	3203	Three-Quarter Blue	4286
	3204	Half Blue	3769
	3206	Third Blue	3517
	3208	Quarter Blue	3297
	3216	Eighth Blue	3112