

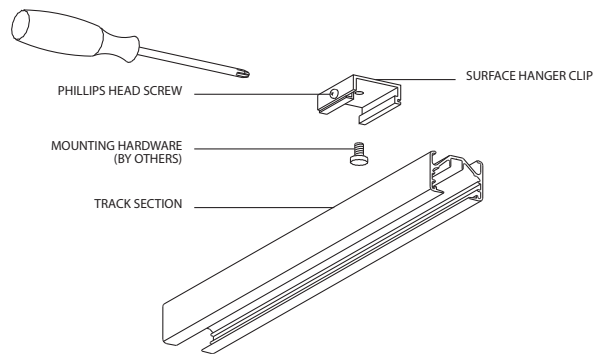
MOUNTING SYSTEMS • INSTALLATION

General Notes

When installing or using this track system, basic safety precautions should always be followed, including the following: Read all instructions. Do not install this track in damp or wet locations. Do not install any part of the track system less than five feet (120V Track) or eight feet (277V Track) from floor. Do not install any fixture assembly closer than six inches from any curtain or similar combustible material. Disconnect electrical power before adding to or changing the configuration of the track. Check with a qualified electrician. Do not attempt to energize anything other than lighting track fixtures on the track. To reduce the risk of fire and electric shock, do not attempt to connect power tools, extension cords, appliances and the like to the track. Install per NEC and local codes. Save these instructions.

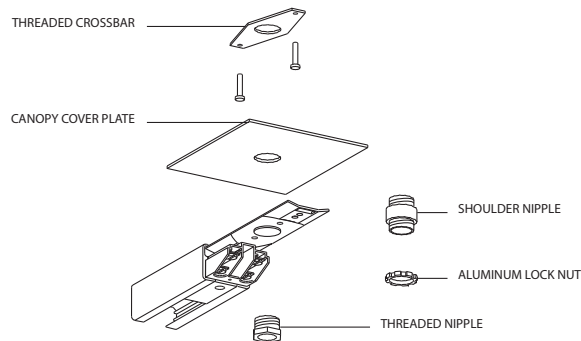
Mounting Surface Hanger Clips

Fasten Surface Hanger Clip directly to surface through pre-punched 1/4 inch (6mm) mounting hole with hardware (by others) capable of withstanding a 50 lb. pull. Install Track onto Surface Hanger Clips by tightening the Phillips head screw after the track is seated. Mount Track in compliance with NEC Lighting Track Article #410-101 (Installation), #410-104 (Fastening) and any other applicable codes. LSI recommends a minimum of two mounting points per section of track. LSI track can be mounted on centers up to 6'-0".



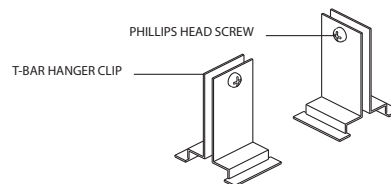
Canopy Kits (with and without Surface Hanger Clips)

Mount threaded crossbar to 4 inch octagonal outlet box (by others). Install Canopy cover plate and End Feed or Joiner/Feeder to the threaded crossbar by means of threaded nipple. Use shoulder nipple and aluminum locknut when using Surface Hanger Clips.

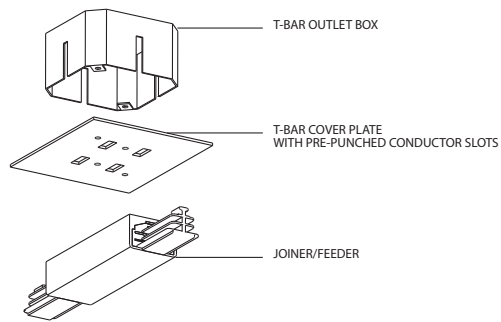


T-Bar Hanger Clips

Use T-Bar Hanger Clips when mounting track to a T-Bar ceiling. T-Bar Hanger Clips can be used parallel or at right angles to ceiling system. Lock the clips together with the single Phillips head screw located at the top of the clip. LSI recommends a minimum of two mounting points per section of track. LSI track can be mounted on centers up to 6'-0". Two clips per package.

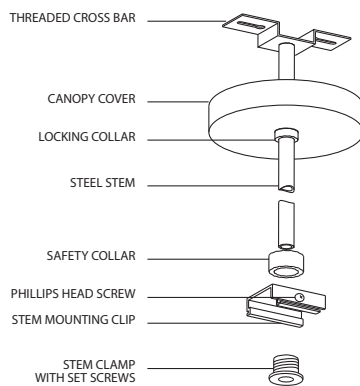


MOUNTING SYSTEMS • INSTALLATION



T-Bar Joiner/Feeders with Canopy Kit

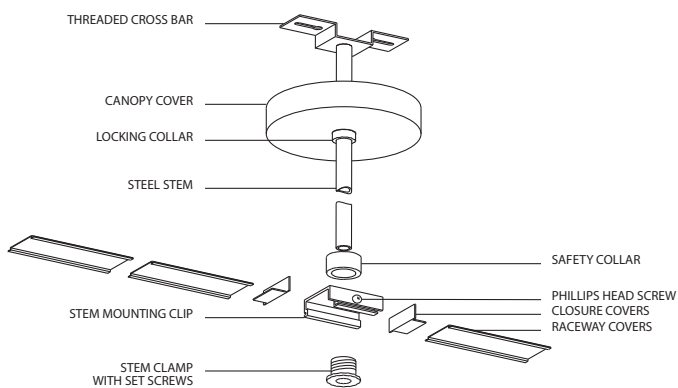
Mount supplied T-Bar outlet box on top of T-Bar ceiling. Install T-Bar Joiner/Feeder and T-Bar cover plate with screws provided. Bring conductors through the pre-punched slots to energize End Feed or Joiner/Feeder.



Field Cuttable Support and Feed Stem Mounting

For normal usage, LSI recommends a minimum of two mounting points per section of track. LSI track can be mounted on centers up to 6'-0". Determine the length of the stem required and cut with a sharp hacksaw or a chop saw with a blade suitable for steel.

Support Stem Mount threaded crossbar to surface with hardware (by others) capable of withstanding a 50 lb. pull. Secure canopy cover in place using set screw located in locking collar (or two #8-32 screws for Hang Straight Stem). Install stem mounting clip by first pushing safety collar, then stem mounting clip up onto the stem. Fasten the stem clamp onto the stem by tightening the two set screws firmly. Thread safety collar onto the stem clamp making sure it seats all the way. Safety collar will not seat properly if set screws are not tightened. Install track onto stem mounting clip by tightening the Phillips head screw after track is seated.

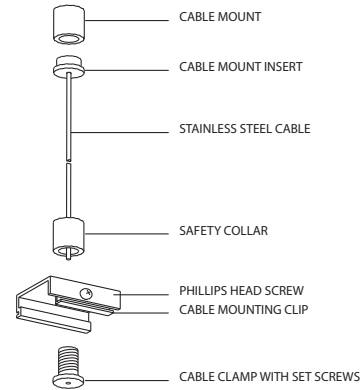


Feed Stem Feed Stem is assembled the same way as the support stem with three exceptions. 1. Mount threaded crossbar to 4 inch octagonal outlet box (by others). 2. Feed conductors through stem prior to mounting onto outlet box or track. 3. Raceway covers and closure covers must be installed in order to run wires to the nearest End Feed or Joiner/Feeder.

MOUNTING SYSTEMS • INSTALLATION

Field Cuttable Stainless Steel Cable Support Mounting

Do not cut cable prior to assembling. Mount Cable Mount with #10 screw or from top with 1/4-20 hardware (by others) capable of withstanding a 50 lb. pull. Thread the cable and cable mount insert into the bottom of the cable mount. Install cable mounting clip by first pushing safety collar, then cable mounting clip up onto the cable. Fasten the cable clamp onto the cable by tightening the two set screws firmly. Thread safety collar onto the cable clamp making sure it seats all the way. Safety collar will not seat properly if set screws are not tightened. Install track onto cable mounting clip by tightening the Phillips head screw after track is seated. Extra cable can lay in top section of the track.



General Notes

Field Cuttable Feed Kit for Stainless Steel Cable Supports

Determine the length of the flexible conduit required and cut with a sharp hacksaw or a chop saw with a non-ferrous blade. Attach conduit connector to cut end of flexible conduit. Mount crossbar to a 4 inch octagonal outlet box (by others). Feed conductors through flexible conduit. Attach 5 inch diameter canopy to threaded crossbar. Attach flexible conduit to an End Feed or Joiner/Feeder conduit plate with aluminum locking nut.

