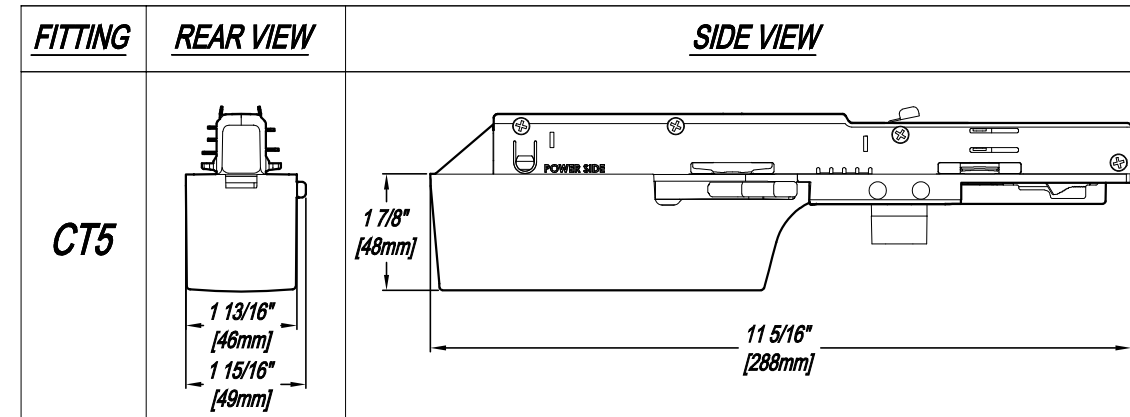
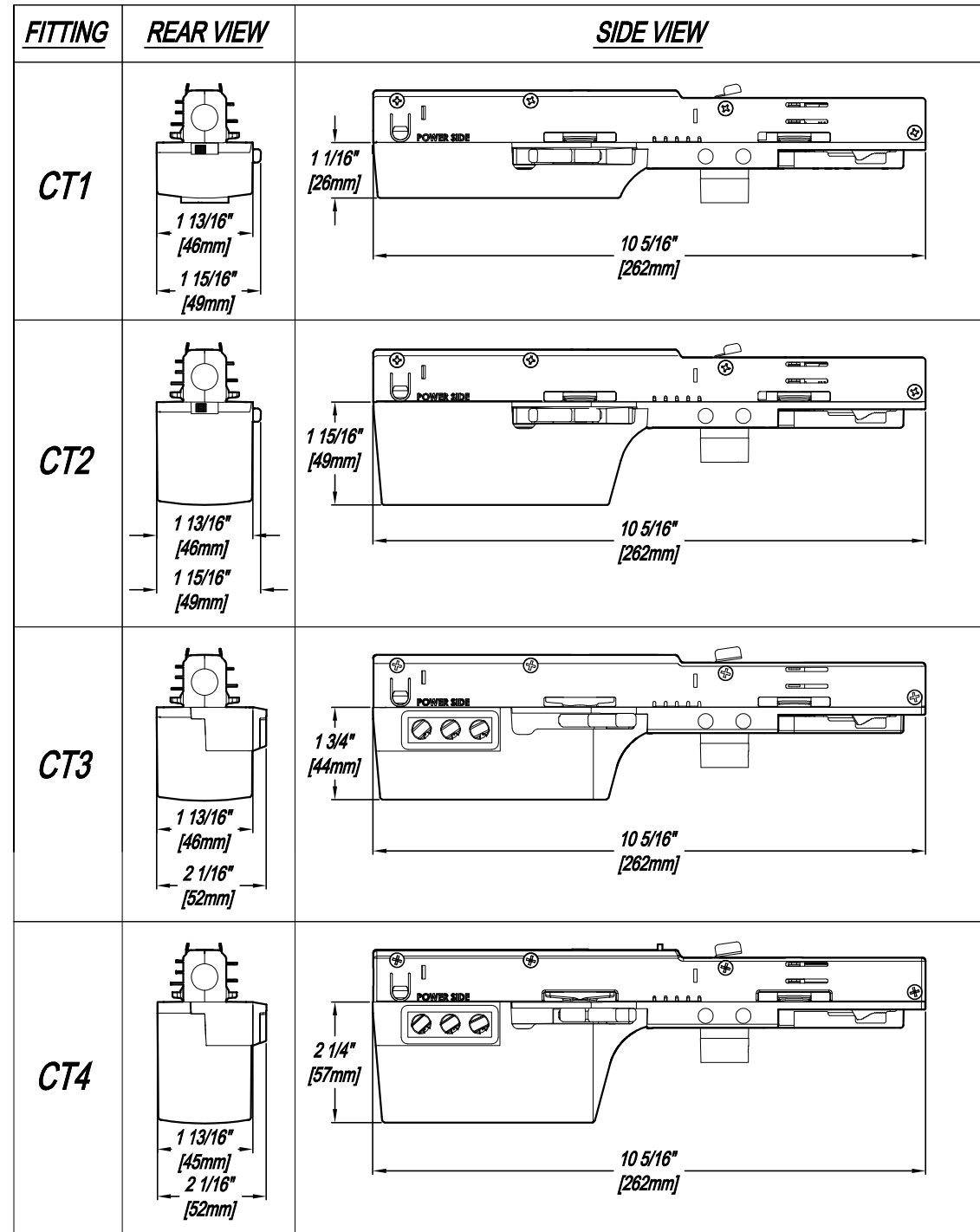




Rev.	ECO	By	Date	App.	Description
M	7777	JC	10/27/23	AS	RELEASED FOR MARKETING



Fixture	0-10V (0.1%) [10]	0-10V (10%) [10] (DIM TO WARM ONLY)	DMX (<1%) [DMX]	LUTRON ECOSYSTEM [L3]	PHASE DIMMING [TE]	INTEGRAL DIMMING (0.1%) [ED]	PHASE DIMMING [LE]
LZ ZOOM	CT2		CT4	CT5			
BPM	CT1		CT3	CT5			
LP1	CT1		CT3	CT5			
LP2	CT1		CT3	CT1			
LP4	CT1		CT1				
LP230	CT2		CT4				
LP260	CT2		CT4				
LPW8	CT1		CT3				
UV8							
UV90							
UV94							
UV1560							
UV LINEAR							
LX2020	CT2		CT4				
LX2030	CT2	CT2	CT4	CT5			
LX2030-B18	CT2		CT3				
LX2031	CT2		CT4	CT5			
LX2031-B18	CT2		CT3				
LX2038	CT2	CT2	CT4	CT5			
LX2038-B18	CT2		CT3				
LX2044	CT1	CT1	CT3	CT5			
LX2044-ZE3	CT1		CT3	CT5			
LX2044-B18	CT2		CT3				
LX2047	CT1		CT3	CT5			
LX2047-B18	CT2		CT3				
LX2048	CT1	CT1	CT3	CT5			
LX2048-B18	CT2		CT3				
LX2060	CT1	CT1	CT3	CT1*			
LX2060-B18	CT2		CT3				
LX2084	CT1	CT1	CT3	CT1			
LX2084-B18	CT2		CT3				
LX2087	CT1		CT3	CT1			
LX2087-B18	CT2		CT3				
LX2088	CT1	CT1	CT3	CT1			
LX2088-B18	CT2		CT3				

*Power Limited

CONFIDENTIAL—PROPRIETARY INFORMATION. THE INFORMATION HEREIN IS PROTECTED UNDER COPYRIGHT AND IS OF A PROPRIETARY NATURE AND IS SUBMITTED IN CONFIDENCE FOR USE BY OUR CLIENTS ONLY. UNAUTHORIZED REPRODUCTION, PUBLICATION, DISTRIBUTION OR DISSEMINATION IN WHOLE OR IN PART, IS EXPRESSLY PROHIBITED. THE INFORMATION CONTAINED HEREIN IS AND REMAINS THE PROPERTY OF LIGHTING SERVICES INC AND RECEIPT OR POSSESSION OF THIS INFORMATION CONFERS NO RIGHT IN OR LICENSE TO USE OR TO DISCLOSE TO OTHERS THE SUBJECT MATTER CONTAINED HEREIN FOR ANY BUT AUTHORIZED PURPOSES. COPYRIGHT LIGHTING SERVICES INC ALL RIGHTS RESERVED.

Title		Type	Description				
			<i>LSI FITTING LAYOUT</i>				
Drawn by	Date	Checked by	Date	Scale	Sheet	Drawing No.	Rev
VA	10/24/17	JC	11/01/17	NONE	1 OF 4	SK-00137	M