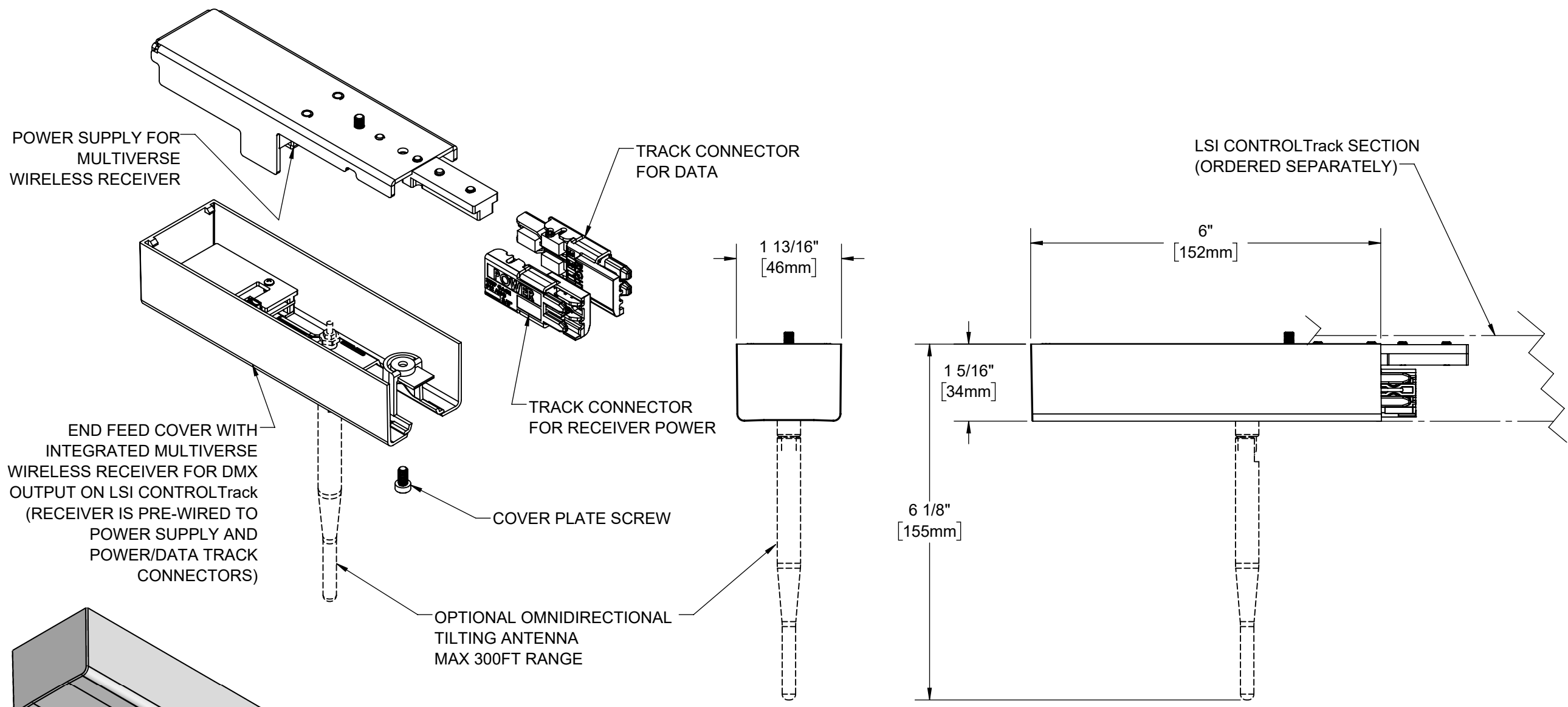


D



LIGHTING SERVICES INC
 2 HOLT DRIVE
 STONY POINT, NY 10980
 +1 845 942-2800
 www.LightingServicesInc.com

STATUS
SUBMITTAL

REVISIONS				
REV.	ECO	BY	DATE	CHK
B	7605B	BL	1/25/24	JC

RELEASE FOR APPROVAL

TITLE

TYPE

DESCRIPTION

LSI CONTROLTrack SURFACE
 END FEED WITH MULTIVERSE
 WIRELESS DMX RECEIVER

DWG NO

TRK-SC-EE1X-XXXXXXX

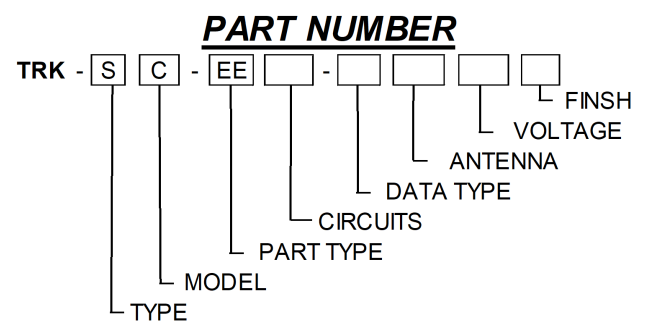
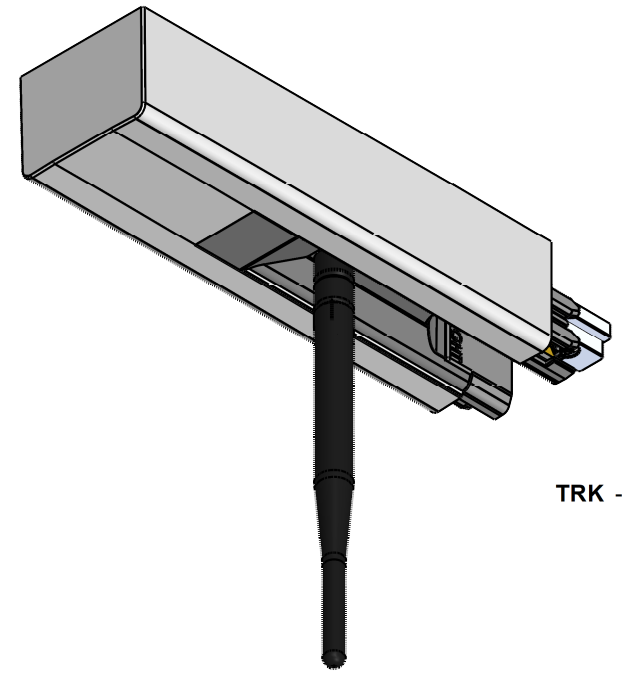
CONFIDENTIAL AND PROPRIETARY

SCALE 1:2	SHEET 1 OF 1	REV B
--------------	-----------------	----------

C

B

A



EXAMPLE PART NUMBER:
 TRK-SC-EE1L-MX9A120B IS A 120V CONTROLTrack
 END FEED IN BLACK WITH AN INTEGRATED
 MULTIVERSE 900MHz RECEIVER AND EXTERNAL
 OMNIDIRECTIONAL ANTENNA

TYPE	MODEL	PART TYPE	CIRCUITS
<input type="checkbox"/> S = SURFACE	<input type="checkbox"/> C = CONTROLTrack	<input type="checkbox"/> EE = END FEED	<input type="checkbox"/> 1L = 1 CIRCUIT, LEFT <input type="checkbox"/> 1R = 1 CIRCUIT, RIGHT
DATA TYPE	ANTENNA	VOLTAGE	FINISH
<input type="checkbox"/> MX9 = MULTIVERSE, 900Mhz WIRELESS DMX	<input type="checkbox"/> N = INTERNAL <input type="checkbox"/> A = OMNI DIRECTIONAL, TILT	<input type="checkbox"/> 120 = 120V <input type="checkbox"/> 230 = 230V <input type="checkbox"/> 277 = 277V	<input type="checkbox"/> B = BLACK <input type="checkbox"/> W = WHITE <input type="checkbox"/> S = SILVER

- NOTE:
1. INSTALL PER NEC AND ALL OTHER CODES
 2. ALL DIMENSIONS GIVEN IN INCHES
 3. ±1/16" UNLESS OTHERWISE SPECIFIED