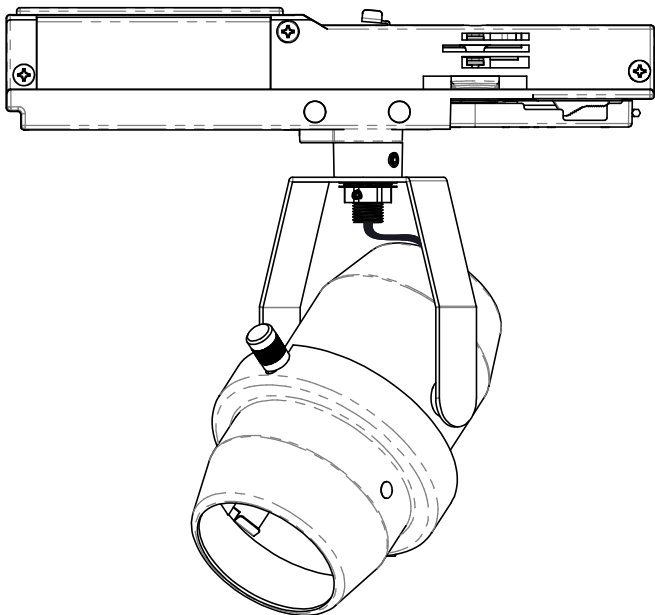


LP260 FIXTURE INSTALLATION AND OPERATION INSTRUCTIONS



PRODUCT OVERVIEW

THE LP260 SERIES IS A TIGHTLY FOCUSED LED FIXTURE, SPECIFICALLY DESIGNED FOR SHORT AND MEDIUM THROW APPLICATIONS. THIS EFFICIENT, 4 WATT LED FIXTURE CREATES A 4 DEGREE BEAM WITH 26,000 CBCP WITH 270 LUMENS.

TABLE OF CONTENTS

PAGE 2: INSTALLING THE FIXTURE WITH THE -00 FITTING ON AN LSI TRACK

PAGE 3: INSTALLING THE FIXTURE WITH THE -CT OR -PT FITTING ON AN LSI CONTROLTrack OR POWERTrack

PAGE 4: INSTALLING THE FIXTURE WITH A 5A OR 5B CANOPY

PAGE 5: ACCESSORIES

PAGE 6: CROSS BAFFLE



TO PREVENT RISK OF SHOCK, TURN OFF ELECTRICITY PRIOR TO INSTALLATION OR MAINTENANCE



TO PREVENT RISK OF FIRE, KEEP AWAY FROM COMBUSTIBLE MATERIALS

IMPORTANT SAFETY INSTRUCTIONS

THIS PRODUCT MUST BE INSTALLED IN ACCORDANCE WITH NATIONAL ELECTRICAL CODES AND ALL OTHER LOCAL CODES BY A PERSON FAMILIAR WITH THE CONSTRUCTION AND OPERATION OF THE PRODUCT AND THE HAZARDS INVOLVED.

- SEE THE FIXTURE LABEL FOR VOLTAGE AND WATTAGE INPUT.
- PLEASE CONSULT OUR PRODUCT CATALOG OR WEBSITE FOR AVAILABLE ACCESSORIES.
- WE RECOMMEND ANY ACCESSORIES ARE INSTALLED BEFORE FIXTURE INSTALLATION.
- PRIOR TO PERFORMING MAINTENANCE, TURN OFF AND DISCONNECT THE POWER TO THE FIXTURE AND ALLOW THE FIXTURE TO COOL OFF.
- DO NOT LOOK DIRECTLY AT THE LIT LED.

SAVE THESE INSTRUCTIONS

CONFIDENTIAL-PROPRIETARY INFORMATION - THE INFORMATION HEREIN IS PROTECTED UNDER COPYRIGHT AND IS OF A PROPRIETARY NATURE AND IS SUBMITTED IN CONFIDENCE FOR USE BY OUR CLIENTS ONLY. UNAUTHORIZED REPRODUCTION, PUBLICATION, DISTRIBUTION OR DISSEMINATION IN WHOLE OR PART, IS EXPRESSLY PROHIBITED. THE INFORMATION CONTAINED HEREIN IS AND REMAINS THE PROPERTY OF LIGHTING SERVICES INC. AND RECEIPT OR POSSESSION OF THIS INFORMATION CONFERS NO RIGHT IN OR LICENSE TO DISCLOSE TO OTHERS THE SUBJECT MATTER CONTAINED HEREIN FOR ANY BUT AUTHORIZED PURPOSES. COPYRIGHT LIGHTING SERVICES INC. ALL RIGHTS RESERVED



LP260 FIXTURE INSTALLATION AND OPERATION INSTRUCTIONS

INSTALLING THE FIXTURE WITH THE -00 FITTING ON AN LSI TRACK

FOR USE WITH LSI 3, 4, 5, 6, 8, AND 9 SERIES TRACK ONLY.

INSTALLATION INSTRUCTIONS: THE TRACK MUST ALREADY BE INSTALLED ACCORDING TO CODE REQUIREMENTS. WHEN INSTALLING OR USING THIS TRACK SYSTEM, BASIC SAFETY PRECAUTIONS SHOULD ALWAYS BE FOLLOWED, INCLUDING THE FOLLOWING:

- READ ALL INSTRUCTIONS.
 - DO NOT INSTALL ANY PART OF A TRACK SYSTEM LESS THAN 5 FEET ABOVE THE FLOOR (8 FEET FOR 277 VOLT).
 - DO NOT INSTALL ANY FIXTURE CLOSER THAN 6 INCHES FROM ANY CURTAIN OR SIMILARLY COMBUSTIBLE MATERIAL.
1. FLIP THE FITTING SWITCH OFF AND OPEN THE POWER HANDLE (**FIG. 1**).
 2. ARE YOU USING A ONE-CIRCUIT OR TWO-CIRCUIT SYSTEM?
 - *IF ONE-CIRCUIT*, MAKE SURE THE BRASS CONTACTS THAT PROTRUDE FROM THE SIDE OF THE FITTING FACE THE COPPER BUSBARS INSIDE THE TRACK.
 - *IF TWO-CIRCUIT*, INSERTING THE FITTING IN ONE DIRECTION CONNECTS TO CIRCUIT ONE. REMOVING AND REVERSING THE DIRECTION OF THE FITTING CONNECTS TO CIRCUIT TWO.
 3. INSERT THE FITTING STRAIGHT UP INTO THE TRACK UNTIL FULLY SEATED (**FIG. 2**).
 4. CLOSE THE POWER HANDLE AND FLIP THE FITTING SWITCH ON (**FIG. 3**).
WARNING: DO NOT LOOK DIRECTLY AT LIT LED.
 5. TO REMOVE THE FITTING, HOLD THE FIXTURE IN PLACE, FLIP THE FITTING SWITCH OFF, OPEN THE POWER HANDLE, AND PULL THE FITTING STRAIGHT OFF THE TRACK.

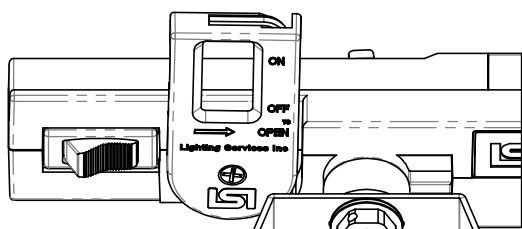


FIGURE 1. FITTING WITH SWITCH OFF AND POWER HANDLE OPEN

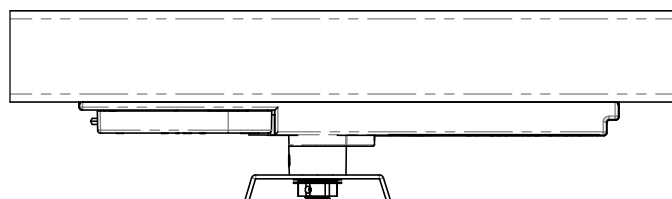


FIGURE 2. INSERTED FITTING

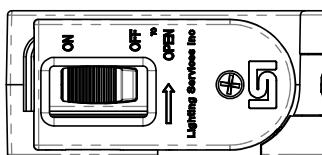


FIGURE 3. FITTING WITH SWITCH ON AND POWER HANDLE CLOSED



LP260 FIXTURE INSTALLATION AND OPERATION INSTRUCTIONS

INSTALLING THE FIXTURE WITH THE -CT OR -PT FITTING ON AN LSI CONTROLTrack OR POWERTrack

FOR USE WITH LSI CONTROLTrack OR POWERTrack SYSTEMS ONLY.

INSTALLATION INSTRUCTIONS: THE TRACK MUST ALREADY BE INSTALLED ACCORDING TO CODE REQUIREMENTS. WHEN INSTALLING OR USING THIS TRACK SYSTEM, BASIC SAFETY PRECAUTIONS SHOULD ALWAYS BE FOLLOWED, INCLUDING THE FOLLOWING:

- READ ALL INSTRUCTIONS.
 - DO NOT INSTALL ANY PART OF A TRACK SYSTEM LESS THAN 5 FEET ABOVE THE FLOOR (8 FEET FOR 277 VOLT).
 - DO NOT INSTALL ANY FIXTURE CLOSER THAN 6 INCHES FROM ANY CURTAIN OR SIMILARLY COMBUSTIBLE MATERIAL.
1. FLIP THE FITTING SWITCH OFF, OPEN THE POWER HANDLE (**FIG. 4**) AND OPEN THE DATA HANDLE (**FIG. 6**).
 2. ARE YOU USING A CONTROLTrack OR POWERTrack SYSTEM?
 - *IF CONTROLTrack*, MAKE SURE THE BRASS CONTACTS THAT CONNECT THE POWER ARE ON THE CORRECT SIDE. THE TRACK WILL HAVE ONE SIDE FOR POWER AND ONE SIDE FOR DATA. THE FITTING MUST BE INSERTED FACING THE PROPER DIRECTION.
 - *IF POWERTrack*, THIS MAY A ONE-CIRCUIT OR TWO-CIRCUIT SYSTEM. IF ONE-CIRCUIT, MAKE SURE THE BRASS CONTACTS THAT CONNECT THE POWER ARE ON THE CORRECT SIDE. IF TWO-CIRCUIT, INSERTING THE FITTING IN ONE DIRECTION CONNECTS TO CIRCUIT ONE. REMOVING AND REVERSING THE DIRECTION OF THE FITTING CONNECTS TO CIRCUIT TWO.
 3. INSERT THE FITTING STRAIGHT UP INTO THE TRACK UNTIL FULLY SEATED (**FIG. 6**).
 4. CLOSE THE POWER AND DATA HANDLES AND FLIP THE FITTING SWITCH ON (**FIG. 5, 7**).
WARNING: DO NOT LOOK DIRECTLY AT LIT LED.
 5. TO REMOVE THE FITTING, HOLD THE FIXTURE IN PLACE, FLIP THE FITTING SWITCH TO OFF, OPEN THE POWER AND DATA HANDLES, AND PULL THE FITTING STRAIGHT OFF THE TRACK.

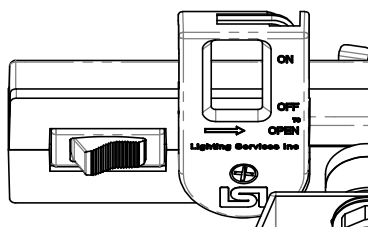


FIGURE 4. FITTING WITH SWITCH OFF AND POWER HANDLE OPEN

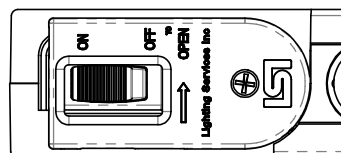


FIGURE 5. FITTING WITH SWITCH ON AND POWER HANDLE CLOSED

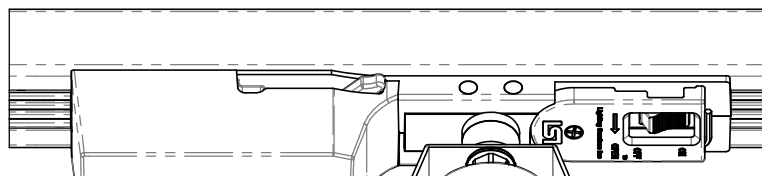


FIGURE 6. FITTING INSERTED IN TRACK, DATA HANDLE OPEN

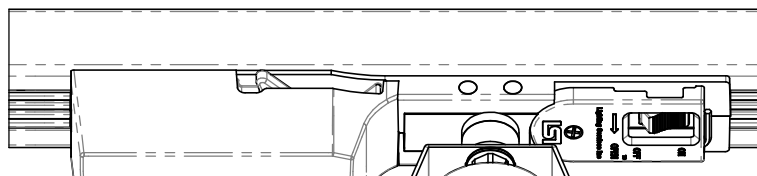


FIGURE 7. FITTING INSERTED IN TRACK, DATA HANDLE CLOSED



LP260 FIXTURE INSTALLATION AND OPERATION INSTRUCTIONS

INSTALLING THE FIXTURE WITH A 5A OR 5B CANOPY

BEFORE INSTALLING: CONSULT THE CODE REQUIREMENTS FOR FIXTURE MOUNTING. MOUNT THE FIXTURE TO A CEILING CONSTRUCTED OF NON-COMBUSTIBLE MATERIAL, AWAY FROM ANY FLAMMABLE MATERIALS.

INSTALLATION INSTRUCTIONS:

1. TURN OFF ALL POWER TO THE FIXTURE MOUNT.
2. REMOVE THE TWO SUPPLIED CANOPY MOUNTING SCREWS, AND CROSSBAR, FROM THE HARDWARE BAG SUPPLIED WITH THE FIXTURE.
3. ATTACH THE CANOPY CROSSBAR (**FIG. 9**) TO A CEILING JUNCTION BOX WITH TWO SCREWS (SUPPLIED BY OTHERS).
4. FASTEN THE POWER WIRES (**FIG. 9**) FROM THE JUNCTION BOX TO THE LED DRIVER.

*IF 5A CANOPY, SECURE THE DRIVER INSIDE THE JUNCTION BOX WITH TAPE SUPPLIED, TAKING CARE NOT TO PINCH OR DAMAGE ANY WIRES (**FIG. 9**).*

*IF 5B CANOPY, YOU MAY USE THE SUPPLIED CROSSBAR HOOK TO HOLD THE FIXTURE IN PLACE WHILE COMPLETING WIRING CONNECTIONS (**FIG. 10**).*

NOTE: CONNECT GREEN TO GROUND, BLACK TO THE CIRCUIT LINE, AND WHITE TO NEUTRAL.

5. ATTACH THE CANOPY TO THE CEILING WITH THE TWO SUPPLIED CANOPY MOUNTING SCREWS (**FIG. 11**).

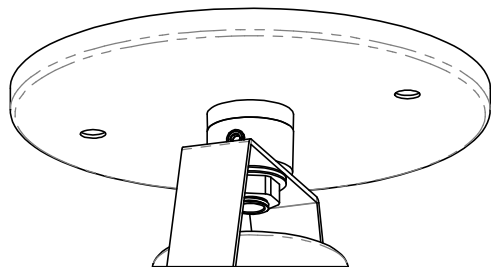


FIGURE 8. FIXTURE MOUNTED ON A 5A CANOPY

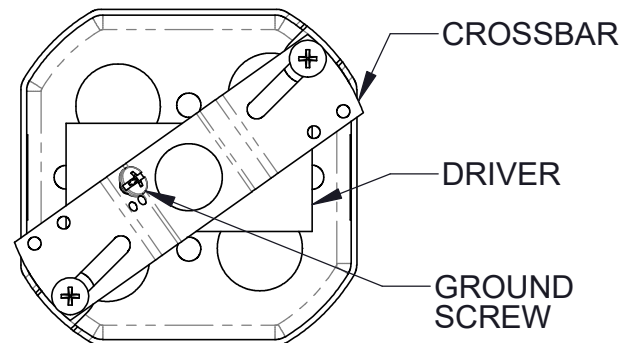


FIGURE 9. JUNCTION BOX, CROSSBAR, GROUND SCREW (GREEN), AND A DRIVER SECURED (5A CANOPY)

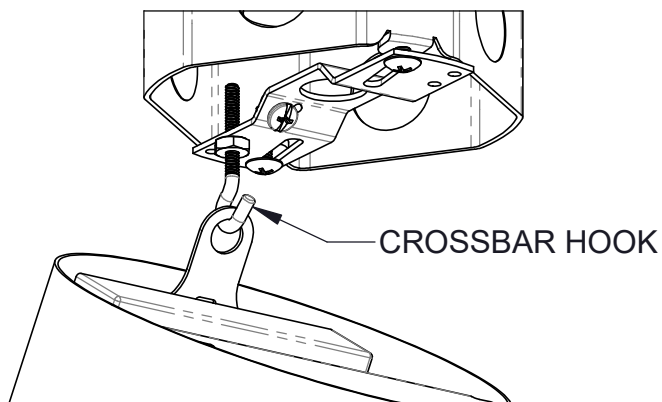


FIGURE 10. 5B CANOPY MOUNTED TO CROSSBAR HOOK

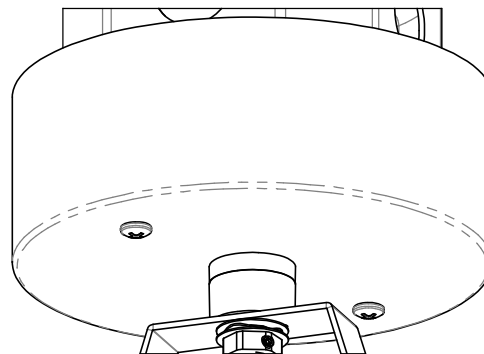


FIGURE 11. INSTALLED 5B CANOPY



LP260 FIXTURE INSTALLATION AND OPERATION INSTRUCTIONS

ACCESSORIES

1. TURN FIXTURE SWITCH OFF AND LET FIXTURE COOL.
WARNING: LED MODULE AND FIXTURE MAY BE HOT.
2. OPEN THE FIXTURE VIA THE RELAMPING KNOB (FIG. 12).
3. YOU CAN INSERT ANY "AAA" SIZE ACCESSORY INTO THE FRONT, VIA INTERNAL SPRING CLIPS (FIG. 13, 14). THE LP260 FIXTURE FRONT CAN HOLD UP TO TWO ACCESSORIES.
4. CLOSE FRONT AND TURN RELAMPING KNOB CLOCKWISE UNTIL SNUG.
5. TURN FIXTURE SWITCH ON.
WARNING: DO NOT LOOK DIRECTLY AT LIT LED.

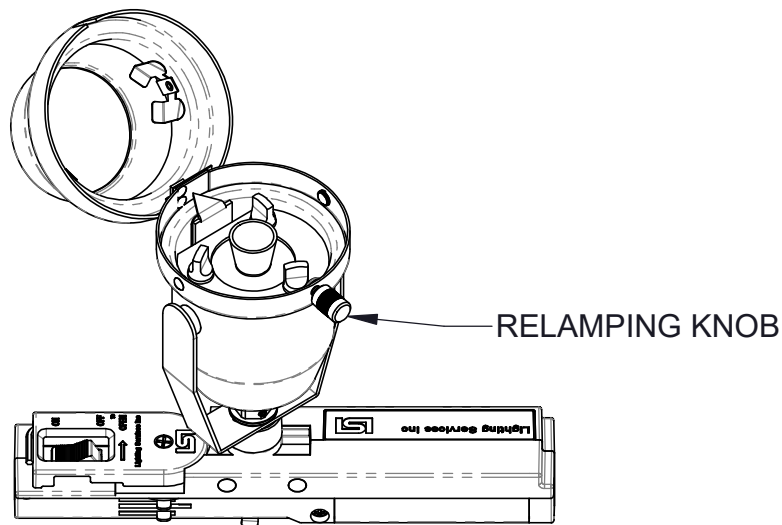


FIGURE 12. FIXTURE OPENED

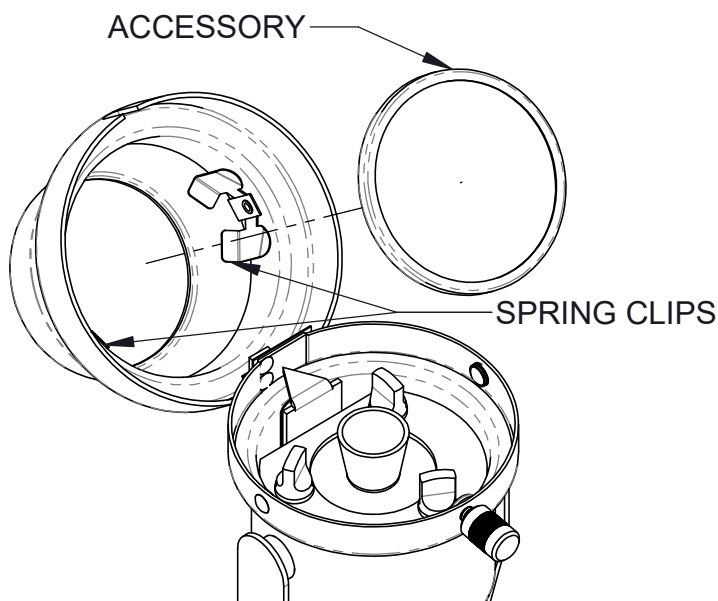


FIGURE 13. ACCESSORY BEING PLACED INTO FIXTURE FRONT

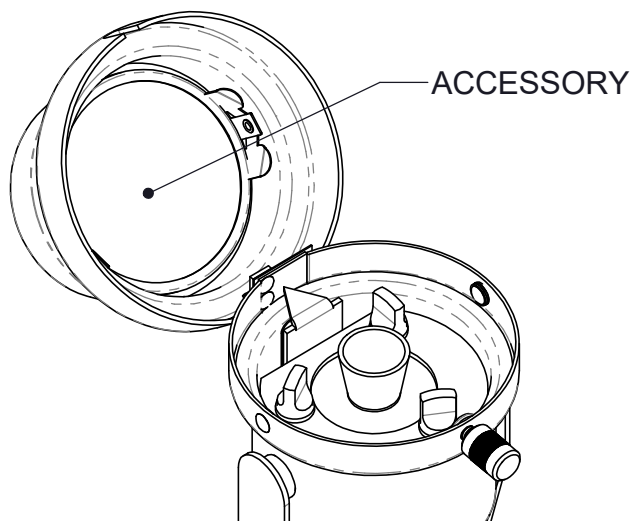


FIGURE 14. ACCESSORY INSTALLED IN FIXTURE FRONT



CROSS BAFFLE (FOR GLARE CONTROL WHEN USING GEL ACCESSORIES)

1. TURN FIXTURE SWITCH OFF AND LET FIXTURE COOL.
WARNING: LED MODULE AND FIXTURE MAY BE HOT.
2. OPEN THE FIXTURE VIA THE RELAMPING KNOB (FIG. 15).
3. REMOVE ANY ACCESSORIES FROM FIXTURE FRONT (FIG. 16).
4. PLACE CROSS BAFFLE STRAIGHT INTO FIXTURE FRONT BEING SURE TO AVOID INTERNAL SPRING CLIPS (FIG. 17).
5. REINSERT ACCESSORIES AND CLOSE THE FRONT OF THE FIXTURE (FIG. 17, 18).
6. TURN THE RELAMPING KNOB CLOCKWISE UNTIL SNUG.
7. TURN FIXTURE SWITCH ON.
WARNING: DO NOT LOOK DIRECTLY AT LIT LED.

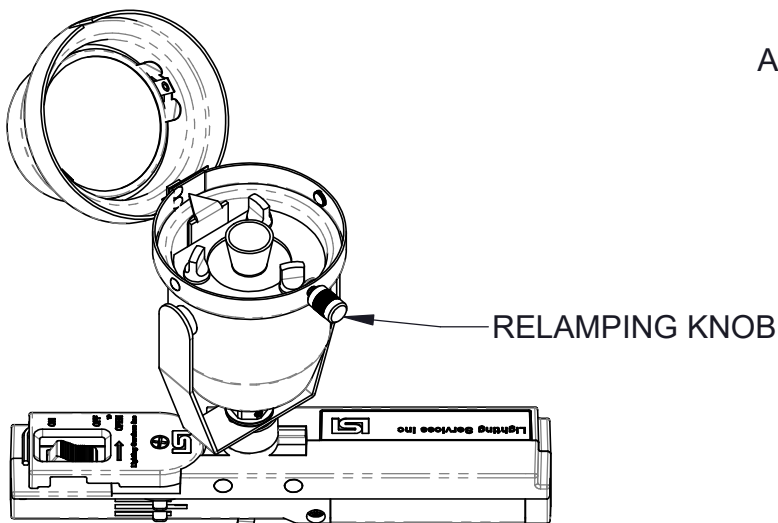


FIGURE 15. FIXTURE FRONT OPEN

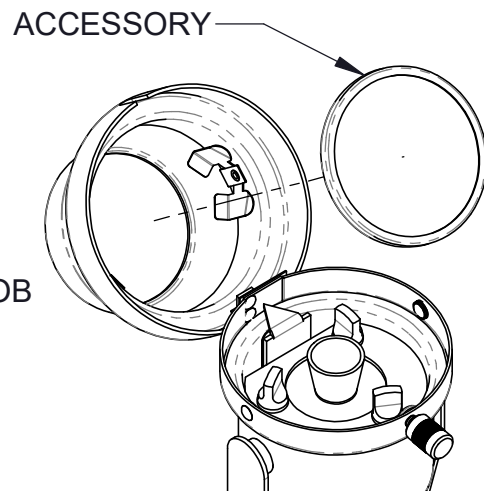


FIGURE 16. ACCESSORY REMOVED FROM FIXTURE FRONT

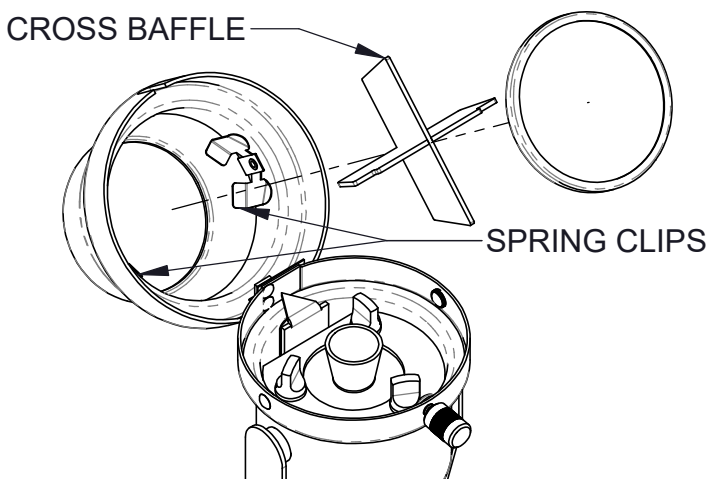


FIGURE 17. CROSS BAFFLE INSTALLATION SEQUENCE

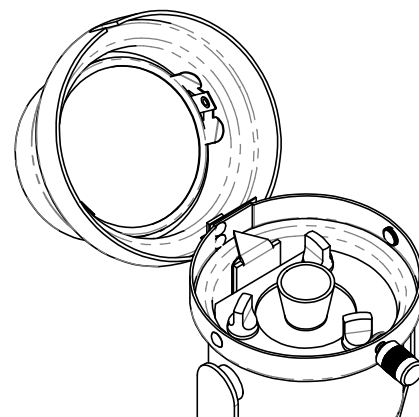


FIGURE 18. CROSS BAFFLE AND ACCESSORY INSTALLED

