

LX2044 • 120/277V • BRIDGELUX 18MM • CONTROLTrack COMPATIBLE



Elegant fixture designed specifically for the most demanding architecture applications.

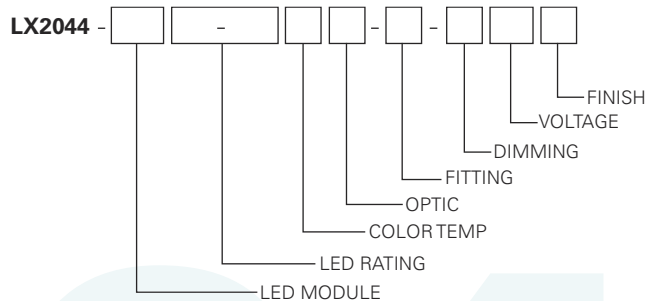
- Designed for the Bridgelux 18mm LED module up to 23 Watts
- Extremely tight color consistency: 2 MacAdam Ellipses
- System efficiency up to 101 lumens/watt
- 60,000 hour life to 70% lumen output, L70 at 95°F max ambient
- Choice of color temperature
- Color Rendering Index (CRI) of 90
- Color Fidelity (R_f) 89
- Gamut Area Index (R_g) 103
- Choice of lumen outputs (delivered lumens)
- Tested to LM79 and LM80 Protocols, TM-30 available
- 0-10V dimming allows for 2 zones of control on one circuit CONTROLTrack down to 0.1%, with convenient zone selection switch
- DMX compatible with dimming below 1%
- Lutron EcoSystem compatible with dimming to 0.1% (Lutron Hi-Lume Premier 0.1% EcoSystem LED Driver)
- Lutron EcoSystem features soft-on, fade to black, smooth flicker-free dimming from 0-100% (Meets IEEE 1789 for flicker)
- Field interchangeable optics (15°- 60°) modify the beam spread distribution
- Accessory holder accepts up to two size-AA LSI filters and accessories
- Finishes: LSI Black, White, and Silver
- Fixture weight: 3.5 lbs
- All modules are field replaceable

FIXTURE PART NUMBERS

Please review the **ORDERING INFORMATION** section on the next page as well as the **MOUNTING OPTIONS** on page 3 to create a part number for each fixture that specifies the following:

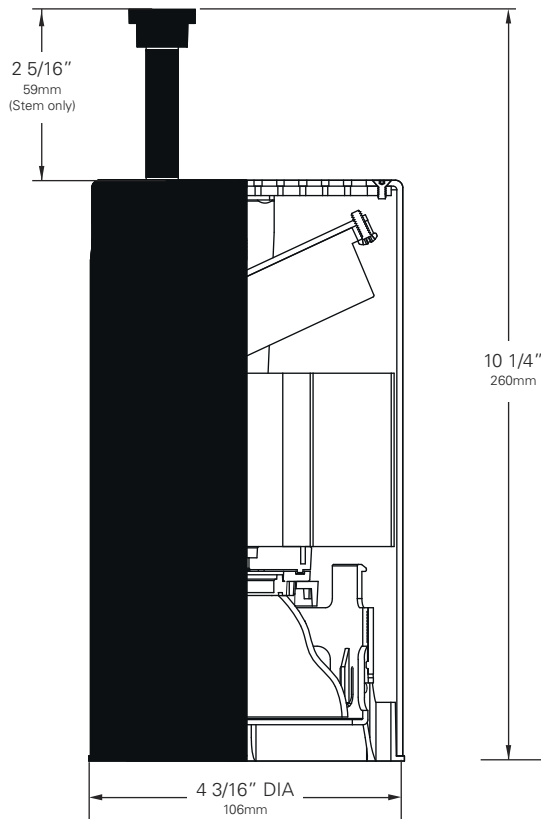
- LED Module
- LED Rating
- Color Temperature
- Optic (mm/beam spread)
- Fitting/Controls (Dimming)
- Voltage
- Finish

PART NUMBER



Example Part Number: **LX2044-V1828-9030M2-CT3-DX120W** is a fixture with a Bridgelux 18mm LED module, 2800 Lumen/90 CRI/23 Watt LED rating, 3000°K Color Temperature, 70mm 20° Optic, CT3 CONTROLTrack fitting with DMX Address knobs and DMX compatible control gear, 120V and a White finish.

LX2044 • 120/277V • BRIDGELUX 18MM • CONTROLTrack COMPATIBLE



Chromaticity Specifications

Color Temp	Center Point	Tolerance
2700K	2722K	+/- 48K
3000K	3051K	+/- 56K
3500K	3476K	+/- 72K
4000K	3988K	+/- 93K

Chromaticity Specifications

LED	R _a -CRI	R _f -Fidelity	R _g -Gamut Area
V18	92	89	103

BRIDGELUX 18MM ORDERING INFORMATION

Base Fixture Model

- LX2044-V18 (Bridgelux 18mm)

LED Rating (Lumens/CRI/Wattage)

- 28-90 = 2800/90/23

Color Temperature

- 27 = 2700K 30 = 3000K
 35 = 3500K 40 = 4000K

Optic

- WR = 72mm/ 15° Field Reducer
 M2 = 70mm/ 20° Narrow Field Angle
 M4 = 70mm/ 35° Narrow Field Angle
 M6 = 70mm/ 60° Wide Field Angle
 M8 = 70mm/ 40° Wide Field Angle
 M9 = 70mm/ 20° Wide Field Angle

Fitting/Controls (Dimming)

- CT1-10 = CONTROLTrack Fitting & 0-10V (0.1%)
 CT3-DX = CONTROLTrack Fitting & DMX (<1%)
 CT5-L3 = CONTROLTrack Fitting & Lutron EcoSystem (0.1% soft on/off)

Voltage

- 120 = 120V 230 = 220-240V 277 = 277V

Finish

- B = Black W = White S = Silver

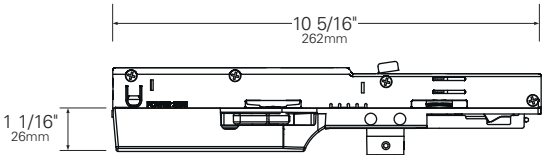
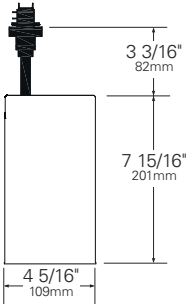
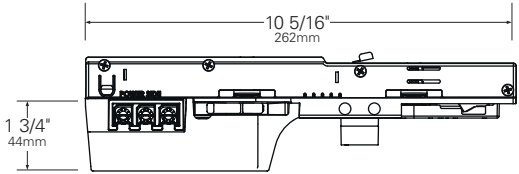
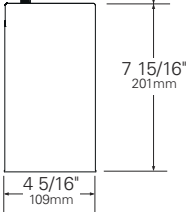
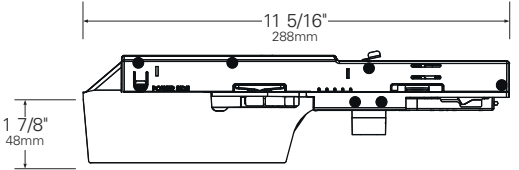
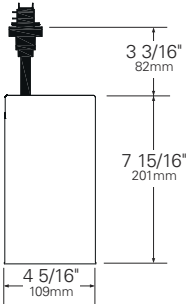
Example Part Number:

LX2044-V18 **28-90** **30** **M2 - CT3-DX** **120** **W**
FIXTURE MODEL LED RATING COLOR TEMP OPTIC FITTING/ DIMMING VOLTAGE FINISH

Other Options (Consult Factory):

- Custom Stems, specify length (4" - 48")
- Custom color, RAL palette

LX2044 • MOUNTING OPTIONS

FITTING	SIDE VIEW	STEM LENGTH VIEW
<p>CT1 CONTROLTrack Fitting</p>		
<p>CT3 CONTROLTrack Fitting</p>		
<p>CT5 CONTROLTrack Fitting</p>		

LX2044 • PERFORMANCE

The performance characteristics of the LumeLEX family of products can be customized based on the LED module and the optic (reflector) selected.

Each available LED module is defined by four characteristics – the color rendering index (CRI), the correlated color temperature (CCT), the power that it uses (watts), and its “available lumens.” Note that available lumens is a theoretical value that represents the light output of the module on its own – no fixture or optic attached.

In the LSI part number, the LED module is specified with a letter and a number that immediately follow the product series number. For example, in the part number LX2044-V1828-9027M2-CT3-DX120B, the “**V1828-9027**” represents an LED module with an output of 2800 lumens, a CRI of 90, a power usage of 23 watts and a color temperature of 2700K.

The available optics (reflectors) are characterized by size, beam angle, and in some cases the characteristics of the field angle (narrow or wide). The optic is specified by the two characters that follow the LED designation in the part number. For example, the “**M2**” in LX2044-V1828-9027M2-CT3-DX120B is a 70mm diameter optic that has a 20-Degree beam with a narrow field.

Additional parameters, such as Center Beam Candle Power (CBCP), Delivered Lumens, and Efficiency (Lumens per Watt) are all shown in a table that is organized by LED module and optic combination.

CBCP = Center Beam Candle Power*

LED Module	Optic (Reflector)					
Lumens/CRI/Wattage	M2	WR	M4	M6	M8	M9
2800/90/23	6,748	5,796	5,376	2,576	3,948	6,916

Delivered Lumens*

LED Module	Optic (Reflector)					
Lumens/CRI/Wattage	M2	WR	M4	M6	M8	M9
2800/90/23	1,092	616	1,624	2,016	2,324	2,324

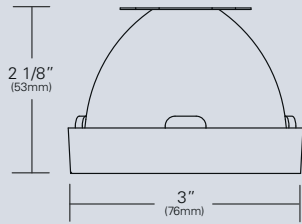
Efficiency = Lumens Per Watt*

LED Module	Optic (Reflector)					
Lumens/CRI/Wattage	M2	WR	M4	M6	M8	M9
2800/90/23	47	27	71	88	101	101

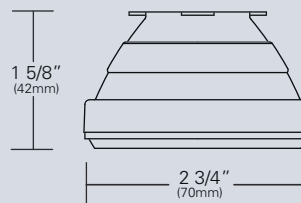
*Preliminary Data

LED Module	
Lumens/CRI/Wattage SKU Code	2800/90/23 28-90
Nominal Fixture Power (+/- 20%), Watts	23
Maximum Inrush Current Amps	10
Minimum Power Factor	0.92

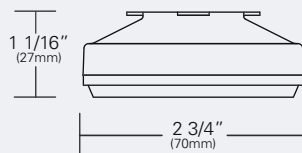
LX2044 • OPTICS



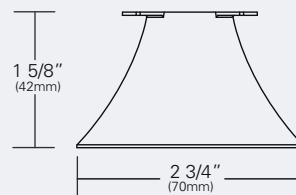
**LX-WRD-REF-CLR (WR)
(72mm/15°)**
Field reducer. Proprietary field reducing baffle (black) with aluminized reflector. Tool-less, twist and lock installation.



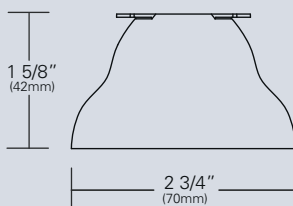
**LX-M20-REF-B (M2)
(70mm/20°)
(Narrow Field Angle)**
Computer designed polycarbonate lens. Tool-less, twist and lock installation. Black finish.



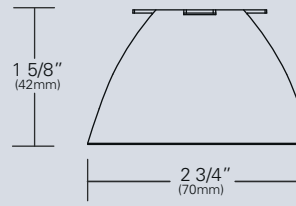
**LX-M40-REF-B (M4)
(70mm/35°)
(Narrow Field Angle)**
Computer designed polycarbonate specular optic. Tool-less, twist and lock installation. Black finish.



**LX-M60-REF-CLR (M6)
(70mm/60°)
(Wide Field Angle)**
Computer designed polycarbonate specular optic. Tool-less, twist and lock installation. Aluminized finish.



**LX-M80-REF-CLR (M8)
(70mm/40°)
(Wide Field Angle)**
Computer designed polycarbonate specular optic. Tool-less, twist and lock installation. Aluminized finish.



**LX-M90-REF-CLR (M9)
(70mm/20°)
(Wide Field Angle)**
Computer designed polycarbonate specular optic. Tool-less, twist and lock installation. Aluminized finish.

LX2044 • PHOTOMETRIC DATA

LED RATING: 28-90*

WR- 72mm DIA Optic (FR: Field Reducer)	
Beam Spread (minimum)	15°
Center Beam Candlepower	5796
CRI	90
M2- 70mm DIA Optic (NFA: Narrow Field Angle)	
Beam Spread (minimum)	20°
Center Beam Candlepower	6748
CRI	90
M4- 70mm DIA Optic (NFA: Narrow Field Angle)	
Beam Spread (minimum)	35°
Center Beam Candlepower	5376
CRI	90
M6- 70mm DIA Optic (WFA: Wide Field Angle)	
Beam Spread (minimum)	60°
Center Beam Candlepower	2576
CRI	90
M8- 70mm DIA Optic (WFA: Wide Field Angle)	
Beam Spread (minimum)	40°
Center Beam Candlepower	3948
CRI	90
M9- 70mm DIA Optic (WFA: Wide Field Angle)	
Beam Spread (minimum)	20°
Center Beam Candlepower	6916
CRI	90

*Preliminary Data

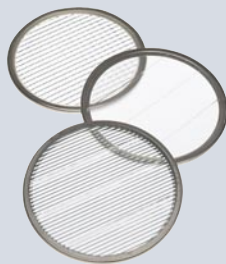
LED RATING: 28-90

	LED RATING: 28-90						All Distances in Feet						
	M6 (60°) WFA	M8 (40°) WFA	M4 (35°) NFA	M9 (20°) WFA	M2 (20°) NFA	WR (15°) FR	6	4	2	0	2	4	6
1	2576	3948	5376	6916	6748	5796							
2	644	987	1344	1729	1687	1449							
3	286	439	597	768	750	644							
4	161	247	336	432	422	362							
5	103	158	215	277	270	232							
6	72	110	149	192	187	161							
7	53	81	110	141	138	118							
8	40	62	84	108	105	91							
9	32	49	66	85	83	72							
10	26	39	54	69	67	58							
11	21	33	44	57	56	48							
12	18	27	37	48	47	40							
13	15	23	32	41	40	34							
14	13	20	27	35	34	30							
15	11	18	24	31	30	26							
16	10	15	21	27	26	23							
17	9	14	19	24	23	20							
18	8	12	17	21	21	18							
19	7	11	15	19	19	16							
20	6	10	13	17	17	14							
21	6	9	12	16	15	13							
22	5	8	11	14	14	12							
23	5	7	10	13	13	11							
24	4	7	9	12	12	10							
25	4	6	9	11	11	9							

All Max. Footcandles at 0° Beam Axis

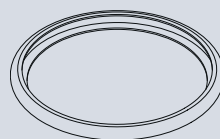
Photometric Data based on LED Rating: 28-90 (2800 Lumens/90CRI/23watts)
*WFA Optics not represented in graph

LX2044 • ACCESSORIES



SPREAD LENSES AND BEAM SOFTENER

No.	Description	% of Light Transmission
AA990	Spread Lens/Clear	83 (5°X 50°)
AA992	Spread Lens/Clear	85 (5°X 30°)
AA995	Spread Lens/Clear	83 (50°X 50°)
AA996	Spread Lens/Clear	86 (45°X 50°)
AA998	Beam Softener/Clear	80 (45°X 45°)



BACKER RING AAB

Aluminum ring to hold gel when no other size AA accessories are being used. Black finish.



1' LIGHT BLOCKING SCREENS AA

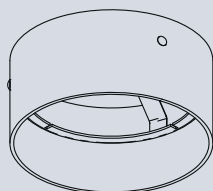
Stainless steel mesh screens used alone or in combinations will block from approximately 20% to 90% of the transmitted light without changing color temperature of the light.

No.	% of Light Blocked
AA801S	20
AA802S	30
AA803S	40



LOUVER HEX AAB

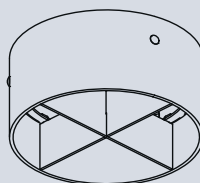
1/8" thick Hexcell black metal louver used for thin profile. Black finish.



HOOD-EXT-LX44-NXB-X

Externally mounted cylindrical metal hood controls spill light and glare. Does not include cross baffle.

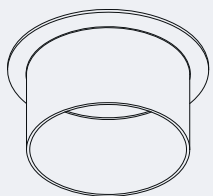
Specify finish as follows:
 HOOD-EXT-LX44-NXB-B (BLACK)
 HOOD-EXT-LX44-NXB-W (WHITE)
 HOOD-EXT-LX44-NXB-S (SILVER)



HOOD-EXT-LX44-WXB-X

Externally mounted cylindrical metal hood controls spill light and glare. Includes cross baffle.

Specify finish as follows:
 HOOD-EXT-LX44-WXB-B (BLACK)
 HOOD-EXT-LX44-WXB-W (WHITE)
 HOOD-EXT-LX44-WXB-S (SILVER)



HOOD AAX

Internally mounted cylindrical metal hood controls spill light and glare.

Specify finish as follows:
 HOOD AAB (BLACK)
 HOOD AAW (WHITE)
 HOOD AAS (SILVER)

1. Figures vary based upon LED Module/Optic being used and relationship of screen(s) to LED Module/Optic and to each other.

LX2044 • GELS

As the foremost innovator in accent lighting, LSI offers a complete range of pre-cut Gels to modify the spread and color of light for the LumeLEX LED Series.



LumeLEX® SPREAD GELS

Size: AA (76 mm diameter)	Spread Gel
GEL-L1-AA	1° Spread Gel
GEL-L5-AA	5° Spread Gel
GEL-L10-AA	10° Spread Gel
GEL-L20-AA	20° Spread Gel
GEL-L30-AA	30° Spread Gel
GEL-L40-AA	40° Spread Gel
GEL-L60-AA	60° Spread Gel
GEL-L80-AA	80° Spread Gel
GEL-L30X5-AA	30° by 5° Spread Gel
GEL-L40X1-AA	40° by 1° Spread Gel
GEL-L60X1-AA	60° by 1° Spread Gel
GEL-L60X10-AA	60° by 10° Spread Gel
GEL-L75X45-AA	75° by 45° Spread Gel
GEL-L80X50-AA	80° by 50° Spread Gel
GEL-R101-AA	Beam Softener

LumeLEX® COLOR GELS

Size: AA (76 mm diameter)	Gel Color	% of Light Transmission	Size: AA (76 mm diameter)	Gel Color	% of Light Transmission
GEL-R2-AA	Bastard Amber	78	GEL-R312-AA	Canary	85
GEL-R7-AA	Pale Yellow	96	GEL-R331-AA	Shell Pink	68
GEL-R12-AA	Straw	88	GEL-R383-AA	Sapphire Blue	4
GEL-R13-AA	Straw Tint	78	GEL-R397-AA	Pale Grey	70
GEL-R14-AA	Medium Straw	68	GEL-R2001-AA	Storaro Red	12
GEL-R21-AA	Golden Amber	43	GEL-R2004-AA	Storaro Green	15
GEL-R25-AA	Orange Red	14	GEL-R2009-AA	Storaro Violet	3
GEL-R26-AA	Light Red	12	GEL-R3202-AA	Full Blue	36
GEL-R27-AA	Medium Red	4	GEL-R3204-AA	Half Blue	52
GEL-R57-AA	Lavender	24	GEL-R3206-AA	Third Blue	64
GEL-R62-AA	Booster Blue	54	GEL-R3216-AA	Eighth Blue (Boosts 3200K to 3300K)	81
GEL-R71-AA	Sea Blue	30	GEL-R3318-AA	Tough 1/8 Minusgreen	89
GEL-R72-AA	Azure Blue	44	GEL-R3410-AA	Roscocsun (1/8 CTO) (Reduces 5500K to 4900K)	92
GEL-R91-AA	Primary Green	7	GEL-R3441-AA	Full Straw (CTS)	50
GEL-R97-AA	Light Grey	50	GEL-R3443-AA	Quarter Straw (CTS)	81
GEL-R98-AA	Medium Grey	25	GEL-R4330-AA	CalColor 30 Cyan	63
GEL-R101-AA	Light Frost	N/A	GEL-R4415-AA	CalColor 15 Green	67
GEL-R104-AA	Tough Silk	N/A	GEL-R4490-AA	CalColor 90 Green	25
GEL-R119-AA	Lt. Hamburg Frost	N/A	GEL-R4860-AA	CalColor 60 Pink	46
GEL-R121-AA	Blue Diffusion	N/A	GEL-R4890-AA	CalColor 90 Pink	38
GEL-R305-AA	Rose Gold	75	GEL-R4930-AA	CalColor 30 Lavender	47

* Backer Ring AAB required to hold gels when no other rimmed "AA" accessories are used.

LSI ROSCO GEL CCT CONVERSION CHART FROM 3000K			
Type	ROSCO #	ROSCO Description	Resulting CCT
Amber Filters Lower CCT	3420	Double CTO	1531
	3407	Sun CTO	1999
	3401	Sun 85	2154
	3411	Sun 3/4 CTO	2154
	3408	Sun 1/2 CTO	2414
	3409	Sun 1/4 CTO	2664
	3410	Sun 1/8 CTO	2830
	3114	UV Filter	2930
Blue Filters Raise CCT	3220	Double Blue	N/A
	3202	Full Blue	4942
	3203	Three-Quarter Blue	4286
	3204	Half Blue	3769
	3206	Third Blue	3517
	3208	Quarter Blue	3297
	3216	Eighth Blue	3112

COLOR MEDIA

COLOR FILTERS

As the foremost innovator in accent lighting, LSI offers a complete range of permanent fade-free glass color filters, which are available in four stock diameters. All glass color filters are rimmed in a seamless aluminum ring and are slotted for heat expansion.



Size	Diameter	LSI Fixture Series	No.	Color	% of Light Transmission
AAA	2 3/8"	LumeLEX® 2020/2030/2031/2038, SSLCX16, SSL260	902	Medium Pink	36
			903	Deep Pink	37
AA	3"	LumeLEX® 2044, LumeLEX 2048	904	Flesh Pink	73
			906	Pale Lavender	14
A	3 1/2"	LumeLEX® 2060, SSL230, SSLCX30, SSLGR30CL	907	Surprise Pink	19
			908	Lilac	21
C	4 3/4"	LumeLEX® 2084, LumeLEX® 2088, SSL238, SSLCX36, SSLCX38, SSLGR38CL	910	Warm Red	10
			911	Strawberry	6
			912	Ruby	4
			913	Magenta	1
			914	Light Amethyst	25
			915	Medium Amethyst	16
			916	Deep Amethyst	4
			917	Olive	18
			918	Light Green	68
			920	Medium Green	25
			921	Deep Green	7
			922	Silver green	65
			923	Yellow Green	49
			924	Emerald Green	12
			925	Light Turquoise	68
			926	Medium Turquoise	40
			927	Deep Turquoise	17
			928	Light Blue	34
			930	Medium Blue	3
			932	Daylight	59
			933	Gene Moore Blue	18
			936	Grey	56
			937	Light Blue Green	17
			939	Light Amber	68
			940	Medium Amber	48
			941	Deep Amber	43
			942	Straw	78
			943	Gold	87
			944	Canary Yellow	84
			945	Lemon	81
			946	Pumpkin	32
			947	Tangerine	20
			948	Orange	23
			949	Pink Gold	54
			950	Bronze	48
			951	Brass	11
			952	Autumn Tan	11
			953	Leaf Brown	19
			954	Butter Pecan	3
			955	Toasted Almond	1

Notes:

1. Values given are approximate due to slight variations in glass color and thickness.

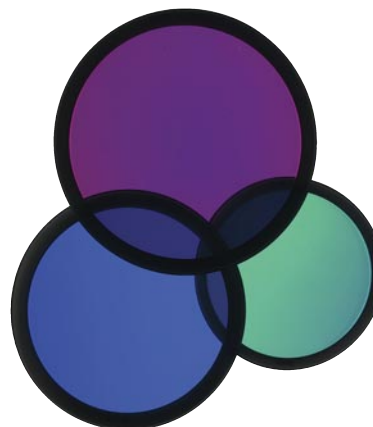
COLOR MEDIA

DICHROIC COLOR FILTERS

In addition to our complete line of glass color filters, LSI now offers dichroic glass color filters that achieve purer, more saturated, richer color by selective wavelength transmission. Since these filters reflect rather than absorb the unwanted color wavelengths, a higher intensity of colored light can be obtained with fewer or lower wattage fixtures. In addition, this selective transmission allows for very accurate color matching from filter to filter.

All standard LSI filter sizes are available in a wide palette of well chosen dichroic colors that can be used with all LSI fixtures that accept accessories.

LSI dichroic glass color filters have the added benefit of being rimmed for extra durability to allow for frequent usage without fear of breakage or edge chipping.



Size	Diameter	LSI Fixture Series	Technical Data	No.	Color	% of Light Transmission
AAA	2 3/8"	LumeLEX® 2020/2030/2031/2038, SSLCX16, SSL260	Dichroic color filters are created in a vacuum chamber by multi-layer vapor deposits of different minerals onto low expansion, chemically resistant Borosilicate glass.	2001	Light Pink	69
AA	3"	LumeLEX® 2044, LumeLEX 2048	Deposits are made in alternating layers of varying microscopic thickness which allow very narrow color wavelengths to be selectively transmitted and all other wavelengths to be reflected.	2002	Medium Pink	43
A	3 1/2"	LumeLEX® 2060, SSL230, SSLCX30, SSLGR30CL	LSI does not recommend using dichroic color filters with lamps or fixtures that have beam spreads greater than 40° because a secondary color aura is created by the wide angular transmitted wavelengths that are different than the desired color wavelength.	2003	Hot Pink	11
C	4 3/4"	LumeLEX® 2084, LumeLEX® 2088, SSL238, SSLCX36, SSLCX38, SSLGR38CL	Since there is mainly transmission and reflection of the color wavelengths by the dichroic filter and very little absorption, the dichroic filter can be used with many high temperature lights that normally would not accept color filters.	2004	Pale Pink	55
				2010	Deep Magenta	29
				2011	Lavender	24
				2012	Vivid Magenta	31
				2013	Lavender Accent	48
				2014	Lilac	37
				2015	Purple Fusion	12
				2020	Sky Blue	39
				2021	Sea Blue	39
				2022	Cyan	33
				2023	Light Blue Green	30
				2024	Primary Blue	24
				2025	Medium Red Blue	15
				2026	Deep Purple	16
				2027	Peacock Blue	53
				2028	Mediterranean Blue	20
				2029	Boost Blue	51
				2040	Light Yellow Green	64
				2041	Fern Green	47
				2042	Turquoise	35
				2043	Primary Green	31
				2044	Industrial Green	64
				2050	Yellow	80
				2051	Amber	71
				2052	Amber Blush	38
				2053	Bastard Amber	71
				2054	Goldenrod	63
				2055	Bright Straw	56
				2060	Medium Orange	51
				2061	Orange	44
				2070	Flame Red	27
				2071	Primary Red	25