



Rev.	ECO	By	Date	App.	Description
P	7222L	CF	4/22/24	AS	RELEASED FOR MARKETING

FITTING	REAR VIEW	SIDE VIEW
CT1		
CT2		
CT3		
CT4		

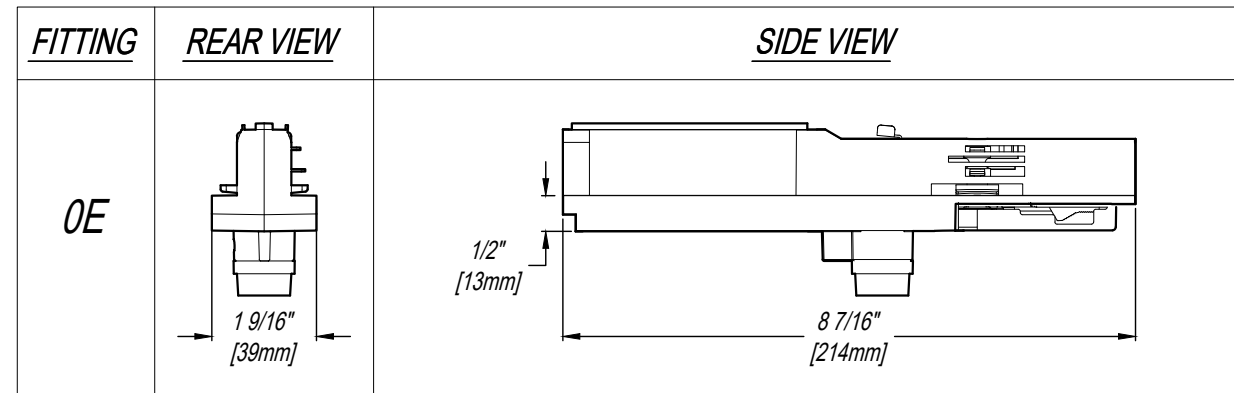
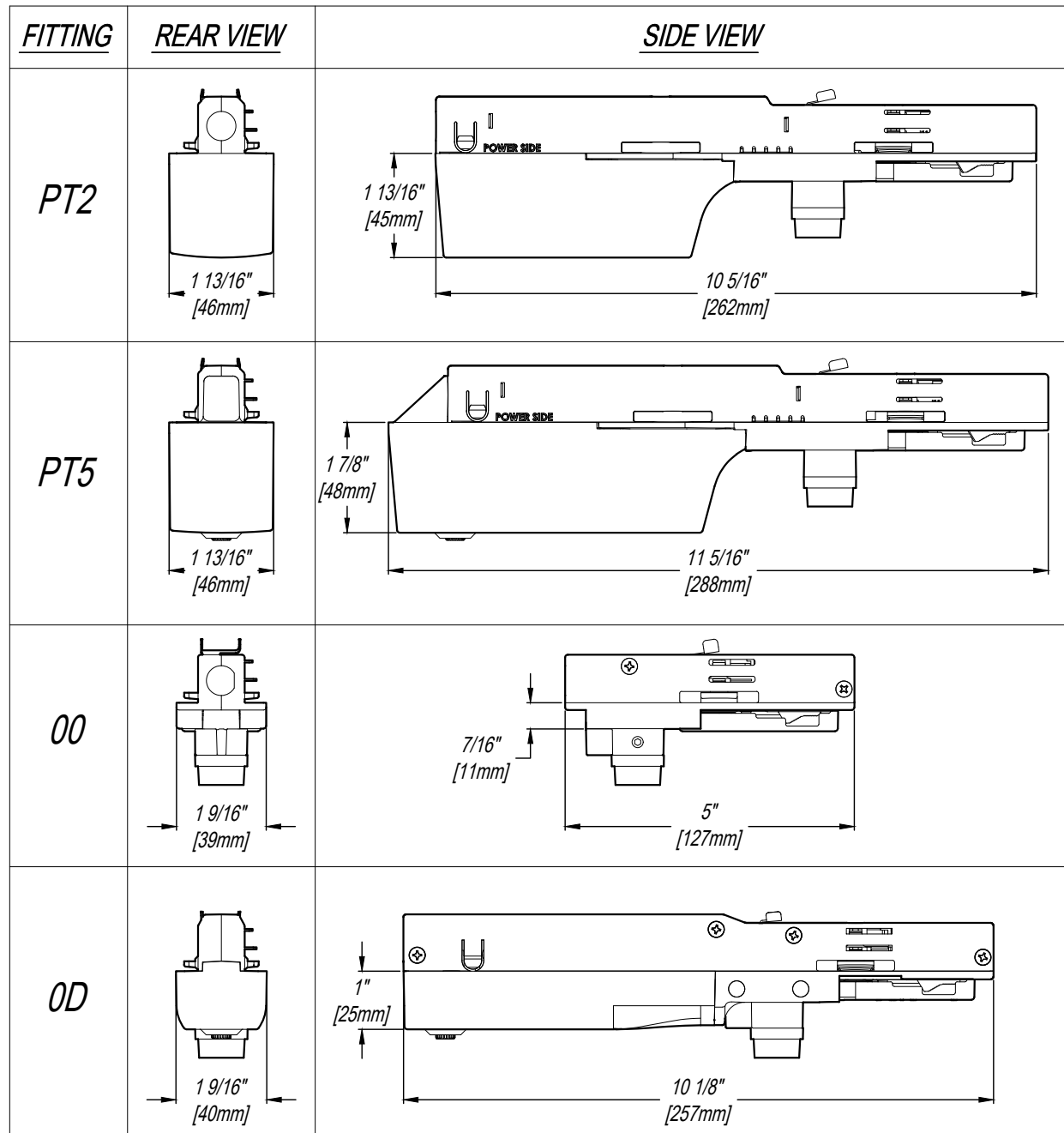
FITTING	REAR VIEW	SIDE VIEW
CT5		

FIXTURE	0-10V (0.1%) [10]	0-10V (10%) [10] (DIM TO WARM ONLY)	DMX [DX] (<1%)	LUTRON ECOSYSTEM [L3]
BPM	CT1		CT3	CT5
LP1	CT1		CT3	CT5
LP2	CT1		CT3	CT1
LP4	CT1		CT1	
LP230	CT2		CT4	
LP260	CT2		CT4	
LPW8	CT1		CT3	
LX2020	CT2		CT4	
LX2030	CT2	CT2	CT4	CT5
LX2030-B09	CT2		CT3	
LX2031	CT2		CT4	CT5
LX2031-B09	CT2		CT3	
LX2038	CT2	CT2	CT4	CT5
LX2038-B09	CT2		CT3	
LX2044	CT1	CT1	CT3	CT5
LX2044-B18	CT2		CT3	
LX2044-ZE3	CT1		CT3	CT5
LX2047	CT1		CT3	CT5
LX2047-B18	CT2		CT3	
LX2048	CT1	CT1	CT3	CT5
LX2048-B18	CT2		CT3	
LX2060	CT1	CT1	CT3	CT1*
LX2060-B18	CT2		CT3	
LX2084	CT1	CT1	CT3	CT1
LX2084-B18	CT2		CT3	
LX2087	CT1		CT3	CT1
LX2087-B18	CT2		CT3	
LX2088	CT1	CT1	CT3	CT1
LX2088-B18	CT2		CT3	
LYZ				
LYZ-IP				
LZ ZOOM	CT2		CT4	CT5
PS-ZM				
PS-ZM-IP				
UV8				
UV90				
UV94				
UV1560				
UVLIN				
UVLIN-IP				
UVZ				
UVZ-IP				

\*Power Limited

CONFIDENTIAL-PROPRIETARY INFORMATION. THE INFORMATION HEREIN IS PROTECTED UNDER COPYRIGHT AND IS OF A PROPRIETARY NATURE AND IS SUBMITTED IN CONFIDENCE FOR USE BY OUR CLIENTS ONLY. UNAUTHORIZED REPRODUCTION, PUBLICATION, DISTRIBUTION OR DISSEMINATION IN WHOLE OR IN PART, IS EXPRESSLY PROHIBITED. THE INFORMATION CONTAINED HEREIN IS AND REMAINS THE PROPERTY OF LIGHTING SERVICES INC AND RECEIPT OR POSSESSION OF THIS INFORMATION CONFERS NO RIGHT IN OR LICENSE TO USE OR TO DISCLOSE TO OTHERS THE SUBJECT MATTER CONTAINED HEREIN FOR ANY BUT AUTHORIZED PURPOSES. COPYRIGHT LIGHTING SERVICES INC ALL RIGHTS RESERVED.

Title	Type	Description
		LSI FITTING LAYOUT
Drawn by	Date	Checked by
VA	10/24/17	JC
Scale	Sheet	Drawing No.
NONE	1 OF 4	SK-00137
Rev		
P		

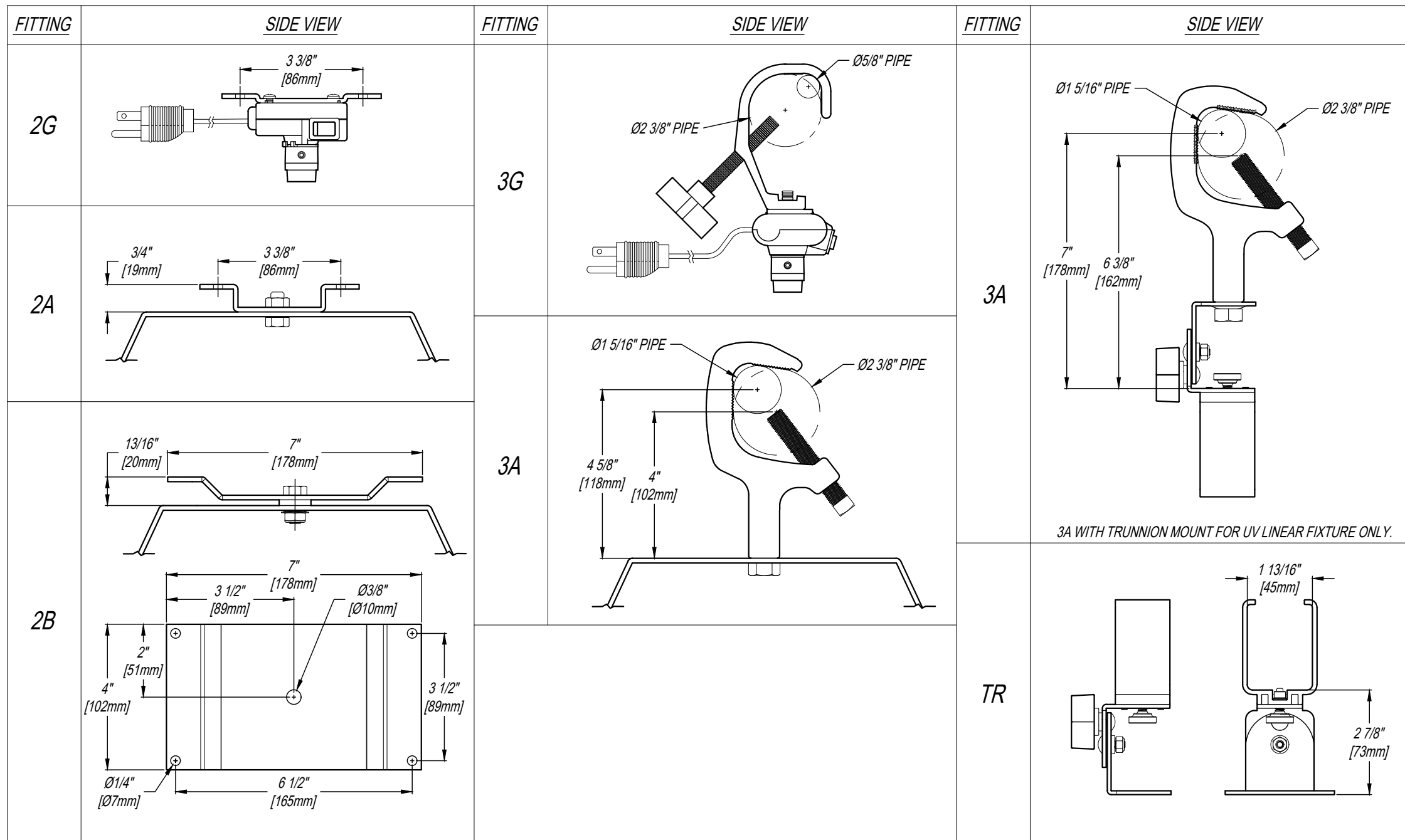


FIXTURE	TE PHASE DIMMING [TE]	LE PHASE DIMMING [LE]	INTEGRAL DIMMING (0.1% [ED])
BPM	00	00	0D
LP1	00	00	0D
LP2	00	00	0D
LP4	00	00	0D
LP230	PT2		PT5
LP260	0E		PT5
LPW8	00		0D
LX2020	0E		PT5
LX2030	0E		PT5
LX2030-B09			PT5
LX2031	0E		PT5
LX2031-B09			PT5
LX2038	0E		PT5
LX2038-B09			PT5
LX2044	00		0D
LX2044-B18			PT5
LX2044-ZE3	00		0D
LX2047	00		0D
LX2047-B18			PT5
LX2048	00		0D
LX2048-B18			PT5
LX2060	00		0D
LX2060-B18			PT5
LX2084	00		0D
LX2084-B18			PT5
LX2087	00		0D
LX2087-B18			PT5
LX2088	00		0D
LX2088-B18			PT5
LYZ			
LYZ-IP			
LZ ZOOM	PT2	PT2	PT5
PS-ZM			
PS-ZM-IP			
UV8			
UV90			
UV94			
UV1560			
UVLIN			
UVLIN-IP			
UVZ			
UVZ-IP			

CONFIDENTIAL-PROPRIETARY INFORMATION. THE INFORMATION HEREIN IS PROTECTED UNDER COPYRIGHT AND IS OF A PROPRIETARY NATURE AND IS SUBMITTED IN CONFIDENCE FOR USE BY OUR CLIENTS ONLY. UNAUTHORIZED REPRODUCTION, PUBLICATION, DISTRIBUTION OR DISSEMINATION IN WHOLE OR IN PART, IS EXPRESSLY PROHIBITED. THE INFORMATION CONTAINED HEREIN IS AND REMAINS THE PROPERTY OF LIGHTING SERVICES INC AND RECEIPT OR POSSESSION OF THIS INFORMATION CONFERS NO RIGHT IN OR LICENSE TO USE OR TO DISCLOSE TO OTHERS THE SUBJECT MATTER CONTAINED HEREIN FOR ANY BUT AUTHORIZED PURPOSES. COPYRIGHT LIGHTING SERVICES INC ALL RIGHTS RESERVED.

Lighting Services Inc 2 Holt Drive Stony Point, NY 10980-1996 Tel: 845-942-2800 www.LightingServicesInc.com

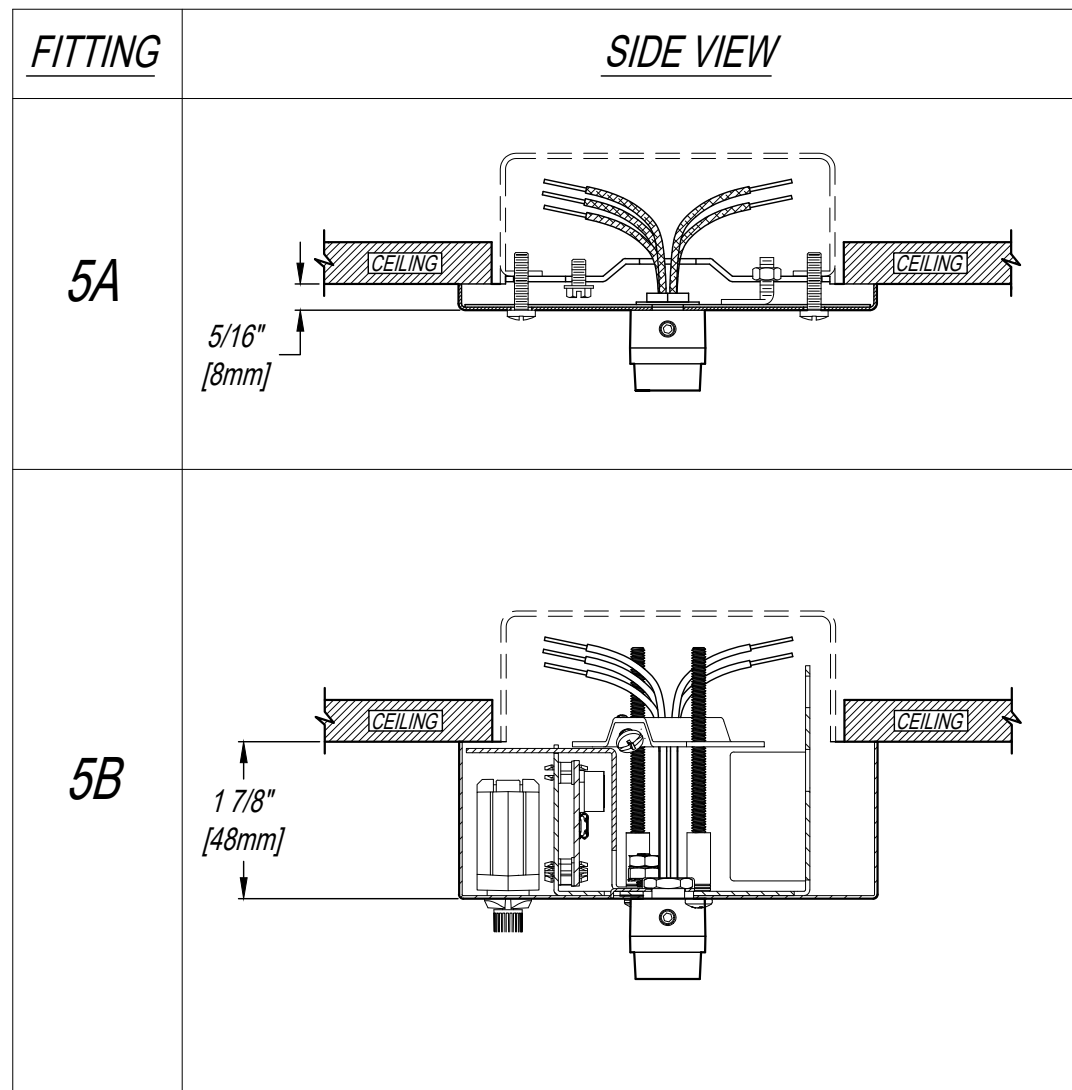
Title	Type	Description
		LSI FITTING LAYOUT
Drawn by	Date	Checked by
VA	10/24/17	JC
Scale	Sheet	Drawing No.
NONE	2 OF 4	SK-00137
Rev		
P		



FIXTURE	TE PHASE DIMMING [TE]	LE PHASE DIMMING [LE]	DMX [DX] (<1%)
BPM	2/3G	2/3G	
LP1	2/3G	2/3G	2/3G
LP2	2/3G		2/3G
LP4	2/3G	2/3G	2/3G
LP230			
LP260			
LPW8	2/3G		
LX2020			
LX2030			
LX2030-B09			
LX2031			
LX2031-B09			
LX2038			
LX2038-B09			
LX2044	2/3G		
LX2044-B18			
LX2044-ZE3	2/3G		
LX2047	2/3G		
LX2047-B18			
LX2048			
LX2048-B18			
LX2060	2/3G		
LX2060-B18			
LX2084	2/3G		
LX2084-B18			
LX2087	2/3G		
LX2087-B18			
LX2088			
LX2088-B18			
LYZ	2/3A, 2B		2/3A, 2B
LYZ-IP			2/3A, 2B
LZ ZOOM			
PS-ZM			2/3A, 2B
PS-ZM-IP			3A
UV8	2/3A, 2B		2/3A, 2B
UV90	2/3A, 2B		2/3A, 2B
UV94	2/3A, 2B		2/3A, 2B
UV1560	2/3A, 2B		2/3A, 2B
UVLIN	3A, TR		3A, TR
UVLIP-IP	3A, TR		3A, TR
UVZ	2/3A, 2B		2/3A, 2B
UVZ-IP			2/3A, 2B

CONFIDENTIAL-PROPRIETARY INFORMATION. THE INFORMATION HEREIN IS PROTECTED UNDER COPYRIGHT AND IS OF A PROPRIETARY NATURE AND IS SUBMITTED IN CONFIDENCE FOR USE BY OUR CLIENTS ONLY. UNAUTHORIZED REPRODUCTION, PUBLICATION, DISTRIBUTION OR DISSEMINATION IN WHOLE OR IN PART, IS EXPRESSLY PROHIBITED. THE INFORMATION CONTAINED HEREIN IS AND REMAINS THE PROPERTY OF LIGHTING SERVICES INC AND RECEIPT OR POSSESSION OF THIS INFORMATION CONFERS NO RIGHT IN OR LICENSE TO USE OR TO DISCLOSE TO OTHERS THE SUBJECT MATTER CONTAINED HEREIN FOR ANY BUT AUTHORIZED PURPOSES. COPYRIGHT LIGHTING SERVICES INC ALL RIGHTS RESERVED.

Title	Type	Description
		LSI FITTING LAYOUT
Drawn by VA	Date 10/24/17	Checked by JC
	Date 11/01/17	Scale NONE
	Sheet 3 OF 4	Drawing No. SK-00137
		Rev P



FIXTURE	TE PHASE DIMMING [TE]	LE PHASE DIMMING [LE]	INTEGRAL DIMMING (0.1%) [ED]	0-10V (0.1%) [10]	0-10V (10%) [10] (DIM TO WARM ONLY)	DMX [DX] (<1%)	LUTRON ECOSYSTEM [L3]
BPM	5A	5A	5B	5B			
LP1	5A	5A	5B	5B		5A	
LP2	5A		5A	5A		5A	5A
LP4	5A	5A	5A	5A		5A	
LP230	5B		5B	5B			
LP260	5A		5B	5B			
LPW8	5A		5B	5B			
LX2020	5A		5B	5B			
LX2030	5A		5B	5B	5A		
LX2030-B09							
LX2031	5A		5B	5B			
LX2031-B09							
LX2038	5A		5B	5B			
LX2038-B09							
LX2044	5A		5B	5B	5A		
LX2044-B18							
LX2044-ZE3	5A		5B	5B			
LX2047	5A		5B	5B			
LX2047-B18							
LX2048	5A		5B	5B	5A		
LX2048-B18							
LX2060	5A		5B	5B	5A		5A
LX2060-B18							
LX2084	5A		5A	5A	5A		5A
LX2084-B18							
LX2087	5A		5A	5A			5A
LX2087-B18							
LX2088	5A		5A	5A	5A		5A
LX2088-B18							
LYZ							
LYZ-IP							
LZ ZOOM	5B	5B	5B	5B			
PS-ZM							
PS-ZM-IP							
UV8							
UV90							
UV94							
UV1560							
UVLIN							
UVLIN-IP							
UVZ							
UVZ-IP							

CONFIDENTIAL-PROPRIETARY INFORMATION. THE INFORMATION HEREIN IS PROTECTED UNDER COPYRIGHT AND IS OF A PROPRIETARY NATURE AND IS SUBMITTED IN CONFIDENCE FOR USE BY OUR CLIENTS ONLY. UNAUTHORIZED REPRODUCTION, PUBLICATION, DISTRIBUTION OR DISSEMINATION IN WHOLE OR IN PART, IS EXPRESSLY PROHIBITED. THE INFORMATION CONTAINED HEREIN IS AND REMAINS THE PROPERTY OF LIGHTING SERVICES INC AND RECEIPT OR POSSESSION OF THIS INFORMATION CONFERS NO RIGHT IN OR LICENSE TO USE OR TO DISCLOSE TO OTHERS THE SUBJECT MATTER CONTAINED HEREIN FOR ANY BUT AUTHORIZED PURPOSES. COPYRIGHT LIGHTING SERVICES INC ALL RIGHTS RESERVED.

Title		Type	Description				
			<i>LSI FITTING LAYOUT</i>				
Drawn by	Date	Checked by	Date	Scale	Sheet	Drawing No.	Rev
VA	10/24/17	JC	11/01/17	NONE	4 OF 4	SK-00137	P