

LZ • 120/277V • LED • COB • CONTROLTrack COMPATIBLE



These compact spotlights offer zoom functionality to easily adjust beam spreads from 5° to 50°.

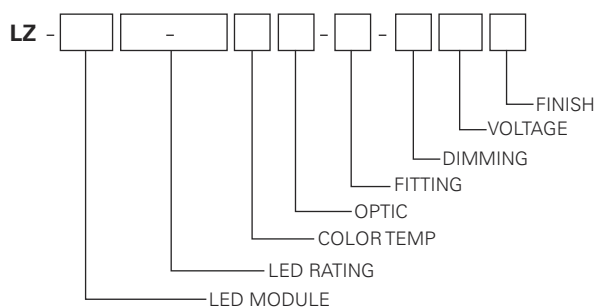
- Adjustable 5° Narrow Spot-50° Flood optic produces up to 25,000 CBCP with 1856 lumens at 19 watts
- System efficiency up to 44 lumens/watt
- Exceeds ANSI specifications by maintaining extremely tight color consistency over the life of the fixture
- Tested to LM79 and LM80 Protocols
- 50,000 hour life to 70% lumen output, L₇₀ at 95°F max ambient
- Hidden integral electronic driver, compatible with various controls
- Color Rendering Index (CRI) 80, 90
- Color consistency, 2 MacAdam ellipses
- 0-10V dimming allows for 2 zones of control on one circuit CONTROLTrack down to 0.1%, with convenient zone selection switch
- DMX compatible with dimming below 1%
- Lutron EcoSystem compatible with dimming to 0.1% (Lutron Hi-Lume Premier 0.1% EcoSystem LED Driver)
- Lutron EcoSystem features soft-on, fade to black, smooth flicker-free dimming from 0-100% (Meets IEEE 1789 for flicker)
- Removable accessory cartridge for any combination of (2) size-ZM LSI accessories
- No UV or IR emissions; no mercury or lead
- On/off safety switch (on most mounting types)
- Sturdy die-cast aluminum housing
- Unique latch mechanism for focus lock
- Horizontal and vertical aiming is both self-locking and tool-locking via Allen key
- Finishes: LSI Black, White, and Silver
- Fixture weight: 4 lbs

FIXTURE PART NUMBERS

Please review the **ORDERING INFORMATION** section on the next page as well as the **MOUNTING OPTIONS** on page 3 to create a part number for each fixture that specifies the following:

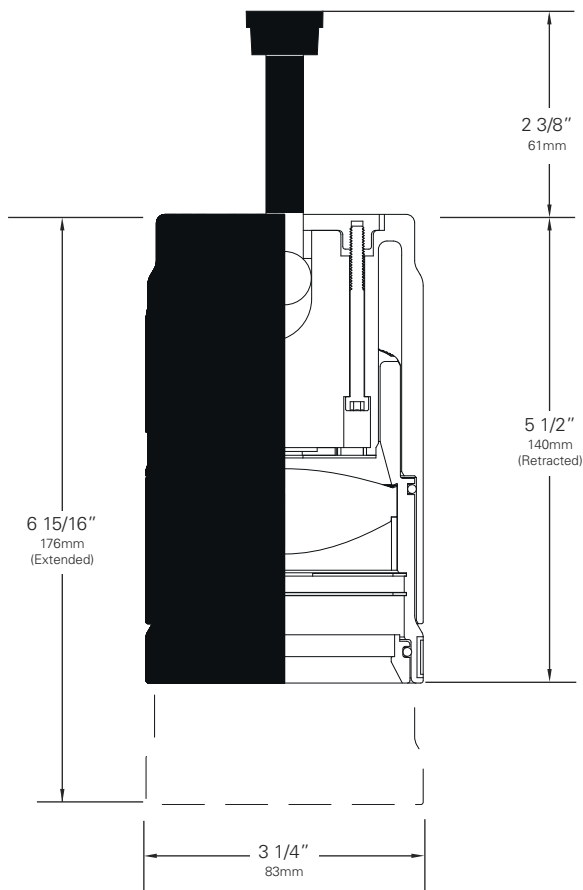
- LED Module
- LED Rating
- Color Temperature
- Optic (Integral)
- Fitting/Controls (Dimming)
- Voltage
- Finish

PART NUMBER



Example Part Number: **LZ-C0618-8030ZM-CT4-DX120W** is a fixture with a single LED module, 1856 Lumen/80 CRI/19 Watt LED rating, 3000°K Color Temperature, 6mm Adjustable Optic, CT4 CONTROLTrack fitting with DMX Address knobs and DMX compatible control gear, 120V and a White finish.

LZ • 120/277V • LED • COB • CONTROLTrack COMPATIBLE



DRIVER TYPE

0-10V Driver

Input Power (A)- 120V	0.16
Input Power (A)- 277V	0.07
Wattage	19
Power Factor- 115V	0.92

DMX Driver

Input Power (A)- 120V	0.16
Input Power (A)- 277V	0.07
Wattage	20
Power Factor- 115V	0.92

Lutron EcoSystem Driver

Input Power (A)- 120V	0.16
Input Power (A)- 277V	0.07
Wattage	19
Power Factor- 115V	0.92

LED ORDERING INFORMATION

Base Fixture Model

- LZ-C06 (6mm COB)

LED Rating (Lumens/CRI/Wattage)

- 15-90 = 1500/90/19
 18-80 = 1856/80/19

Color Temperature

- 27 = 2700K
 30 = 3000K
 35 = 3500K
 40 = 4000K

Optic

- ZM = 5°- 50° Adjustable Optic

Fitting/Controls (Dimming)

- CT2-10 = CONTROLTrack Fitting & 0-10V (0.1%)
 CT4-DX = CONTROLTrack Fitting & DMX (<1%)
 CT5-L3 = CONTROLTrack Fitting & Lutron EcoSystem (0.1% soft on/off)

Voltage

- 120 = 120V 230 = 220-240V 277 = 277V

Finish

- B = Black W = White S = Silver

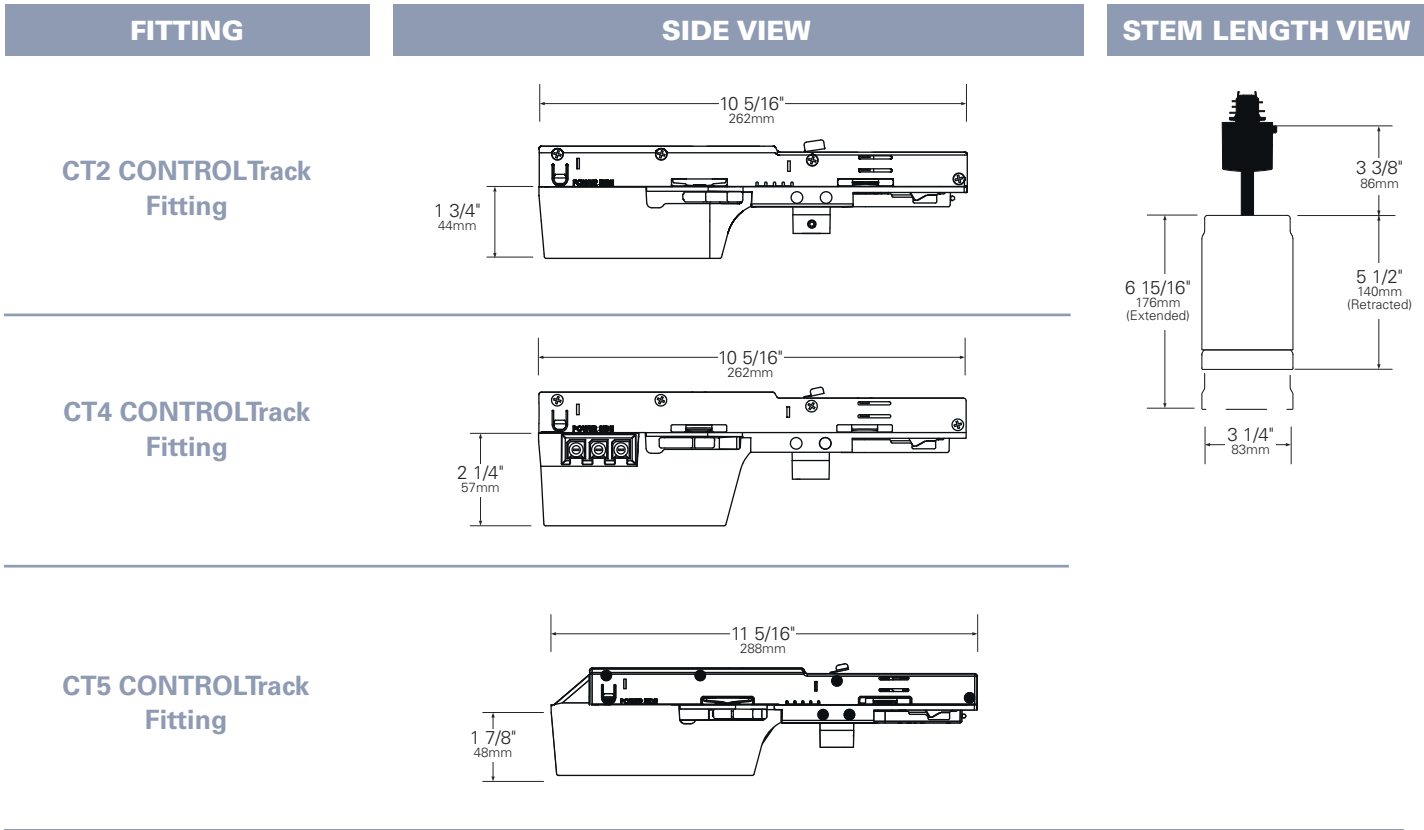
Example Part Number:

LZ-C06 **19-80** **30** **ZM-CT4-DX** **120** **W**
FIXTURE MODEL LED RATING COLOR TEMP OPTIC FITTING/DIMMING VOLTAGE FINISH

Other Options (Consult Factory):

- Custom Stems, specify length (4" - 48")
- Custom Finish, RAL palette

LZ • MOUNTING OPTIONS



LZ • PERFORMANCE

The performance characteristics of the LZ ZOOM family of products can be customized based on the LED module and the optic selected.

Each available LED module is defined by four characteristics – the color rendering index (CRI), the correlated color temperature (CCT), the power that it uses (watts), its “available lumens” and beam spread. Note that available lumens is a theoretical value that represents the light output of the module on its own – no fixture or optic attached.

In the LSI part number, the LED module is specified with a letter and a number that immediately follow the product series number. For example, in the part number LZ-C0618-8030ZM-CT4-DX120W, the “C0618-8030ZM” represents an LED module with an output of 1856 lumens, a CRI of 80, a power usage of 19 watts, color temperature of 3000K and a 5°- 50° adjustable degree beam.

Additional parameters, such as Center Beam Candle Power (CBCP), Delivered Lumens, and Efficiency (Lumens per Watt) are all shown in a table that is organized by LED module and optic combination.

CBCP = Center Beam Candle Power				
LED Module	Optic (Reflector)			
Lumens/CRI/Wattage	5°	20°	35°	50°
1500/90/19	20,300	5,400	2,200	1,200
1856/80/19	25,000	6,600	2,700	1,400

Delivered Lumens				
LED Module	Optic (Reflector)			
Lumens/CRI/Wattage	5°	20°	35°	50°
1500/90/19	400	500	600	700
1856/80/19	470	610	730	830

Efficiency = Lumens Per Watt				
LED Module	Optic (Reflector)			
Lumens/CRI/Wattage	5°	20°	35°	50°
1500/90/19	21	26	32	37
1856/80/19	25	32	38	44

Inrush current is instantaneous current drawn by the LED only when fixture is initially powered on or instantaneously changed from full dim to full bright. For more details see Dimming Application Sheet, IS-0119.

LED Module Lumens/CRI/Wattage SKU Code	1500/90/19	1856/80/19
Nominal Fixture Power (+/- 20%), Watts	19	19
Maximum Inrush Current Amps	10	10
Minimum Power Factor	0.92	0.92

LZ • PHOTOMETRIC DATA

PHOTOMETRIC DATA

LZ ZOOM Series

18-80 LED Rating

Beam Spread (minimum) **5°**
 Center Beam Candlepower **25000**
 CRI **80**

LZ ZOOM Series

18-80 LED Rating

Beam Spread (minimum) **20°**
 Center Beam Candlepower **6600**
 CRI **80**

LZ ZOOM Series

18-80 LED Rating

Beam Spread (minimum) **35°**
 Center Beam Candlepower **2700**
 CRI **80**

LZ ZOOM Series

18-80 LED Rating

Beam Spread (minimum) **50°**
 Center Beam Candlepower **1400**
 CRI **80**

LZ ZOOM Series

15-90 LED Rating

Beam Spread (minimum) **5°**
 Center Beam Candlepower **20300**
 CRI **90**

LZ ZOOM Series

15-90 LED Rating

Beam Spread (minimum) **20°**
 Center Beam Candlepower **5400**
 CRI **90**

LZ ZOOM Series

15-90 LED Rating

Beam Spread (minimum) **35°**
 Center Beam Candlepower **2200**
 CRI **90**

LZ ZOOM Series

15-90 LED Rating

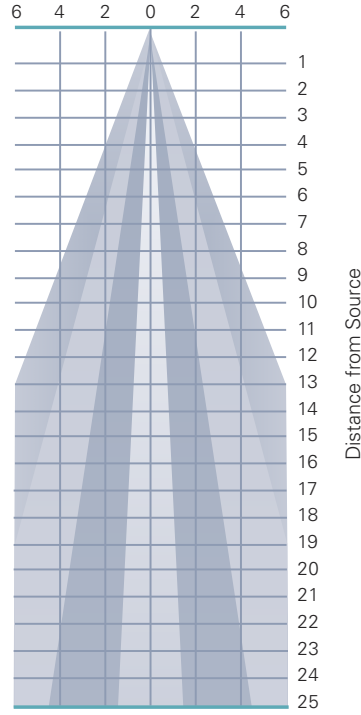
Beam Spread (minimum) **50°**
 Center Beam Candlepower **1200**
 CRI **90**

LED Rating: 18-80

	50°	35°	20°	5°
1400	2700	6600	25000	
350	675	1650	6250	
156	300	733	2778	
88	169	413	1563	
56	108	264	1000	
39	75	183	694	
29	55	135	510	
22	42	103	391	
17	33	81	309	
14	27	66	250	
12	22	55	207	
10	19	46	174	
8	16	39	148	
7	14	34	128	
6	12	29	111	
5	11	26	98	
5	9	23	87	
4	8	20	77	
4	7	18	69	
4	7	17	63	
3	6	15	57	
3	6	14	52	
3	5	12	47	
2	5	11	43	
2	4	11	40	

All Max Footcandles at 0° Beam Axis

All Distances in Feet



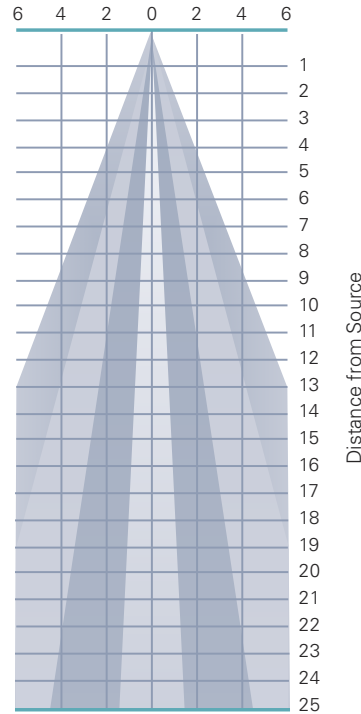
Photometric Data based on LED Rating: 18-80 (1856 Lumens/80CRI/19Watts)

LED Rating: 15-90

	50°	35°	20°	5°
1200	2200	5400	20300	
300	550	1350	5075	
133	244	600	2256	
75	138	338	1269	
48	88	216	812	
33	61	150	564	
24	45	110	414	
19	34	84	317	
15	27	67	251	
12	22	54	203	
10	18	45	168	
8	15	38	141	
7	13	32	120	
6	11	28	104	
5	10	24	90	
5	9	21	79	
4	8	19	70	
4	7	17	63	
3	6	15	56	
3	6	14	51	
3	5	12	46	
2	5	11	42	
2	4	10	38	
2	4	9	35	
2	4	9	32	

All Max Footcandles at 0° Beam Axis

All Distances in Feet



Photometric Data based on LED Rating: 15-90 (1500 Lumens/90CRI/19Watts)

LZ • ACCESSORIES

**LOUVER HEX ZMB**

1/8" thick Hexcell black metal louver used for thin profile. Black finish.

**ZM-EXT-HOLDER**

External accessory holder required for hood and barndoor. Specify finish as follows:

ZM-EXT-HOLDERB (Black)
ZM-EXT-HOLDERW (White)
ZM-EXT-HOLDERS (Silver)

**HOOD AZM**

Externally mounted cylindrical metal hood controls spill light and glare. Requires external accessory holder: ZM-EXT-HOLDER. Specify finish as follows:

HOOD AZMB (Black)
HOOD AZMW (White)
HOOD AZMS (Silver)

**BARNDOOR AZM**

4-way individually adjustable blades for control of light. Requires external accessory holder: ZM-EXT-HOLDER. Specify finish as follows:

BARNDOOR AZMB (Black)
BARNDOOR AZMW (White)
BARNDOOR AZMS (Silver)

LZ • GELS

As the foremost innovator in accent lighting, LSI offers a complete range of pre-cut Gels to modify the spread and color of light.



SPREAD GELS

Size: ZM (71 mm diameter)	Spread Gel
GEL-L1-ZM	1° Spread Gel
GEL-L5-ZM	5° Spread Gel
GEL-L10-ZM	10° Spread Gel
GEL-L20-ZM	20° Spread Gel
GEL-L30-ZM	30° Spread Gel
GEL-L40-ZM	40° Spread Gel
GEL-L60-ZM	60° Spread Gel
GEL-L80-ZM	80° Spread Gel
GEL-L30X5-ZM	30° by 5° Spread Gel
GEL-L40X1-ZM	40° by 1° Spread Gel
GEL-L60X1-ZM	60° by 1° Spread Gel
GEL-L60X10-ZM	60° by 10° Spread Gel
GEL-L75X45-ZM	75° by 45° Spread Gel
GEL-L80X50-ZM	80° by 50° Spread Gel
GEL-R101-ZM	Beam Softener (Light Frost)

COLOR GELS

Size: ZM (71 mm diameter)	Gel Color	% of Light Transmission	Size: ZM (71 mm diameter)	Gel Color	% of Light Transmission
GEL-R2-ZM	Bastard Amber	78	GEL-R312-ZM	Canary	85
GEL-R7-ZM	Pale Yellow	96	GEL-R331-ZM	Shell Pink	68
GEL-R12-ZM	Straw	88	GEL-R383-ZM	Sapphire Blue	4
GEL-R13-ZM	Straw Tint	78	GEL-R397-ZM	Pale Grey	70
GEL-R14-ZM	Medium Straw	68	GEL-R2001-ZM	Storaro Red	12
GEL-R21-ZM	Golden Amber	43	GEL-R2004-ZM	Storaro Green	15
GEL-R25-ZM	Orange Red	14	GEL-R2009-ZM	Storaro Violet	3
GEL-R26-ZM	Light Red	12	GEL-R3202-ZM	Full Blue CTB	36
GEL-R27-ZM	Medium Red	4	GEL-R3204-ZM	Half Blue CTB	52
GEL-R57-ZM	Lavender	24	GEL-R3206-ZM	Third Blue CTB	64
GEL-R62-ZM	Booster Blue	54	GEL-R3216-ZM	Eighth Blue CTB (Boosts 3200K to 3300K)	81
GEL-R71-ZM	Sea Blue	30	GEL-R3318-ZM	Tough 1/8 Minusgreen	89
GEL-R72-ZM	Azure Blue	44	GEL-R3410-ZM	Roscoun (1/8 CTO) (Reduces 5500K to 4900K)	92
GEL-R91-ZM	Primary Green	7	GEL-R3441-ZM	Full Straw (CTS)	50
GEL-R97-ZM	Light Grey	50	GEL-R3443-ZM	Quarter Straw (1/4 CTS)	81
GEL-R98-ZM	Medium Grey	25	GEL-R4330-ZM	CalColor 30 Cyan	63
GEL-R101-ZM	Light Frost	N/A	GEL-R4415-ZM	CalColor 15 Green	67
GEL-R104-ZM	Tough Silk	N/A	GEL-R4490-ZM	CalColor 90 Green	25
GEL-R119-ZM	Lt. Hamburg Frost	N/A	GEL-R4860-ZM	CalColor 60 Pink	46
GEL-R121-ZM	Blue Diffusion	N/A	GEL-R4890-ZM	CalColor 90 Pink	38
GEL-R305-ZM	Rose Gold	75	GEL-R4930-ZM	CalColor 30 Lavender	47

LSI ROSCO GEL CCT CONVERSION CHART FROM 3000K

Type	ROSCO #	ROSCO Description	Resulting CCT
Amber Filters Lower CCT	3420	Roscoun Double CTO	1531
	3407	Roscoun CTO	1999
	3401	Roscoun 85	2154
	3411	Roscoun 3/4 CTO	2154
	3408	Roscoun 1/2 CTO	2414
	3409	Roscoun 1/4 CTO	2664
	3410	Roscoun 1/8 CTO	2830
3114	UV Filter	2930	
Blue Filters Raise CCT	3220	Double Blue CTB	N/A
	3202	Full Blue CTB	4942
	3203	Three-Quarter Blue CTB	4286
	3204	Half Blue CTB	3769
	3206	Third Blue CTB	3517
	3208	Quarter Blue CTB	3297
3216	Eighth Blue CTB	3112	