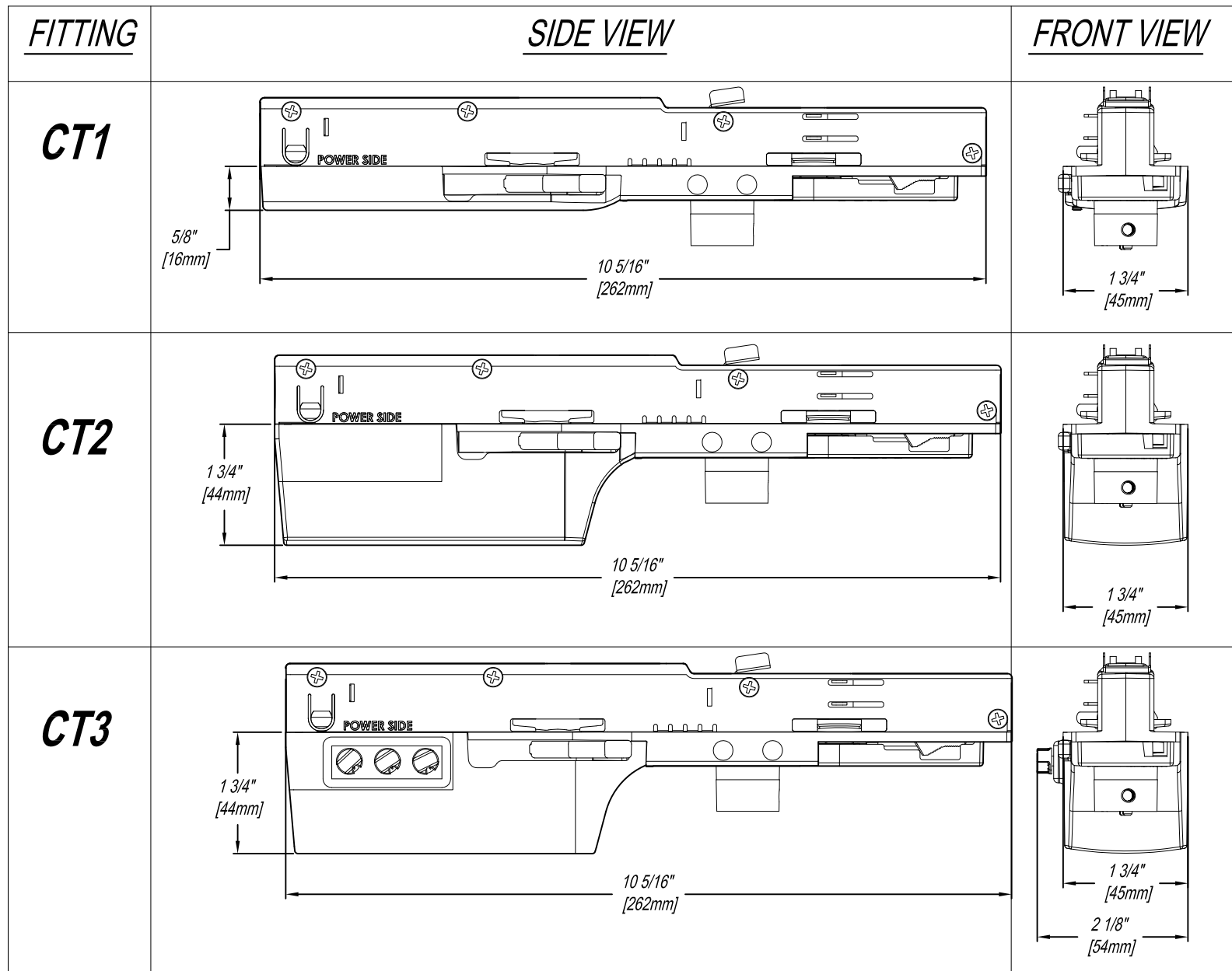




Rev.	ECO	By	Date	App.	Description
C	6690	VA	3/21/19	JC	RELEASED FOR MARKETING

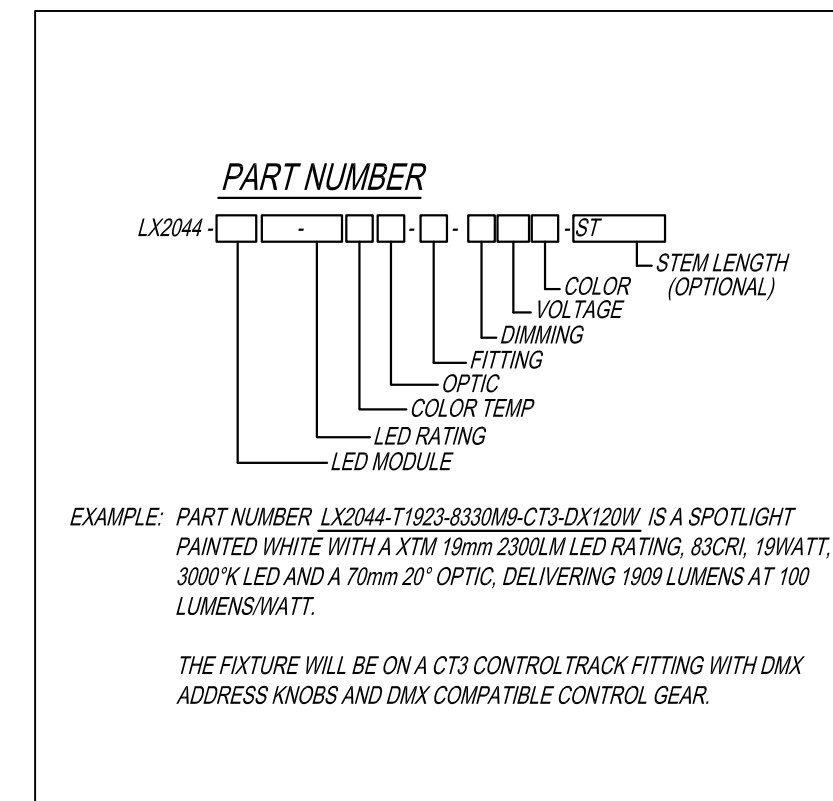


T19 & TS9 = XICATO				
Fixture	0-10	DMX	Lutron EcoSystem	
LX2030	CT2			
LX2031	CT2			
LX2038	CT2			
LX2024	CT1	CT3		
LX2026	CT1	CT3	CT1	
LX2044	CT1	CT3		
LX2047	CT1	CT3		
LX2048	CT1	CT3		
LX2060	CT1	CT3	CT1	
LX2084	CT1	CT3	CT1	
LX2087	CT1	CT3	CT1	
LX2088	CT1	CT3	CT1	

S15 & S09 = DIM TO WARM				
Fixture	0-10	DMX	Lutron EcoSystem	
LX2030	CT2			
LX2031	CT2			
LX2038	CT2			
LX2024	CT1	CT3		
LX2026	CT1	CT3	CT1	
LX2044	CT1	CT3		
LX2047	CT1	CT3		
LX2048	CT1	CT3		
LX2060	CT1	CT3	CT1	
LX2084	CT1	CT3	CT1	
LX2087	CT1	CT3	CT1	
LX2088	CT1	CT3	CT1	

L19 & L25 = LUMENETIX					
Fixture	0-10	DMX	Lutron EcoSystem	BlueTooth (IOS)	
LX2030	CT2	CT2			CT2
LX2031	CT2	CT2			CT2
LX2038	CT2	CT2			CT2
LX2024	CT1	CT1	CT1		00
LX2026	CT1	CT1	CT1		00
LX2044	CT1	CT1	CT1		00
LX2047	CT1	CT1	CT1		00
LX2048	CT1	CT1	CT1		00
LX2060	CT1	CT1	CT1		00
LX2084	CT1	CT1	CT1		00
LX2087	CT1	CT1	CT1		00
LX2088	CT1	CT1	CT1		00

BP, LP, AND UV					
Fixture	0-10	DMX	Lutron EcoSystem	DALI	
LPW8	CT1	CT3			
BPL	CT1	CT3			
BPM	CT1	CT3			
LX2020					
LP1	CT1	CT3			
LP2	CT1	CT3	CT1		CT1
LP4	CT1	CT1			
UV8	CT1	CT3			
UV90	CT1	CT3	CT1		CT1
UV1560	CT1	CT3	CT1		CT1



CONFIDENTIAL—PROPRIETARY INFORMATION. THE INFORMATION HEREIN IS PROTECTED UNDER COPYRIGHT AND IS OF A PROPRIETARY NATURE AND IS SUBMITTED IN CONFIDENCE FOR USE BY OUR CLIENTS ONLY. UNAUTHORIZED REPRODUCTION, PUBLICATION, DISTRIBUTION OR DISSEMINATION IN WHOLE OR IN PART, IS EXPRESSLY PROHIBITED. THE INFORMATION CONTAINED HEREIN IS AND REMAINS THE PROPERTY OF LIGHTING SERVICES INC AND RECEIPT OR POSSESSION OF THIS INFORMATION CONFERS NO RIGHT IN OR LICENSE TO USE OR TO DISCLOSE TO OTHERS THE SUBJECT MATTER CONTAINED HEREIN FOR ANY BUT AUTHORIZED PURPOSES. COPYRIGHT LIGHTING SERVICES INC ALL RIGHTS RESERVED.

Title		Type		Description	
				LSI CONTROL TRACK FITTING LAYOUT	
Drawn by	Date	Checked by	Date	Scale	Sheet
VA	10/24/17	JC	11/01/17	NONE	1 OF 1
Lighting Services Inc 2 Holt Drive Stony Point, NY 10980-1996 Tel: 845-942-2800 www.LightingServicesInc.com				Drawing No.	Rev
				SK-00137	C