

GEMINI HOUSING • SPECIFICATIONS

GENERAL Gemini Housing shall support Track of six foot intervals. In addition, the extra compartment shall be able to be used for a multitude of electrical or mechanical purposes. Gemini Housings shall have a twelve year warranty from date of shipment.

MECHANICAL Gemini Housing shall be constructed of .105 thick (3mm) extruded aluminum with overall height of 5.44 (138mm) and overall width of 2.03 (52mm). Gemini Housing shall accept both one and two circuit Track.

Gemini Housing shall have two separate compartments. One compartment shall accept Track and shall be supplied with all necessary hardware for mounting Track into Gemini Housing. Non-track compartment will accept all Unistrut type hardware suitable for use with P1000™ type channel in 7/8 inch (22mm) slot, as well as raceway covers for enclosing all wiring and LSI LED lighting.

Gemini Housings shall be available in nominal 4 foot (1.2m), 8 foot (2.4m), and 12 foot (3.7m) lengths, in Silver, Black, and White high temperature baked paint finish. Gemini Housings shall be field cuttable to any length with a single cut.

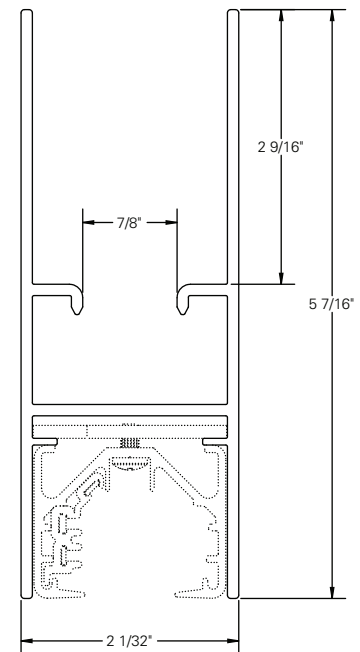
Gemini Housing System shall have L, T, and X Joiners as standard components and shall have the ability to be suspended from any surface with 3/8 inch threaded rod (by others), rigid stems or cables through .406 diameter (10mm) pre-punched holes.

ELECTRICAL Gemini Housings and components shall be safety agency certified, and comply with the National Electric Code standards for Lighting Track. Raceway Covers for Gemini Housing System shall be made from .040 inch (1mm) plastic available in Black, White, and Silver high temperature baked paint finish.

Gemini Housing shall be fed through 1/2 inch (22mm) U.S. trade size access hole in Gemini Splice Chamber which can be positioned anywhere along the non-track side of the Gemini Housing.

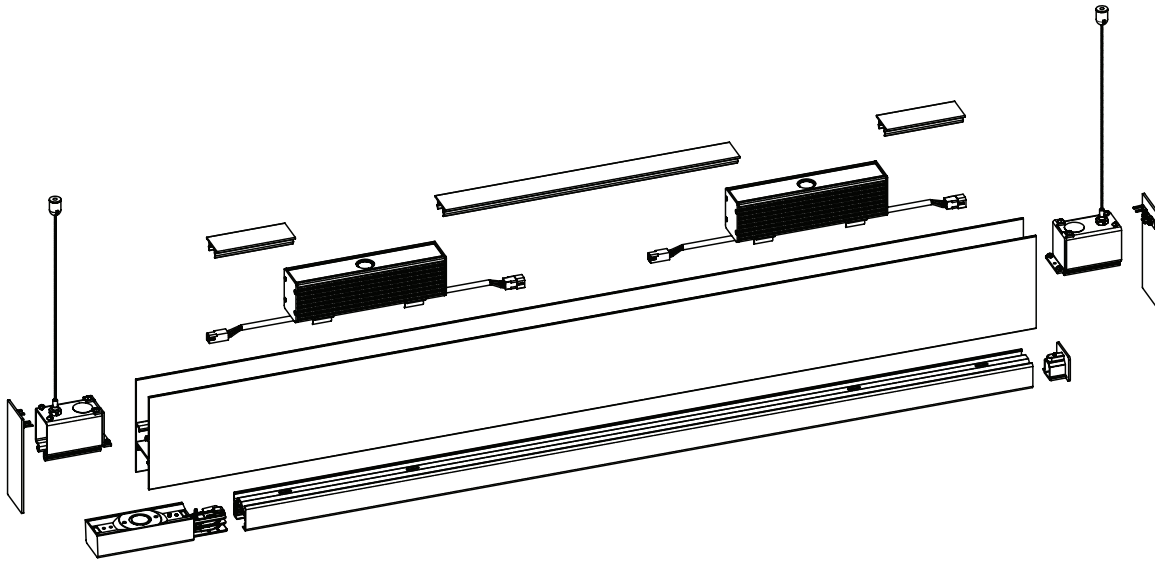
FIXTURE FITTING INTERFACE Lighting Track used in conjunction with Gemini Housings shall accept GE fiber reinforced fixture fittings which positively lock into track and cannot be energized by integral switch until safety interlock handle is in closed position. Safety interlock shall also prevent fixture fitting removal from track unless the switch is in the "off" position. Upon insertion of fixture fitting into track, grounding connection from fixture fitting to track shall be automatically completed before any electrical contact is made with busbars. When removing fixture fitting from track, the grounding connection shall automatically be disconnected only after the electrical contact with busbars are disconnected. The fixture fitting shall recess into track creating a minimal intrusion into space.

Gemini Housing

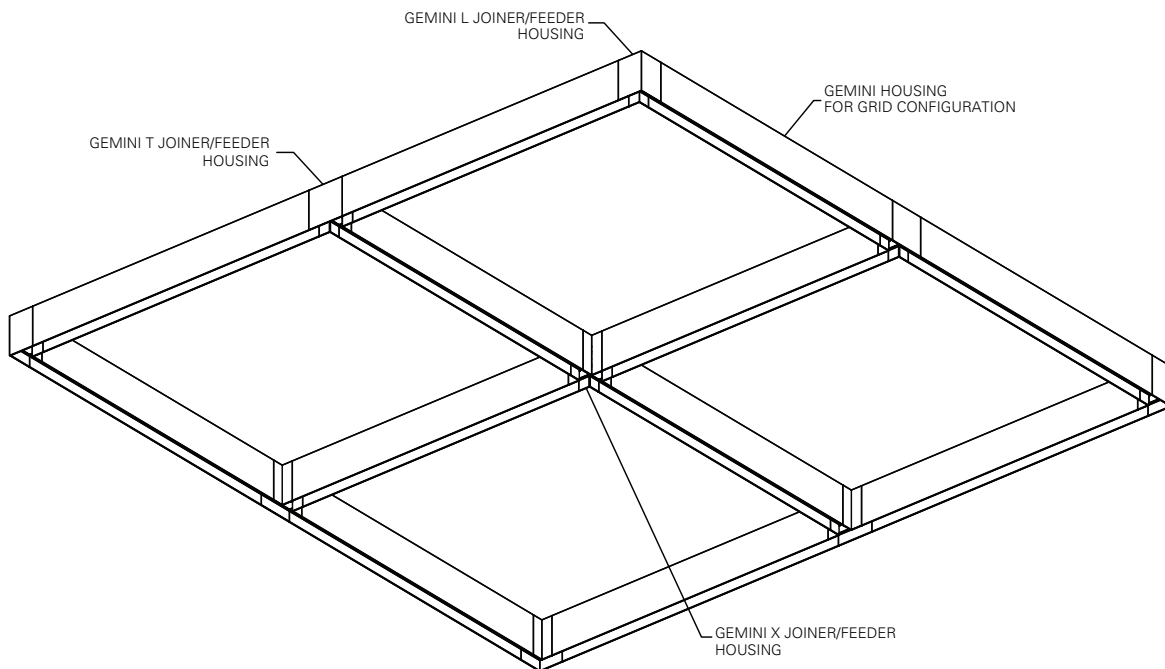


GEMINI HOUSING • CONFIGURATIONS

Gemini System



Grid Configuration

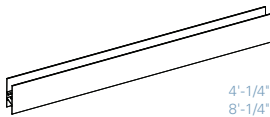


GEMINI HOUSING • COMPONENTS

Key Features / Applications

Safety agency certified • IBEW union made at LSI plant in USA • Combination two compartment suspended housing for standard LSI surface track and other mechanical or electrical requirements • Specification grade heavy duty .105 (2.6mm) thick extruded two compartment aluminum track • 4 foot (1.2m), 8 foot (2.4m) and 12 foot (3.7m) field cuttable lengths to match standard surface track lengths complete with mounting hardware for surface track • Black, White, and Silver finishes • Separate housing sections for all LSI Joiner/Feeders (except Flexible Joiner and Straight Mini-Joiner) • Non-track compartment will accept all Unistrut™ hardware for P1000™ type channel (7/8 inch (22mm) slot opening) • Gemini can be used as a support channel for other electrical and non-electrical items

Gemini Housing Section for Straight Runs

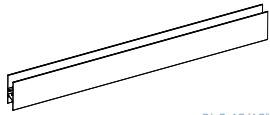


4'-1/4"
8'-1/4"
12'-1/4"

Gemini Housing Section is an open ended extrusion used to form straight track runs utilizing the appropriate Gemini Splice Kits for interconnection. Gemini Housing Section is supplied complete with all required hardware for installation of LSI Track. Housing is field cuttable.

Finish	Nominal Length		
	4 Ft	8 Ft	12 Ft
Silver	50170-GEM	50171-GEM	50172-GEM
Black	50270-GEM	50271-GEM	50272-GEM
White	50370-GEM	50371-GEM	50372-GEM

Gemini Housing Section for Grid Configurations

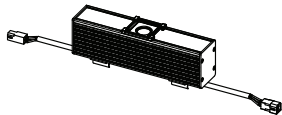


3'-6 13/16"
7'-6 13/16"
11'-6 13/16"

Gemini Housing Section is an open ended extrusion used to form grid configurations utilizing the appropriate joiners for interconnection. Gemini Housing Section is supplied complete with all required hardware for installation of LSI track. Housing is field cuttable.

Finish	Nominal Length		
	4 Ft	8 Ft	12 Ft
Silver	50174-GEM	50175-GEM	50176-GEM
Black	50274-GEM	50275-GEM	50276-GEM
White	50374-GEM	50375-GEM	50376-GEM

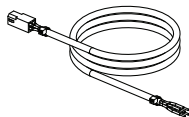
Gemini System LED Module



LED Module for use with Gemini Housing. LSI recommends no more than 50 Gemini LED modules per 20 amp circuit.

See Gemini System LED Module Catalog Sheet for ordering information.

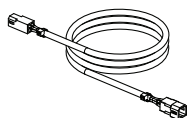
Gemini Starter Harness



Gemini Starter Harness is used in conjunction with all Gemini sections to allow a feed point for the LED uprights with additional wires for optional dimming circuit. The length of this harness is 3ft and should be fed from a Gemini Splice Chamber.

Finish	3 Ft
Black	50225-GEM

Gemini Extension Harness

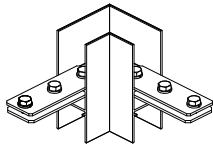


Gemini Extension Harness is used in conjunction with all Gemini sections to allow power and optional dimming circuit to be fed from one LED upright to another. The length of this harness is 6ft.

Finish	3 Ft	6 Ft
Black	50223-GEM	50226-GEM

GEMINI HOUSING • COMPONENTS

Gemini L Joiner Housing

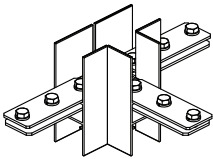


3 5/8"

Gemini L Joiner Housing is used when interconnecting two Gemini Housings at a right angle (90°). Supplied complete with mounting hole, coupling bars and hardware to interconnect all Housing Sections. Cable: Accepts 3/8" threaded rod or LSI Single Stainless Steel Cable Support Kit. Hang Straight: 7/8" hole for Hang Straight Support/Feed Stem

Finish	Cable	Hang Straight
Silver	50105-CBL-GEM	50105-HST-GEM
Black	50205-CBL-GEM	50205-HST-GEM
White	50305-CBL-GEM	50305-HST-GEM

Gemini T Joiner Housing

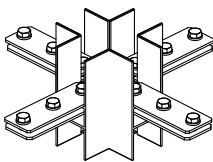


5 3/16"
3 5/8"

Gemini T Joiner Housing is used when interconnecting three Gemini Housings in a T configuration. Supplied complete with mounting hole, coupling bars and hardware to interconnect all Housing Sections. Cable: Accepts 3/8" threaded rod or LSI Single Stainless Steel Cable Support Kit. Hang Straight: 7/8" hole for Hang Straight Support/Feed Stem

Finish	Cable	Hang Straight
Silver	50106-CBL-GEM	50106-HST-GEM
Black	50206-CBL-GEM	50206-HST-GEM
White	50306-CBL-GEM	50306-HST-GEM

Gemini X Joiner Housing

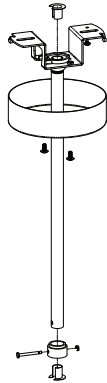


5 3/16"

Gemini X Joiner Housing is used when interconnecting four Gemini Housings in an X configuration. Supplied complete with mounting hole, coupling bars and hardware to interconnect all Housing Sections. Cable: Accepts 3/8" threaded rod or LSI Single Stainless Steel Cable Support Kit. Hang Straight: 7/8" hole for Hang Straight Support/Feed Stem

Finish	Cable	Hang Straight
Silver	50109-CBL-GEM	50109-HST-GEM
Black	50209-CBL-GEM	50209-HST-GEM
White	50309-CBL-GEM	50309-HST-GEM

Hang Straight Support/Feed Stem Kit



Allows feed/support to swivel 45° from vertical in all directions. (Max 4 #12 THHN wires or Max 5 #12 teflon wires in stem.)

18"	48"	96"
50186-GEM	50187-GEM	50188-GEM
50286-GEM	50287-GEM	50288-GEM
50386-GEM	50387-GEM	50388-GEM

Single Stainless Steel Cable Support Kit

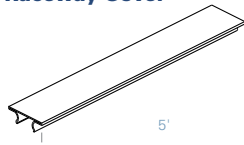


Use single field cuttable cable complete with mounting devices for Gemini configurations only. Kit mounts to Joiner housings.

Finish	144"
Silver	50113

GEMINI HOUSING • COMPONENTS

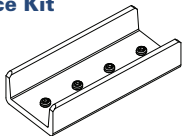
Gemini Raceway Cover



Gemini Raceway Cover is a snap-in plastic cover that creates a raceway for running additional wires in upper compartment of the Housing Section. Raceway Cover is field cuttable.

Nominal Length	
Finish	5 Ft
Silver	50165-GEM
Black	50265-GEM
White	50365-GEM

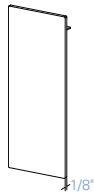
Gemini Splice Kit



Gemini Splice Kit is used in conjunction with all Gemini sections to allow mechanical connection between Gemini Sections.

SPL-KT-GEM

Gemini Housing End Cap



Gemini Housing End Cap is used at the extreme ends of Gemini runs.

Finish	
Silver	END-S-GEM
Black	END-B-GEM
White	END-W-GEM

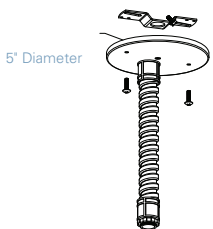
Gemini Splice Chamber



Gemini Splice Chamber is used in conjunction with all Gemini sections as a feed point through a 1/2 inch U.S. trade size access hole and as an internal junction box for splicing power feeds for either LED uprights and/or Track. These Splice Chambers can be located anywhere along the Gemini Housing. 144" Stainless Steel Aircraft Cable (supplied).

Finish	
Black	50213-GEM

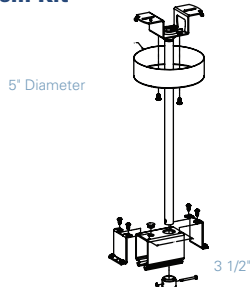
Gemini 1/2" Feed Kit for Stainless Steel Cable



Flexible conduit canopy kit for mounting to standard flush outlet box, supplied complete with flexible conduit for feeding into Gemini Splice Chamber 1/2 inch U.S. trade size access hole. Field cuttable. (Max. 9 #12 THHN wires in flexible conduit). To be used with Gemini Splice Chamber.

Nominal Length				
Finish	18"	48"	96"	144"
Silver	50130-GEM	50131-GEM	50132-GEM	50133-GEM
Black	50230-GEM	50231-GEM	50232-GEM	50233-GEM
White	50330-GEM	50331-GEM	50332-GEM	50333-GEM

Hang Straight Support/Feed Stem Kit



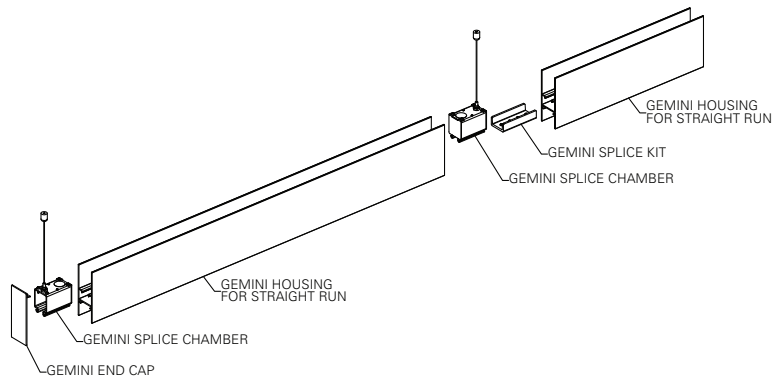
Allows Feed/Support Stem to swivel 45° from vertical in all directions. Field cuttable. (Max. 4 #12 THHN or Max 5 #12 teflon wires in stem)

Nominal Length			
Finish	18"	48"	96"
Silver	50118-GEM	50119-GEM	50120-GEM
Black	50218-GEM	50219-GEM	50220-GEM
White	50318-GEM	50319-GEM	50320-GEM

GEMINI HOUSING • INSTALLATION

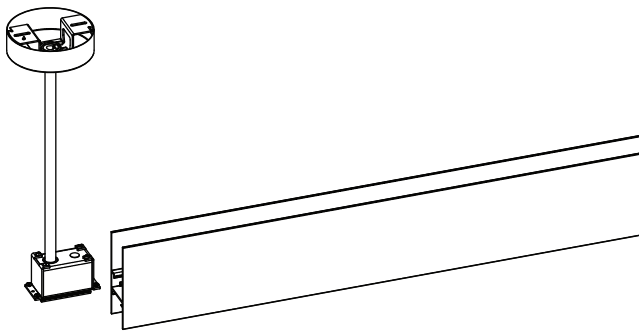
General Notes

When installing or using this track system, basic safety precautions should always be followed, including the following: Read all instructions. Do not install this track in damp or wet locations. Do not install any part of the track system less than five feet from floor. 18" minimum from ceiling is recommended for upright installation. Do not install any fixture assembly closer than six inches from any curtain or similar combustible material. Disconnect electrical power before adding to or changing the configuration of the track. Check with a qualified electrician. Do not attempt to energize anything other than lighting track fixtures on the track. To reduce the risk of fire and electric shock, do not attempt to connect power tools, extension cords, appliances and the like to the track. Install per NEC and local codes. Save these instructions.



Single Stainless Steel Cable Mounting Kit

The Cable Holders with field cuttable 144" stainless steel cable are supplied with the Gemini Splice Chamber, purchased separately for Mounting Kits and X, L, and T Joiners. The cable can be easily field cut to adjust height. Note: Non-track compartment of Gemini Housings are compatible with Unistrut P1000TM channel and hardware.



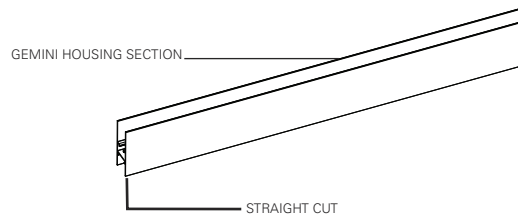
Hang Straight Rigid Support/Feed Stem Mounting Kit

Suspend Housings using 5/8" diameter steel tubing. The hang straight stem can be installed at any point along the Gemini Housing. The stem is easily field cuttable and has a drill guide sleeve to field drill a new hole in steel for clevis pin (included). This hang straight kit can also be used as a feed stem (maximum 4 #12 THHN or Max 5 #12 teflon wires). When using as a feed stem, you must use raceway covers.

GEMINI HOUSING • INSTALLATION

Field Cutting

Gemini Housings can be easily field cut using a sharp hacksaw or a chop saw with a non-ferrous blade. Cut the aluminum housing with one straight cut to match the length of the previously field cut track. Remove any burrs on the aluminum as this may affect the mechanical connection of components to Housings.



Mounting Data

Gemini Housing System supports should be mounted on centers no greater than 6 foot (1.8m). LSI recommends a minimum of two (2) mounting points for 4 foot (1.2m) and 8 foot (2.4m) housings and three (3) mounting points for 12 foot (3.7m) housings.

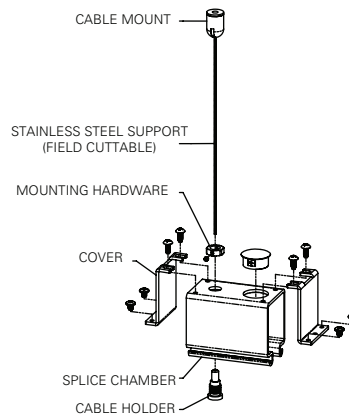
Maximum Uniform Fixture Load per 12' Span

Mounting Centers	4'	8'	12'
Max. Fixture Load	140 lbs	70 lbs.	30 lbs.

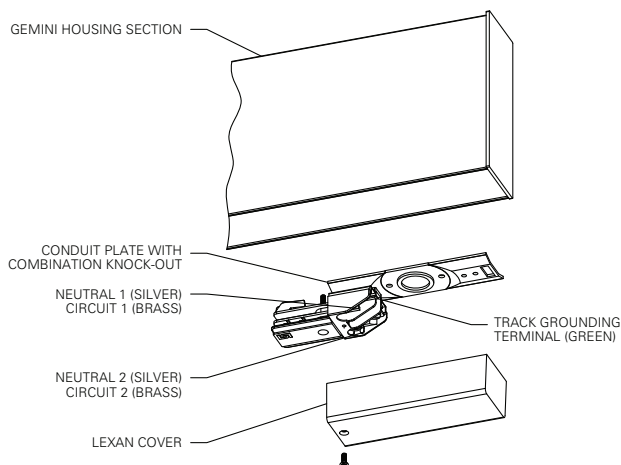
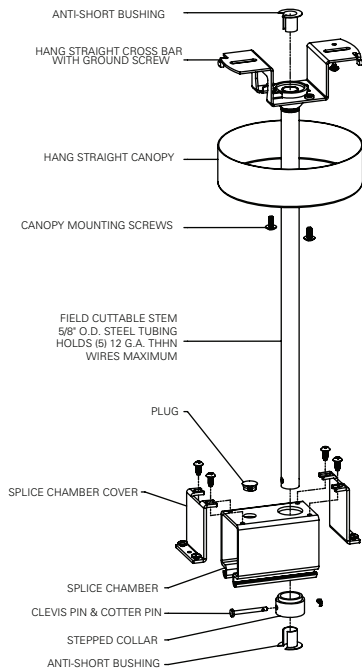
Note: Gemini housing with 2 circuit track is 2-1/2 lb./ft.

Single Stainless Steel Cable Support Mounting Kit

Do not cut cable prior to assembling. Mount cable mount with 1/4-20 hardware (by others), capable of withstanding a 50 lb. pull. Loosen the two (2) screws on the top of Gemini Splice Chamber to remove side cover and gain access the cable inside the splice chamber. Once the Gemini has been attached, loosen the knurled nut of cable holder and adjust cable to desired length (18" minimum from ceiling recommended for uplight). Cut off excess.



GEMINI HOUSING • INSTALLATION



Hang Straight Support and Feed Stem Mounting Kit

Feed Stem: Mount hang straight crossbar to junction box in ceiling with hardware (by others) capable of withstanding a 50 lb. pull. To field cut stem, determine the length of the stem desired. Remove cotter pin and clevis pin from stepped collar. Separate all components of kit. Cut stem to desired length. Align stepped collar with the end of the stem and use as drill guide to drill 5/32" hole, then reassemble. Replace clevis pin and cotter pin. Feed wires through stem to six inches (6") beyond hang straight ball. Loosen hang straight ball from stem, this will allow ball to pass through slot, align notch on ball with tab on crossbar. Once in place, turn stem clockwise to tighten in ball. Once hang straight is fully assembled and secured, attach Gemini Splice Chamber to Gemini Housing and finish wiring.

Electrical

Non-track compartment used for LED uplight. Install Gemini Splice Chamber at any desired location along the Gemini Housing to accept incoming conductors for energizing track. Conductors are fed through 1/2 inch U.S. trade size access hole and are run to the track End Feed or Joiner Feeder through a pre-punched .812 (20mm) x 2.00 (51mm) slot or 5/8" diameter hole in housings and into knockout in Track End Feed or Joiner/Feeder conduit plate. Raceway covers must be used when running conductors through non-track compartment. Attach supplied ground strap (included with the Gemini Housing) to stud located in the track section of the Gemini Housing with the supplied hardware. Remove the Lexan™ cover from any End Feed to Joiner/Feeder, bring conductors through combination U.S. trade size knockout (.875 diameter (22mm), 1.125 diameter (29mm)) in conduit plate and attach wires to identified terminal screws.

Additional Circuits

LSI Track has integral wiring channels for six additional #12 THHN wires to create three additional 20 amp circuits with separate neutrals. Gemini Housings act as raceway covers.

Installing LSI Fixtures

To insert a fixture fitting into the track, the switch must be in the off position, with the handle open. Insert the fixture fitting straight up into the track until it seats evenly, close handle completely, switch on. If using one circuit track, make sure that the brass contacts which protrude from the side of the fixture fittings are inserted facing the copper busbars. If using two circuit track, inserting the fixture fitting in one direction will energize circuit one. Removing and reversing the direction of the fitting will energize circuit two.