

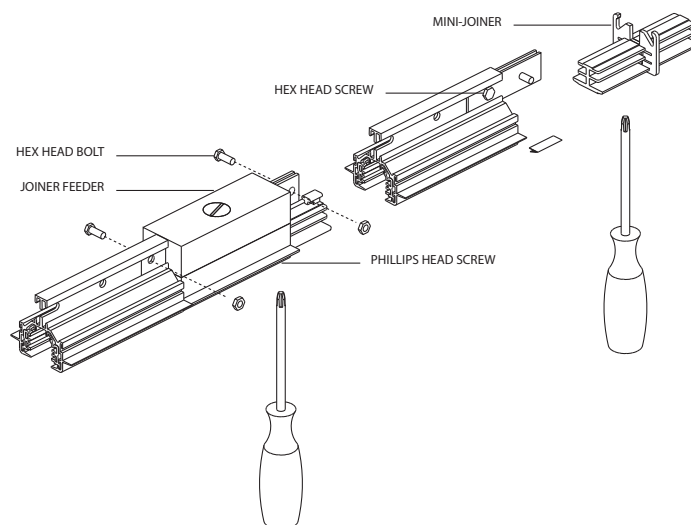
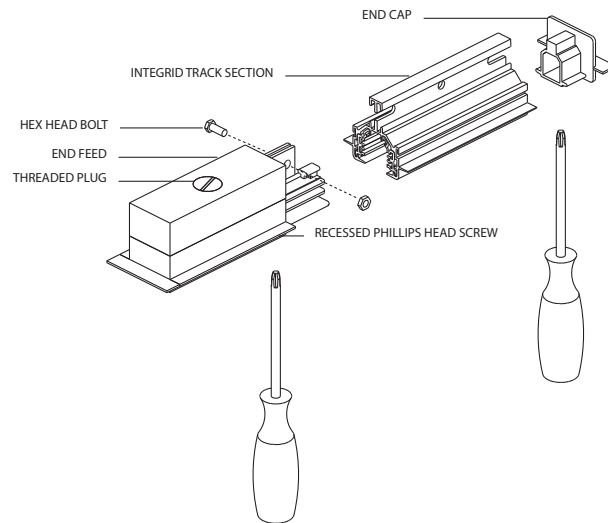
INTEGRID TRACK (120V) • INSTALLATION

General Notes

When installing or using this track system, basic safety precautions should always be followed, including the following: Read all instructions. Do not install this track in damp or wet locations. Do not install any part of the track system less than five feet from floor. Do not install any fixture assembly closer than six inches from any curtain or similar combustible material. Disconnect electrical power before adding to or changing the configuration of the track. Check with a qualified electrician. Do not attempt to energize anything other than lighting track fixtures on the track. To reduce the risk of fire and electric shock, do not attempt to connect power tools, extension cords, appliances and the like to the track. Install per NEC and local codes. Save these instructions.

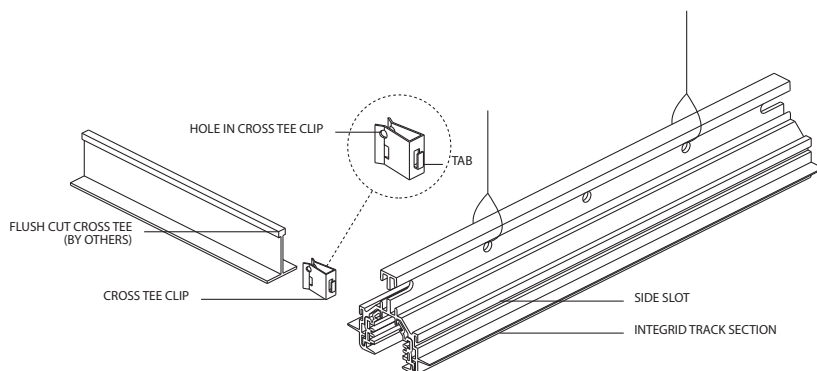
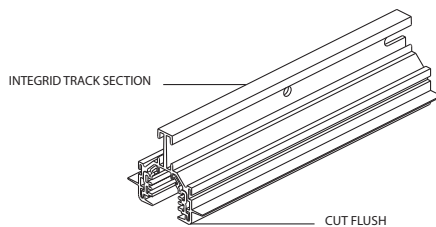
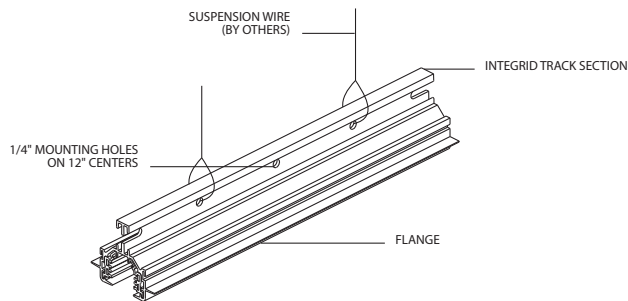
Assembling

Insert End Feed, Joiner/Feeder or End Cap completely into Integrid Track Section and tighten the recessed Phillips head screw. Do not use excessive force when inserting components into Integrid Track Section. Tighten hex head nut and bolt to structurally couple component to Integrid Track Section. Flanges align Integrid Track to ceiling system structure. Mini-Joiner, complete with splice bars, is used for coupling two Integrid Track Sections when feeding is not necessary.



INTEGRID TRACK (120V) • INSTALLATION

General Notes



Mounting

Hang Integrid Track System with suspension wire (by others) from pre-punched 1/4 inch (6mm) mounting holes every 24 inches (610mm). Each wire must be capable of withstanding a 50 lb. pull. Be sure to mount Integrid Track in compliance with NEC Lighting Track Article #410-101 (Installation) and #410-104 (Fastening) and any other applicable codes. LSI recommends a minimum of two mounting points per section of track. LSI track can be mounted on centers up to 6'-0".

Field Cutting

LSI track can be easily field cut using a sharp hacksaw or a chop saw with a blade for non-ferrous metals, such as Oldham commercial carbide series metal blade. Together, cut the aluminum track, Noryl™ insulation and copper with one straight cut. All pieces must be exactly the same length. Be sure to remove any burrs on the aluminum or the copper as this may affect the electrical and mechanical interconnection of components to track. Do not cut track to less than one foot in length.

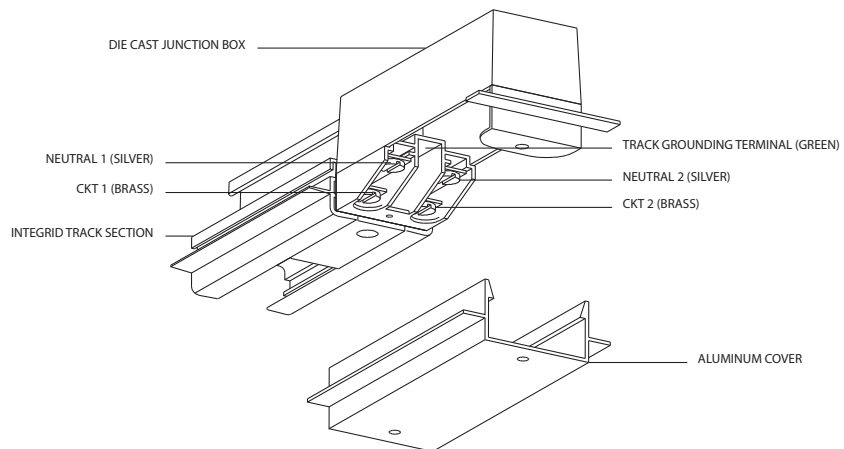
Ceiling Integration

Prepare cross tee by flush cutting the end of the cross tee that will be attached to the Integrid Track. Cut the cross tee approximately 5/8 inch (16mm) from the end. Insert tab of the Cross Tee Clip into side slot of the main runner of the Integrid Track and rotate 90°. Clip can accept the flush cut ceiling cross tee and can be located to accommodate any spacing of ceiling cross tees. Insert ceiling cross tee into Cross Tee Clip so that it sits firmly in the clip and rests on the Integrid Track flange. Install #6 self tapping screw (by others) through Cross Tee Clip using the clip hole as a guide. Each connection must be capable of withstanding a 180 lb. pull. Mount ceiling cross tees in compliance with Uniform Building Code Section 25.211.2 (Grid Members, Connectors and Expansion Devices).

INTEGRID TRACK (120V) • INSTALLATION

Electrical

Remove threaded plug from the top of die cast junction box. Remove the cover from the End Feed or the Joiner/Feeder, bring conductors through .75 diameter (19mm) 1/2-14 NPS threaded hole, and attach wires to identified terminals. Joiner/Feeders can be electrically field modified after removal of aluminum cover by rerouting internal pre-wired jumpers.



Installing LSI Fixtures

To insert a fixture fitting into the track, the switch must be in the "off" position, with the handle open. Insert the fixture fitting straight up into the track until it seats evenly, close handle completely, switch on. If using one circuit track, make sure that the brass contacts which protrude from the side of the fittings are inserted facing the copper busbars. If using two circuit track, inserting the fixture fitting in one direction will connect to circuit one. Removing and reversing the direction of the fixture fitting will connect to circuit two.

