

LumeLEX 2060, 2062 SERIES INSTALLATION INSTRUCTIONS

Important THIS SHEET CONTAINS IMPORTANT SAFETY INSTRUCTIONS. SAVE THESE INSTRUCTIONS.

Warning This product must be installed in accordance with National Electrical Codes and all other local codes by a person familiar with the construction and operation of the product and the hazards involved.

To prevent electrical shock, turn off the power during installation or maintenance.

To reduce the risk of fire, keep away from combustible materials.

Product Overview The LumeLEX 2060, 2062 is an LED Luminaire spotlight which benefits from remote phosphor technology to produce high quality, high output, consistent white light for the most demanding applications of museum and retail accent lighting.

See the fixture label for voltage and wattage input.

Please consult our *Product Catalog* or web site for available accessories.

We recommend that you first install the reflector before installing the fixture.



Sample Replacement LED

LumeLEX 2060, 2062 Series Spotlight



Purpose of This Sheet

The purpose of this sheet is to provide step-by-step instructions to help you:

- Install the fixture with any of the following: -00 fitting on an LSI track, -5A canopy, -2G universal flange fitting, -3G C-Clamp fitting, or -BUS on LSI busway
- Install accessory reflectors
- Aim the self-locking and wrench-locking fixture
- Clean the reflector

Dimming

- The LX2060, 2062 is fully dimmable using compatible low-voltage electronic dimmers.
 - Please review dimming application guide for more detailed information and a list of compatible dimmers
-

Installing or Removing the Bayonet Reflector

The reflector is attached using a 3-tab bayonet system. To install the reflector, insert the tabs into the notches on the LED Adapter Ring and rotate clockwise.

STEP	ACTION
1	Turn off all power to the fixture, including the fixture switch on the fitting, and let the lamp cool. WARNING: LED and fixture may be hot.
2	Remove the front bezel by turning it counter-clockwise, then pulling it off the fixture. (Fig. 1).
3	Remove the reflector by turning it counter-clockwise, then pulling it out of the fixture (Fig. 2).
4	Insert the new reflector by lining up the three tabs with the notches in the LED Adapter Ring, and rotating clockwise until it is secured in place (Fig. 3).
5	Close the fixture front by replacing the front bezel. Align the bayonet spring/brass bushings on the bezel to the grooves on the fixture and rotate clockwise until an audible “click” is heard and the bezel is seated (Fig. 1).
6	Restore power. WARNING: Do not look directly at the lit lamp

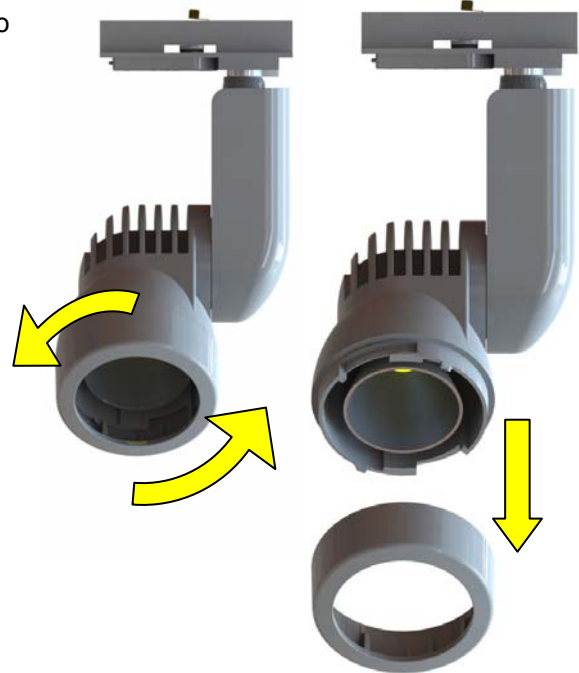


Figure 1. Closed fixture (L). Front bezel removed (R).

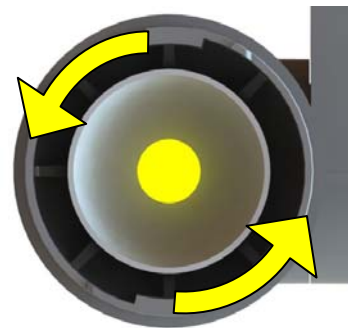


Figure 2. Rotate reflector counter-clockwise to remove it.

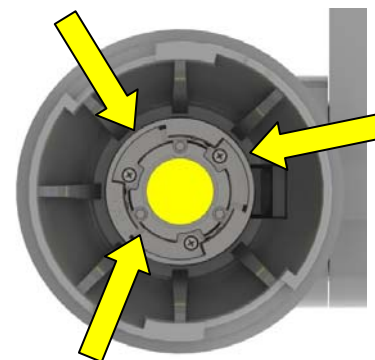


Figure 3. The three notches in the LED Adapter Ring. Align the reflector tabs with these notches and rotate clockwise to secure it in place.

Installing the Fixture with the -00 Fitting on an LSI Track or Busway

FOR USE WITH LSI 3, 4, 5, 6, 8, AND 9 SERIES TRACK

INSTALLATION INSTRUCTIONS: The track or busway must already be installed according to code requirements. When installing or using this track, basic safety precautions should always be followed, including the following:

- Read all instructions.
- Do not install any part of a track less than 5 feet above the floor (8 feet for 277V).
- Do not install any fixture closer than 6 inches from any curtain or similar combustible material.

STEP	ACTION
1	Flip the fitting switch off and open the fitting handle (Fig. 4).
2	Are you using a one-circuit or two-circuit system? <ul style="list-style-type: none"> ▪ <i>If one-circuit</i>, make sure the brass contacts that protrude from the side of the fitting face the copper busbars inside the track. ▪ <i>If two-circuit</i>, inserting the fitting in one direction connects to circuit one. Removing and reversing the direction of the fitting connects to circuit two.
3	Insert the fitting straight up into the track until fully seated (Fig. 5).
4	Close the handle and flip the fitting switch on (Fig 6). WARNING: Do not look directly at lit LED.
5	To remove the fitting, hold the fixture in place, flip the fitting switch off, open the handle and pull the fitting straight off the track.



Figure 4. Fitting with switch OFF and handle OPEN.



Figure 5. Inserted fitting



Figure 6. Switch ON, fitting handle closed

Installing the Fixture with a 5A Canopy

Before Installing: Consult the code requirements for fixture mounting. Mount the fixture to a ceiling constructed of non-combustible material, away from any flammable materials.

STEP	ACTION
1	Turn off all power to the fixture mount.
2	Unscrew the 2 supplied canopy mounting screws, and remove the crossbar from the canopy (Fig. 7).
3	Attach the canopy crossbar (Fig. 8) to a ceiling junction box with 2 screws (supplied by others).
4	Fasten the power wires (Fig. 8) from the junction box to the fixture wires. <i>Note:</i> Connect green to ground, black to the circuit line, and white to neutral.
5	Attach the canopy to the ceiling with the 2 supplied canopy mounting screws.



Figure 7. Fixture mounted on the 5A Canopy

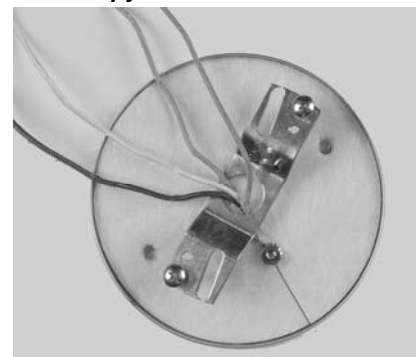


Figure 8. Ground and power wires with canopy crossbar

Installing the Fixture with a -2G Universal Flange Fitting and a -3G C-Clamp Fitting

Before Installing: Consult the code requirements for fixture mounting, and check the distance-from-wall label inside the fixture. Mount away from any flammable materials.

**For the -2G fitting, follow steps 1, 2, 4, and 5.
For the -3G fitting, follow steps 1, 3, 4, and 5.**

STEP	ACTION
1	Turn off all power to the fixture.
2	Attach the -2G fitting (Fig. 9) to any non-combustible material, using the 2-hole flanged mounting plate with 2 screws (supplied by others) or bolt-up applications, such as Unistrut or Kindorf systems.
3	Attach the -3G fitting (Fig. 10) to a non-combustible pipe measuring 5/8" to 2" in outside diameter, and then secure the fitting by turning the C-clamp bolt clockwise.
4	Plug the fixture into a power source. IMPORTANT SAFETY INSTRUCTIONS This product has a polarized plug (one blade is wider than the other) as a feature to reduce the risk of electric shock. This plug will fit in a polarized outlet only one way. If the plug does not fit fully in the outlet, reverse the plug. If it still does not fit, contact a qualified electrician. Never use with an extension cord unless the plug can be fully inserted. Do not alter the plug.
5	Turn on the main power, and then flip the fitting switch on. Note: The switch is located on the base of fitting.



Figure 9. -2G universal flange fitting



Figure 10. -3G C-clamp fitting

Installing Accessory Filters and Reflectors

Before Installing: The LumeLEX 2060, 2062 has a removable front bezel that holds size-AA LSI filters and accessories. Consult our *Product Catalog* or web site for accessory recommendations.

STEP	ACTION
1	Turn off all power to the fixture, including the fixture switch on the fitting, and let the lamp cool. WARNING: LED and fixture may be hot.
2	Remove the front bezel (Fig. 1) by turning it counter-clockwise, then pulling it off the fixture.
3	Insert the glass or accessory filter directly inside the front bezel until it is secured in place (Fig. 11). <i>Note:</i> The front bezel holds up to 3 accessory filters. The smooth side of the spread lenses and beam-softener filters faces the lamp.
4	Close the fixture front by replacing the front bezel. Align the bayonet spring/brass bushing on the bezel to the grooves on the fixture and rotate clockwise until an audible “click” is heard and the bezel is seated (Fig. 1).
5	Restore power. WARNING: Do not look directly at the lit lamp.

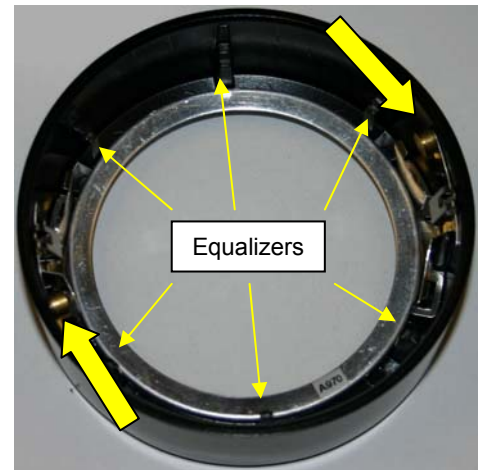


Figure 11. Glass filter inside the front bezel and equalizers. Push to insert or remove filters.

Aiming the Self-Locking and Wrench-Locking Fixtures

Before Aiming: For self-locking fixtures, you do not need an external locking device to set the horizontal and vertical focus. For wrench locking fixtures, use the supplied Allen key (3/32 inches) to set and lock the horizontal and vertical focus.

STEP	ACTION
1	Turn off all power to the fixture, including the fixture switch on the fitting, and let the LED cool. WARNING: LED and fixture may be hot.
2	Do you want to aim the fixture horizontally or vertically? <ul style="list-style-type: none"> For horizontal aiming, hold the ballast housing and turn it left or right until you achieve your desired orientation (Fig. 10). For vertical aiming, hold the LED housing and angle it up and down until you achieve your desired orientation (Fig. 11). For wrench locking: After aiming, insert the Allen key into the horizontal or vertical focus lock (Fig. 12), and turn it clockwise to tighten. <p>Note: For track and busway fixtures, the Allen key is stored in the fitting handle (Fig. 13).</p>
3	Restore power. WARNING: Do not look directly at the lit LED.

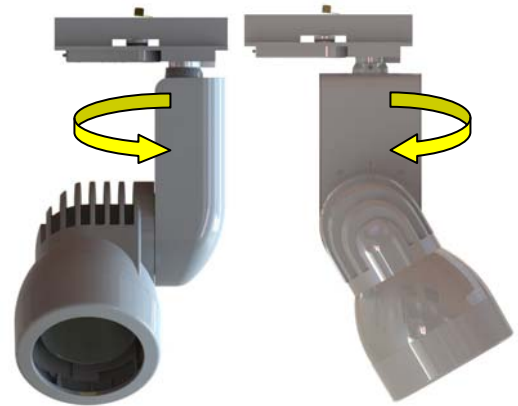


Figure 10. Turn fixture left or right to set the horizontal focus.

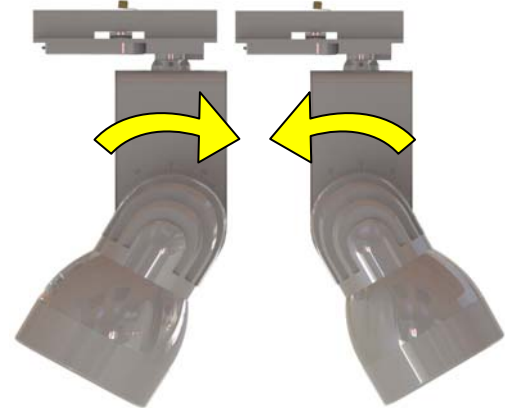


Figure 11. Angle fixture up or down to set the vertical focus.

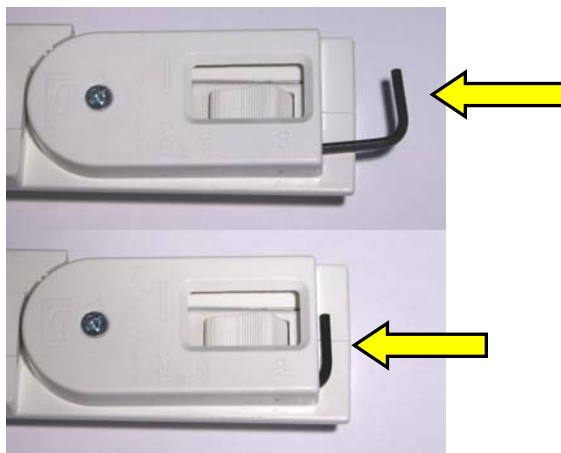


Figure 13. Allen key storage in fitting. Push in to secure the key.



Figure 12. Horizontal focus lock (top arrow). Vertical focus lock (bottom arrow).

Servicing the LED Module or Swapping out Driver

If you need to change the LED Module, follow the steps below.
If you need to swap out the driver, follow steps 5 through 10.

STEP	ACTION
1	Remove all power to the fixture, including the fixture switch on the fitting. Let the LED Module cool and unmount fixture from track or other mounting WARNING: LED Module and fixture may be hot.
2	Remove the front bezel by turning it counter-clockwise, then pulling it off the fixture. (Fig. 1).
3	Remove the reflector by turning it counter-clockwise, then pulling it off the fixture (Fig. 2) and setting it aside.
4	Remove the Adapter Ring by unscrewing the three screws securing it to the LED Module (Fig. 13). Pull the Adapter Ring off the fixture and set aside.
5	Remove the LED Module by unscrewing the three screws securing it to the die cast heat sink (Fig. 14).
6	Open the driver housing by unscrewing the screw at the top of the driver housing and sliding the cover down (Fig. 15).
7	Pull out the wires and open the Quick Connect tab to disconnect the LED wires from the circuit (Fig. 16).
8	Remove the old LED Module from the fixture.
9	Feed wires of new LED Module back through the sleeving and into the driver housing.
10	Reconnect the new LED wires to the Quick Connect by lifting the tab and inserting the wire (Fig. 16). <i>Note: Ensure that the wires are paired by color as black to black and red to purple.</i>
11	Close the driver housing by sliding the cover into place and screwing the screw at the top of the driver housing (Fig. 15).
12	Install the new LED Module by firmly screwing the three screws to the Heat Sink (Fig. 14).
13	Reattach the Adapter Ring by screwing the three screws to secure it to the LED Module (Fig. 13).
14	Reattach the reflector by lining up the tabs with the notches in the LED Adapter Ring, and rotating clockwise until it is secured in place (Fig. 3).
15	Close the fixture front by replacing the front bezel. Align the bayonet spring/brass bushings on the bezel to the grooves on the fixture and rotate clockwise until an audible “click” is heard and the bezel is seated (Fig. 1).
16	Restore all power to the fixture. WARNING: Do not look directly at the lit LED.

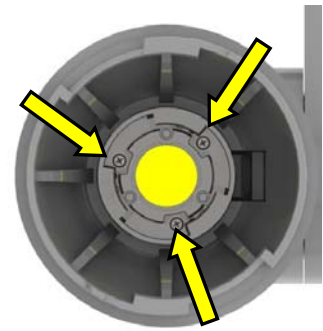


Figure 13. The three screw locations for the Adapter Ring.

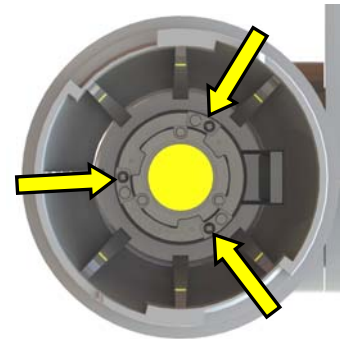


Figure 14. The three screw locations for the LED Module.



Figure 15. The screw location for the driver housing cover.



Figure 16. A Quick Connector with tab lifted. Ensure that one connector has two black wires and the other connector has a red wire and a purple wire.

CLEANING INSTRUCTIONS for LumeLEX 2000 REFLECTORS

Important

FOLLOW THESE INSTRUCTIONS SO TO PREVENT DAMAGE TO YOUR REFLECTOR. NOT CLEANING THE REFLECTOR CORRECTLY CAN REDUCE THE EFFICIENCY OF THE OPTICAL SURFACE. DO NOT TOUCH THE SURFACE OF THE REFLECTOR WITH YOUR BARE SKIN, AS HUMAN SKIN OIL WILL DEGRADE THE OPTICAL SURFACE.

Cleaning the Reflector

INSTRUCTIONS: Follow instructions from the specific fixture and reflector for removal and assembly of the reflector to that fixture. Wear blue nitrile gloves during this process to ensure not to touch the optical surface of the reflector with your bare skin.

MATERIALS REQUIRED:

- De-ionized water
- Blue Nitrile Gloves
- Dish soap (such as Dawn[®]) OR • Isopropyl Alcohol
- Can of clean compressed air OR • Air Bulb (aka suction bulb)
- Lens Tissue (Kemwipes[®]) OR • Terry Cloth

STEP	ACTION
1	Remove the reflector from the fixture
2	Using either a can of clean compressed air or a bulb, blow clean air across to remove any surface dust or debris.
3	Apply a generous amount of either De-ionized water combined with a small amount of dish soap, or Isopropyl Alcohol, to a lens tissue or terry cloth.
4	While wearing nitrile gloves, gently clean the inside of the reflector with the wet lens tissue or terry cloth.
5	Allow optic to dry prior to reinstalling onto the fixture.