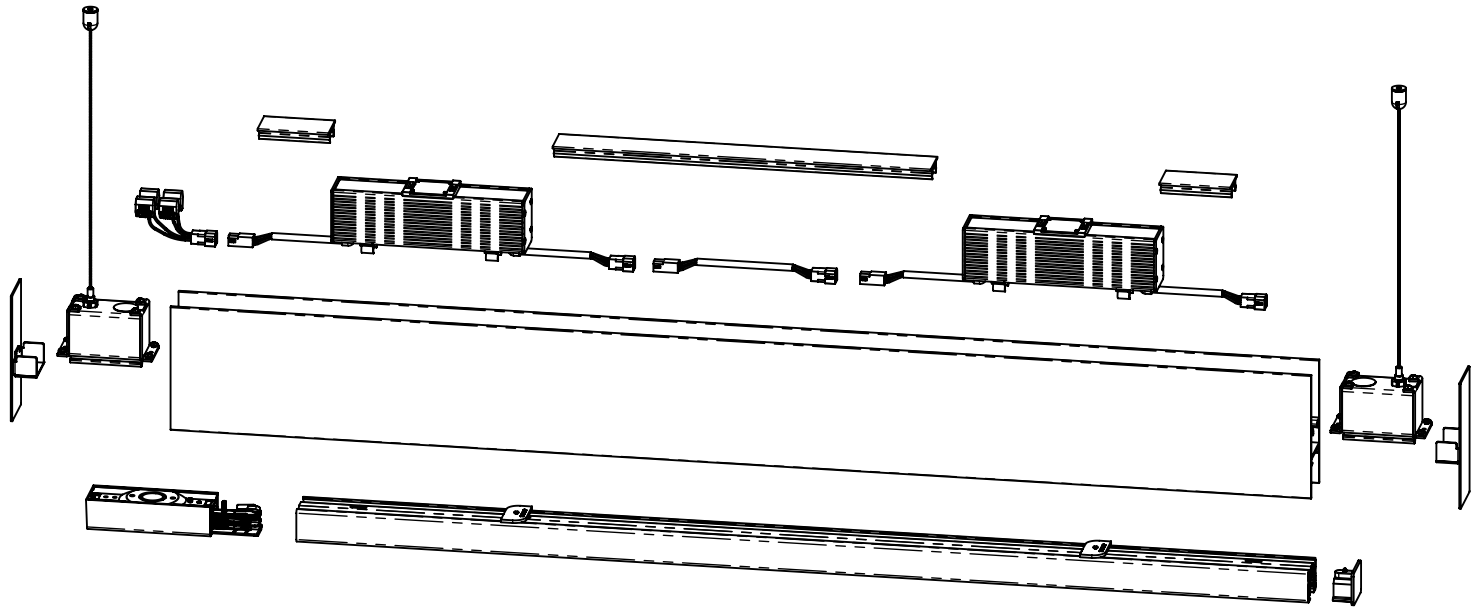


INSTALLATION INSTRUCTIONS FOR GEMINI SYSTEM COMPONENTS



TO PREVENT RISK OF SHOCK, TURN OFF ELECTRICITY PRIOR TO INSTALLATION OR MAINTENANCE

IMPORTANT SAFETY INFORMATION

WHEN INSTALLING OR USING THIS TRACK SYSTEM, BASIC SAFETY PRECAUTIONS SHOULD ALWAYS BE FOLLOWED, INCLUDING THE FOLLOWING:

- READ ALL INSTRUCTIONS.
- DO NOT INSTALL IN DAMP OR WET LOCATIONS.
- DO NOT CUT ANY TRACK SECTIONS.
- DO NOT INSTALL ANY FIXTURE ASSEMBLY CLOSER THAN SIX INCHES FROM ANY CURTAIN OR SIMILAR COMBUSTIBLE MATERIAL.
- CHECK WITH A QUALIFIED ELECTRICIAN.
- DO NOT ATTEMPT TO ENERGIZE ANYTHING OTHER THAN LIGHTING FIXTURES ON THE TRACK.
- DO NOT ATTEMPT TO CONNECT POWER TOOLS, EXTENSION CORDS, APPLIANCES AND THE LIKE TO THE TRACK.
- MOUNTING LOCATIONS SHALL NOT EXCEED 6 FEET ON CENTER.

SAVE THESE INSTRUCTIONS

CONFIDENTIAL-PROPRIETARY INFORMATION - THE INFORMATION HEREIN IS PROTECTED UNDER COPYRIGHT AND IS OF A PROPRIETARY NATURE AND IS SUBMITTED IN CONFIDENCE FOR USE BY OUR CLIENTS ONLY. UNAUTHORIZED REPRODUCTION, PUBLICATION, DISTRIBUTION OR DISSEMINATION IN WHOLE OR PART, IS EXPRESSLY PROHIBITED. THE INFORMATION CONTAINED HEREIN IS AND REMAINS THE PROPERTY OF LIGHTING SERVICES INC. AND RECEIPT OR POSSESSION OF THIS INFORMATION CONFERS NO RIGHT IN OR LICENSE TO DISCLOSE TO OTHERS THE SUBJECT MATTER CONTAINED HEREIN FOR ANY BUT AUTHORIZED PURPOSES. COPYRIGHT LIGHTING SERVICES INC. ALL RIGHTS RESERVED



LIGHTING SERVICES INC 2 HOLT DRIVE STONY POINT, NY 10980-1996 TEL: 845-942-2800 www.LightingServicesInc.com

INSTALLATION INSTRUCTIONS FOR GEMINI SYSTEM COMPONENTS

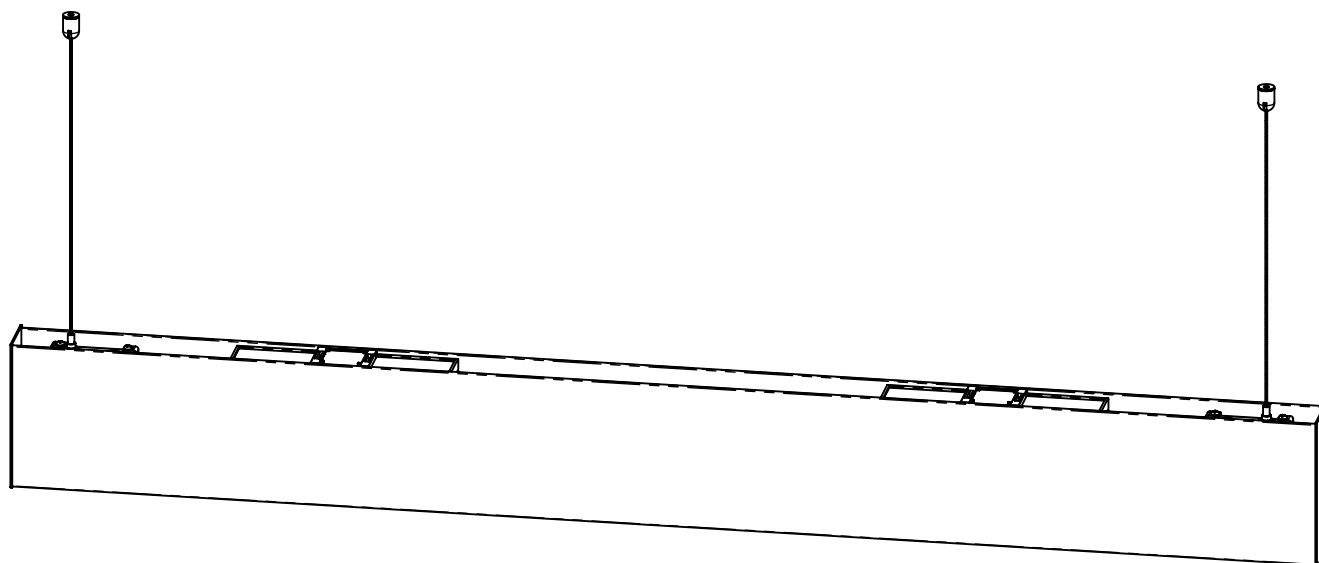


TABLE OF CONTENTS:

PAGE 3. GEMINI MOUNTING WITH STAINLESS STEEL CABLE SUPPORT

PAGE 4. GEMINI MOUNTING WITH HANG STRAIGHT SUPPORT / FEED STEM

PAGE 5. FIELD CUTTING GEMINI HANG STRAIGHT SUPPORT / FEED STEM

PAGE 6. FIELD CUTTING THE GEMINI HOUSING SECTIONS

PAGE 7. INSTALLATION OF 1/2" BX/AC TYPE FEED KIT FOR STAINLESS STEEL CABLE

PAGE 8. INSTALLATION OF 1/2" SJO TYPE FEED KIT FOR STAINLESS STEEL CABLE

PAGE 9. INSTALLATION OF SPLICE CHAMBER / WIRING CHAMBER

PAGE 10. INSTALLATION OF GEMINI SPLICE KIT

PAGE 11. FIELD ASSEMBLY OF JOINERS WITH STAINLESS STEEL CABLE

PAGE 12. FIELD ASSEMBLY OF JOINERS WITH HANG STRAIGHT

PAGE 13. WIRING GEMINI LED UPLIGHT STARTER HARNESS

PAGE 14. INSTALLATION OF LSI TRACK

PAGE 15. INSTALLING GEMINI LED UPLIGHT MODULES

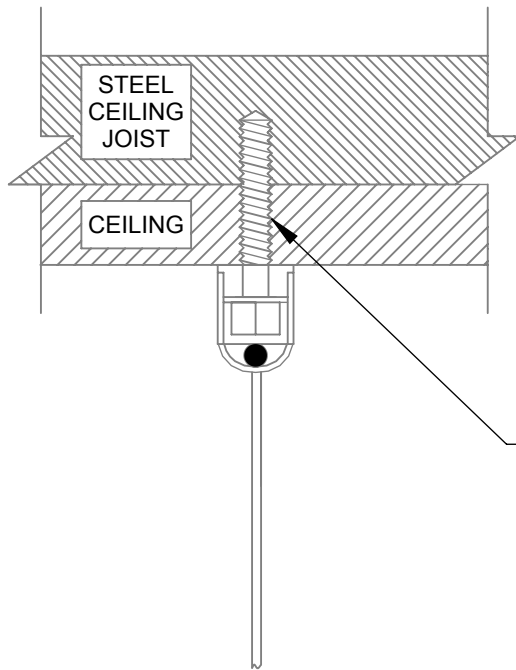
PAGE 16. INSTALLATION OF GEMINI RACEWAY COVER

PAGE 17. INSTALLATION OF GEMINI HOUSING SECTION END CAPS

PAGE 18: REMOVAL AND INSTALLATION OF GEL ACCESSORIES

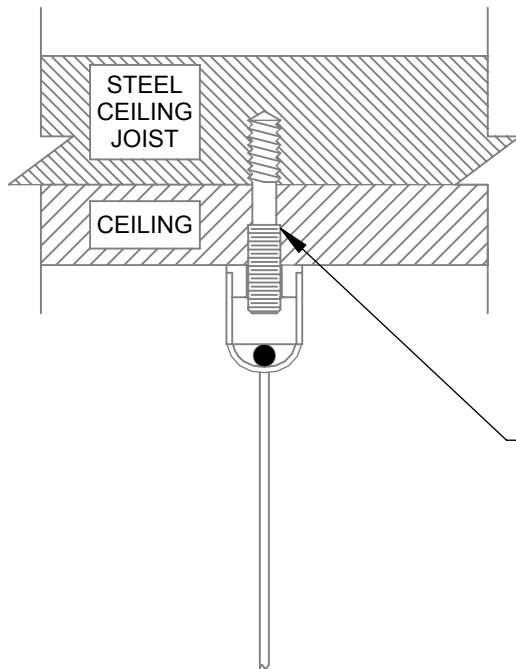
INSTALLATION INSTRUCTIONS FOR GEMINI SYSTEM COMPONENTS

GEMINI MOUNTING WITH STAINLESS STEEL CABLE SUPPORT



OPTION 1:

STEEL SCREW CAN BE INSERTED INTO MOUNT AND UP INTO STEEL CEILING JOIST OR OTHER MOUNTING MATERIAL SUITABLE FOR STEEL OR STEEL SCREW MOUNTING (BY OTHERS)



OPTION 2:

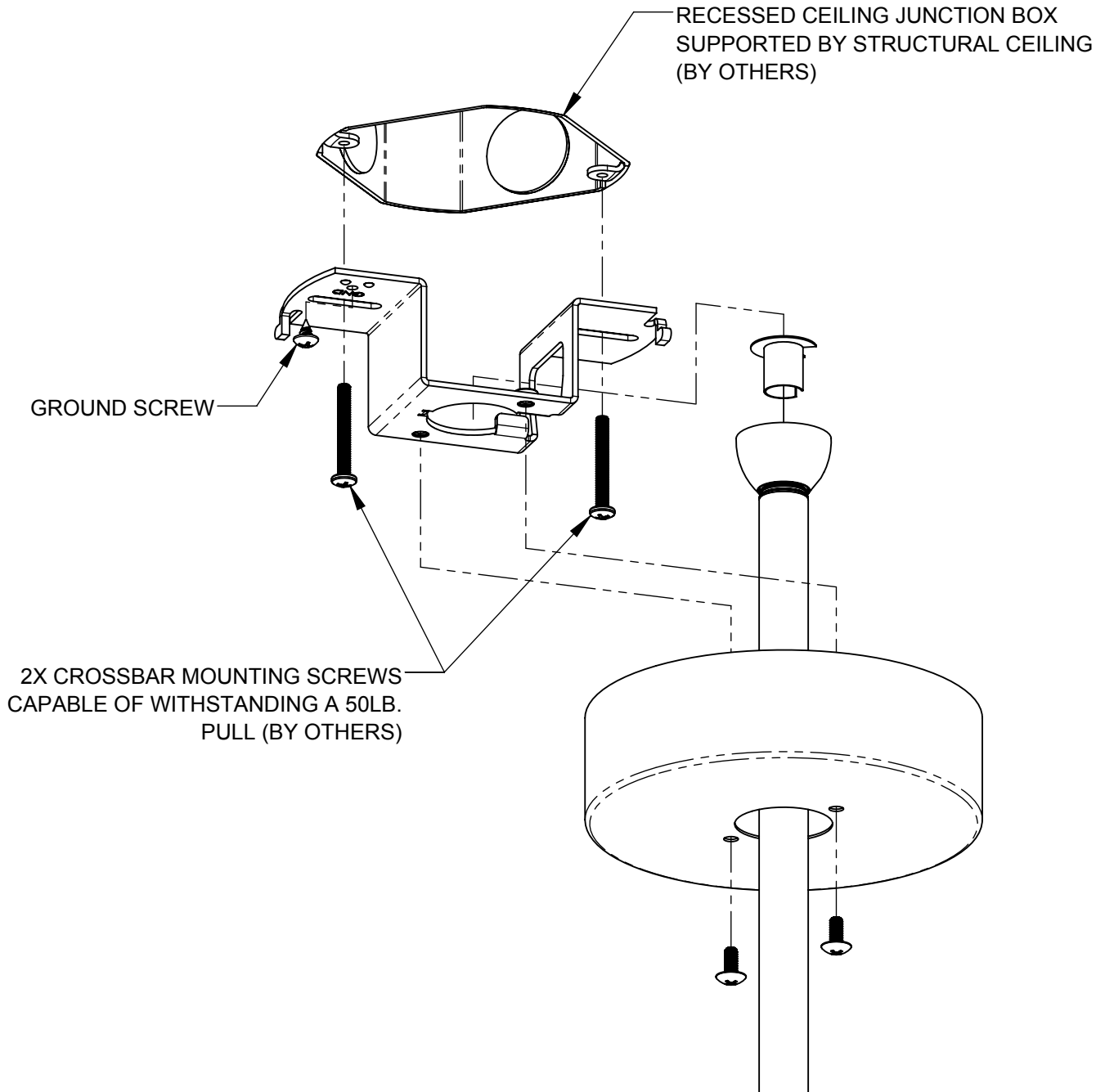
MOUNT CAN BE SCREWED ON USING THE REAR THREADED SECTION AFFIXED TO A STEEL STUD CAPABLE OF WITHSTANDING A 50LB. PULL (BY OTHERS)

NOTES:

1. TRACK MUST BE INSTALLED AT A MINIMUM OF 8 FEET ABOVE THE FLOOR.
2. TOTAL ADDITIONAL FIXTURE LOAD NOT TO EXCEED 50LBS. AND 15 AMPS MAXIMUM ON THE TRACK.

INSTALLATION INSTRUCTIONS FOR GEMINI SYSTEM COMPONENTS

GEMINI MOUNTING WITH HANG STRAIGHT SUPPORT / FEED STEM



NOTES:

1. A MAXIMUM OF (5) #12 THHN WIRES CAN BE FED DOWN THE HANG STRAIGHT STEM.

INSTALLATION INSTRUCTIONS FOR GEMINI SYSTEM COMPONENTS

FIELD CUTTING GEMINI HANG STRAIGHT SUPPORT / FEED STEM

FIELD CUT SUPPORT / FEED HANG STRAIGHT STEM

DETERMINE THE LENGTH OF THE STEM DESIRED.

CUT THE STEM TO THE DESIRED LENGTH USING A SHARP HACKSAW OR A CHOP SAW WITH A NON-FERROUS BLADE.

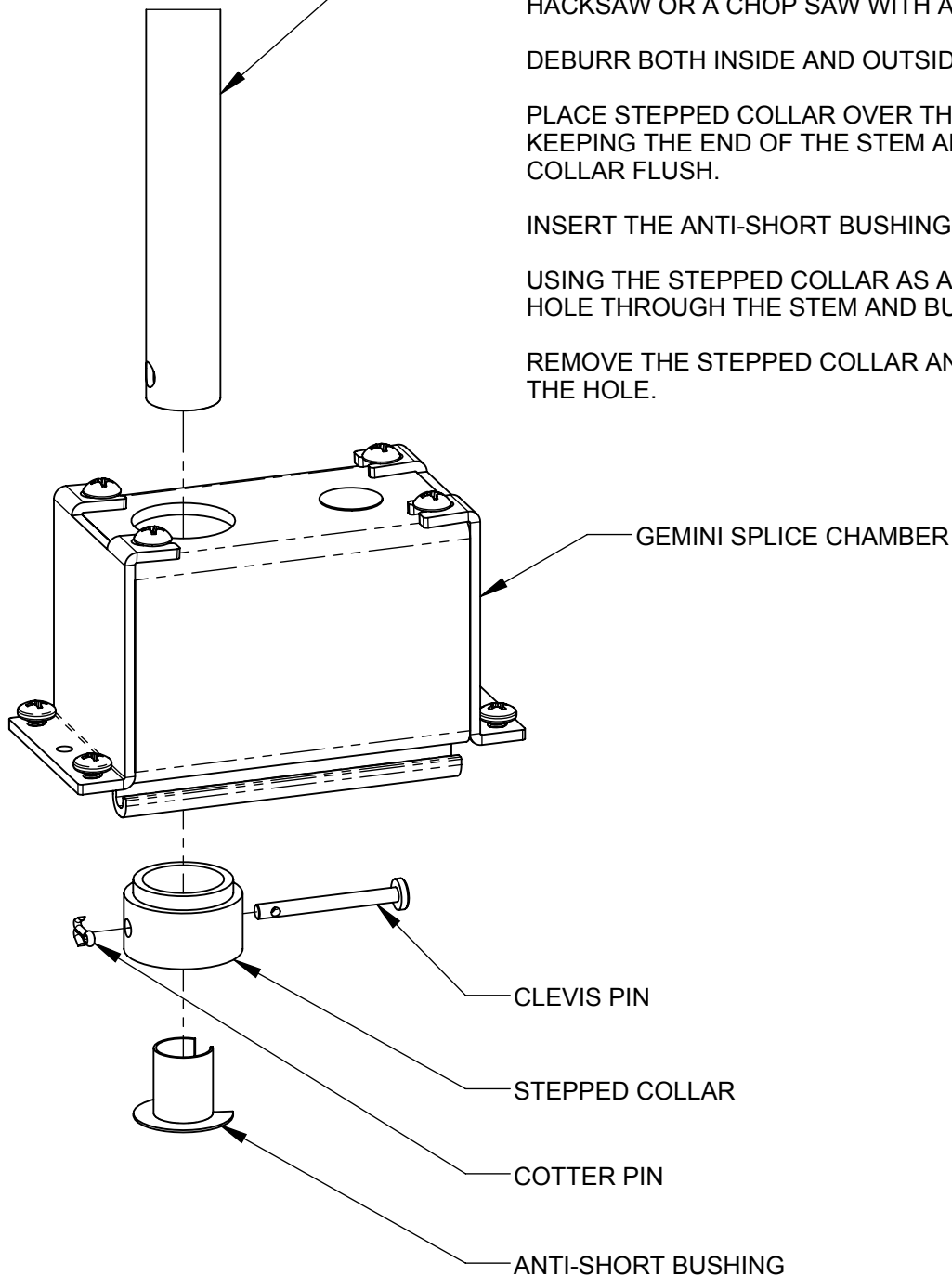
DEBURR BOTH INSIDE AND OUTSIDE OF THE CUT END.

PLACE STEPPED COLLAR OVER THE CUT END OF THE STEM KEEPING THE END OF THE STEM AND THE BOTTOM OF THE COLLAR FLUSH.

INSERT THE ANTI-SHORT BUSHING INTO THE END OF THE STEM.

USING THE STEPPED COLLAR AS A DRILL GUIDE, DRILL A $\phi 5/32$ " HOLE THROUGH THE STEM AND BUSHING.

REMOVE THE STEPPED COLLAR AND BUSHING AND DEBURR THE HOLE.



INSTALLATION INSTRUCTIONS FOR GEMINI SYSTEM COMPONENTS

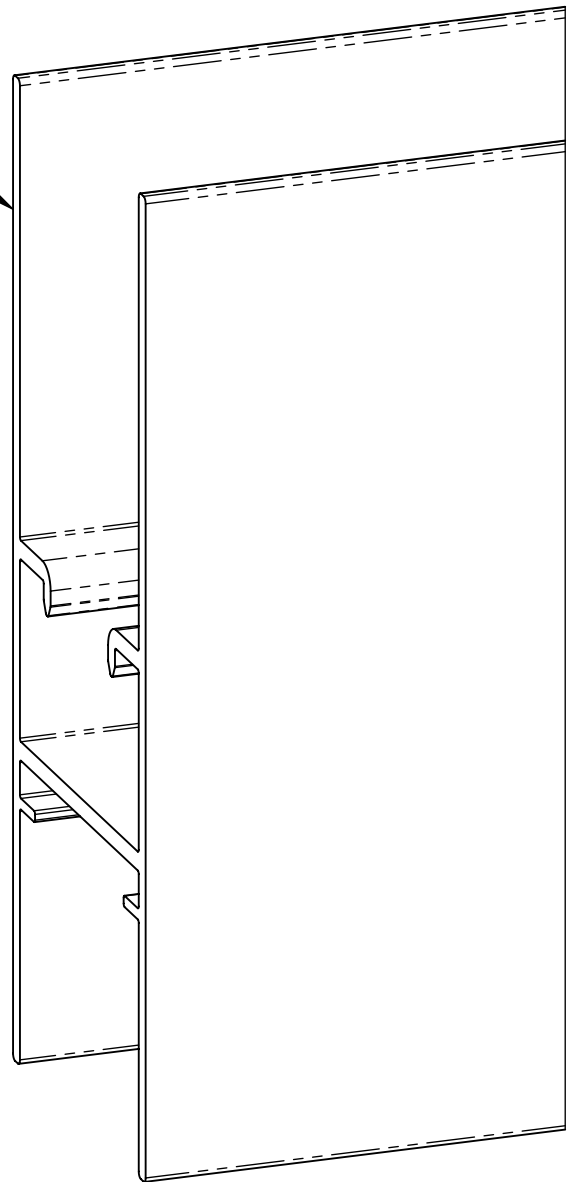
FIELD CUTTING THE GEMINI HOUSING SECTIONS

FIELD CUT HOUSING

THE GEMINI HOUSING CAN BE EASILY FIELD CUT USING A SHARP HACKSAW OR A CHOP SAW WITH A NON-FERROUS BLADE.

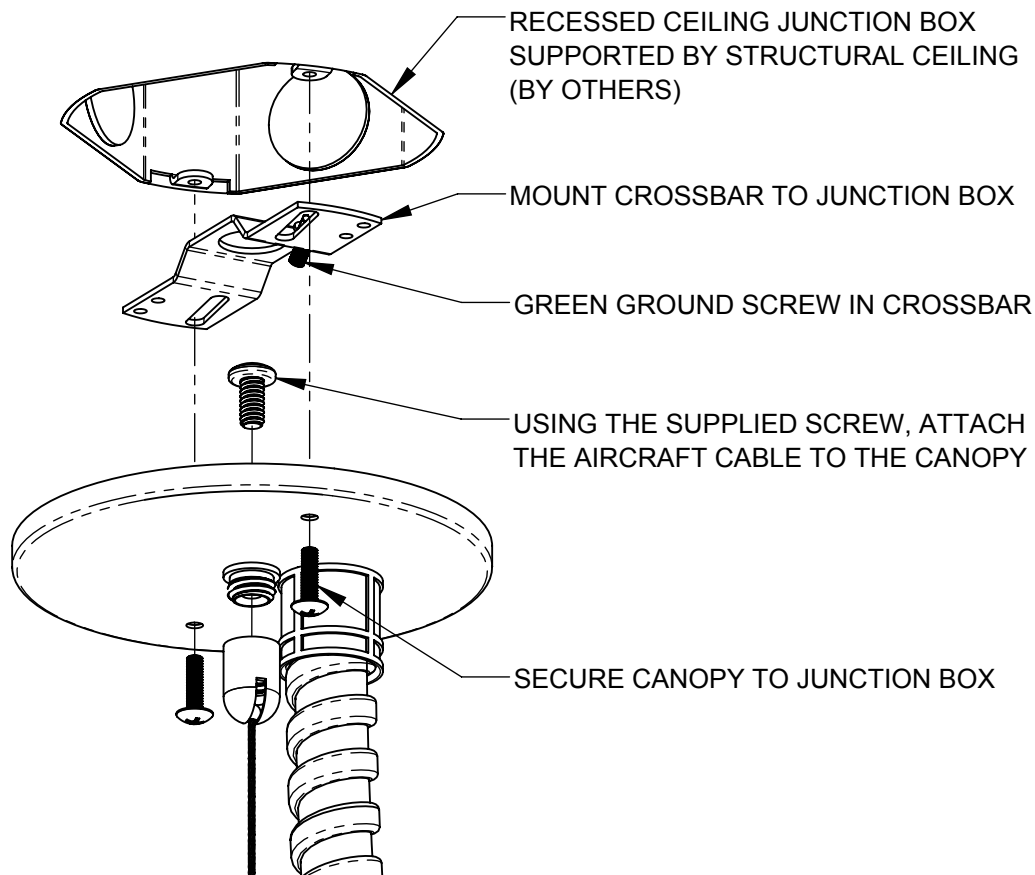
CUT THE GEMINI HOUSING WITH ONE STRAIGHT CUT TO THE DESIRED LENGTH.

REMOVE ANY AND ALL BURRS ON THE HOUSING AS THIS MAY AFFECT THE MECHANICAL CONNECTION OF COMPONENTS TO THE GEMINI HOUSING.

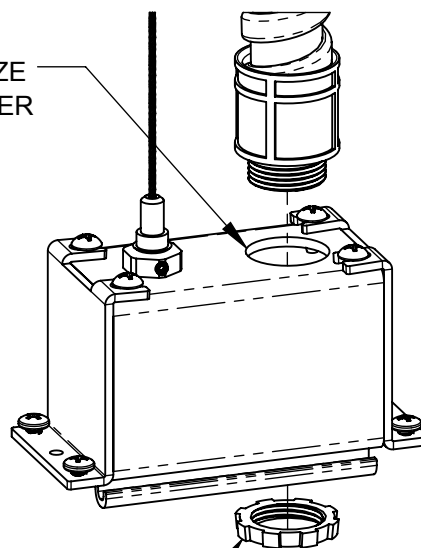


INSTALLATION INSTRUCTIONS FOR GEMINI SYSTEM COMPONENTS

INSTALLATION OF 1/2" BX/AC TYPE FEED KIT FOR STAINLESS STEEL CABLE



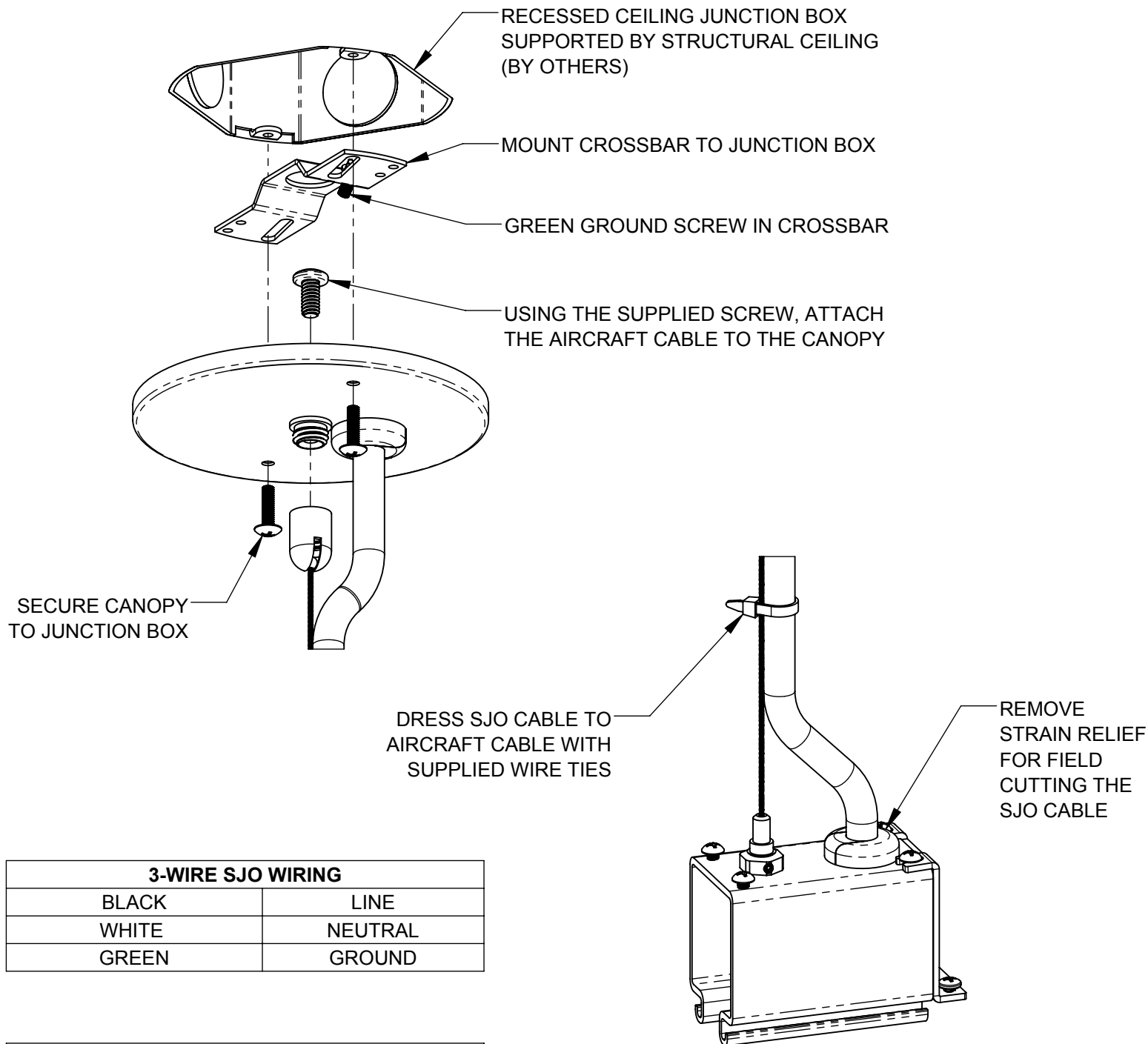
REMOVE THE EXISTING 1/2 TRADE SIZE
PLUG IN THE SPLICE CHAMBER



SECURE THE 1/2" FEED KIT INSIDE THE SPLICE CHAMBER

INSTALLATION INSTRUCTIONS FOR GEMINI SYSTEM COMPONENTS

INSTALLATION OF SJO FEED KIT FOR STAINLESS STEEL CABLE



3-WIRE SJO WIRING

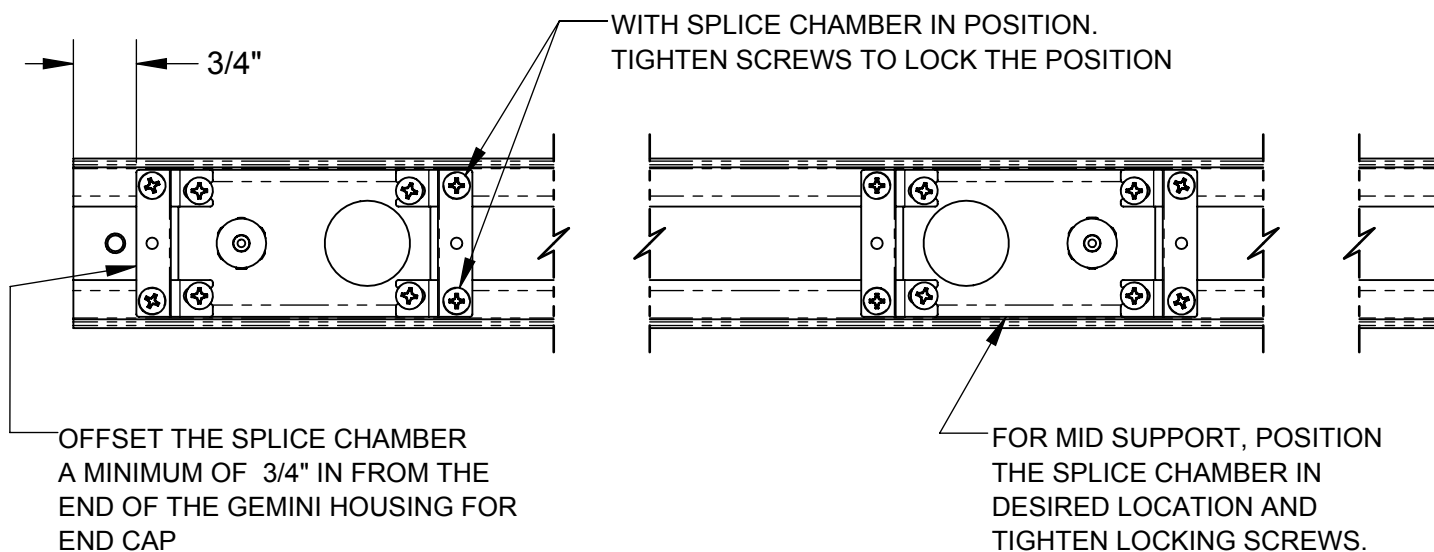
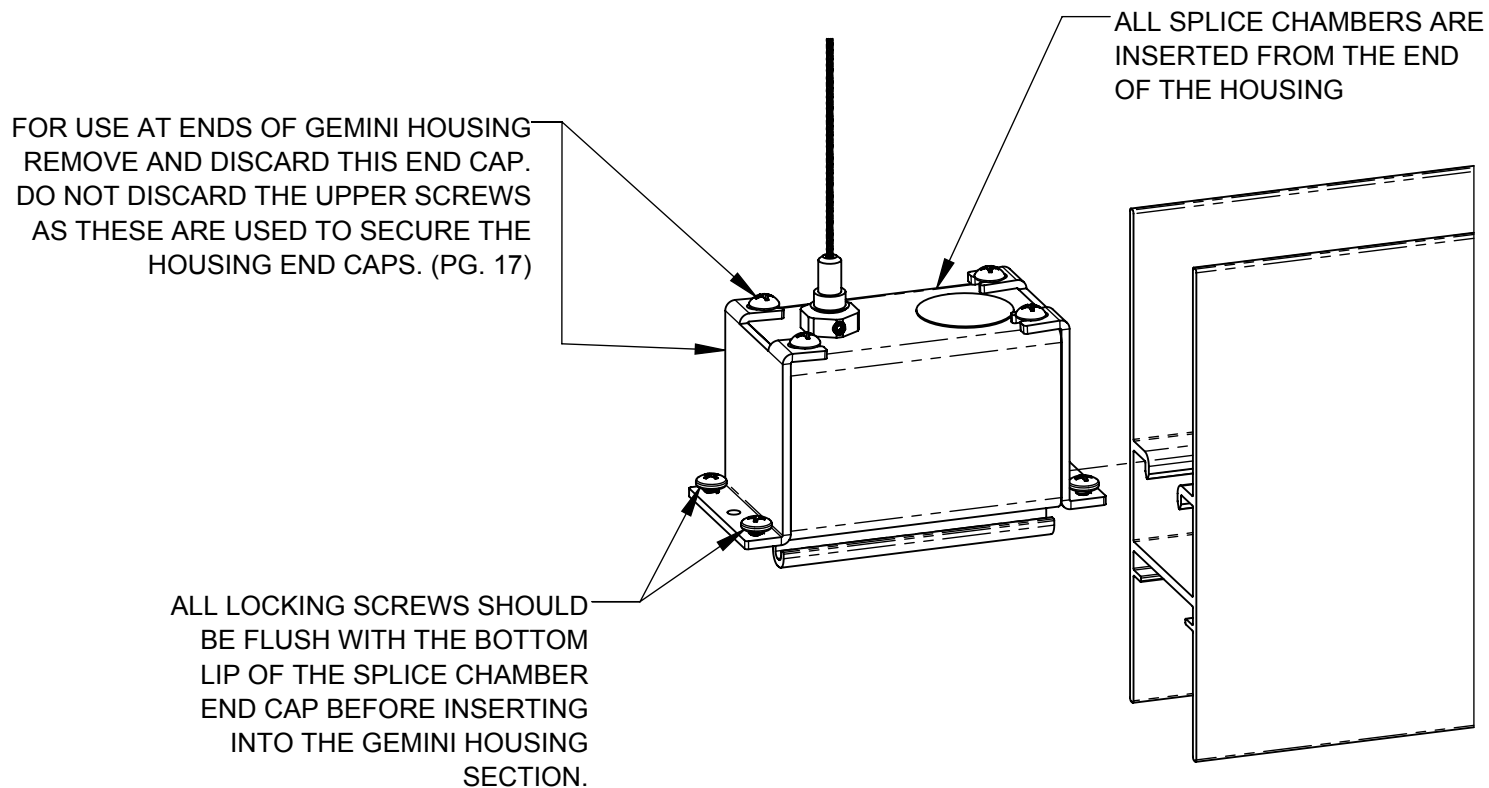
BLACK	LINE
WHITE	NEUTRAL
GREEN	GROUND

5-WIRE SJO WIRING

BLACK	LINE
WHITE	NEUTRAL
GREEN	GROUND
RED	DIMMING
YELLOW OR ORANGE	DIMMING

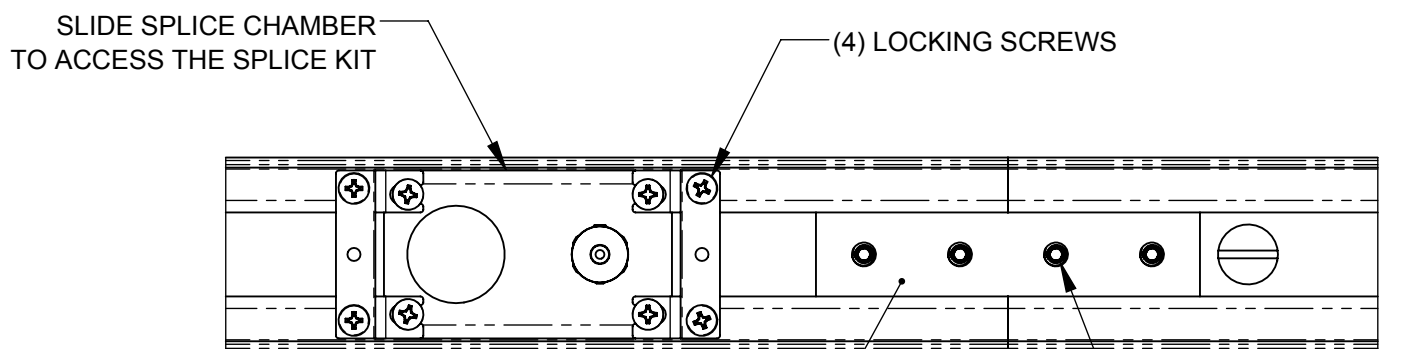
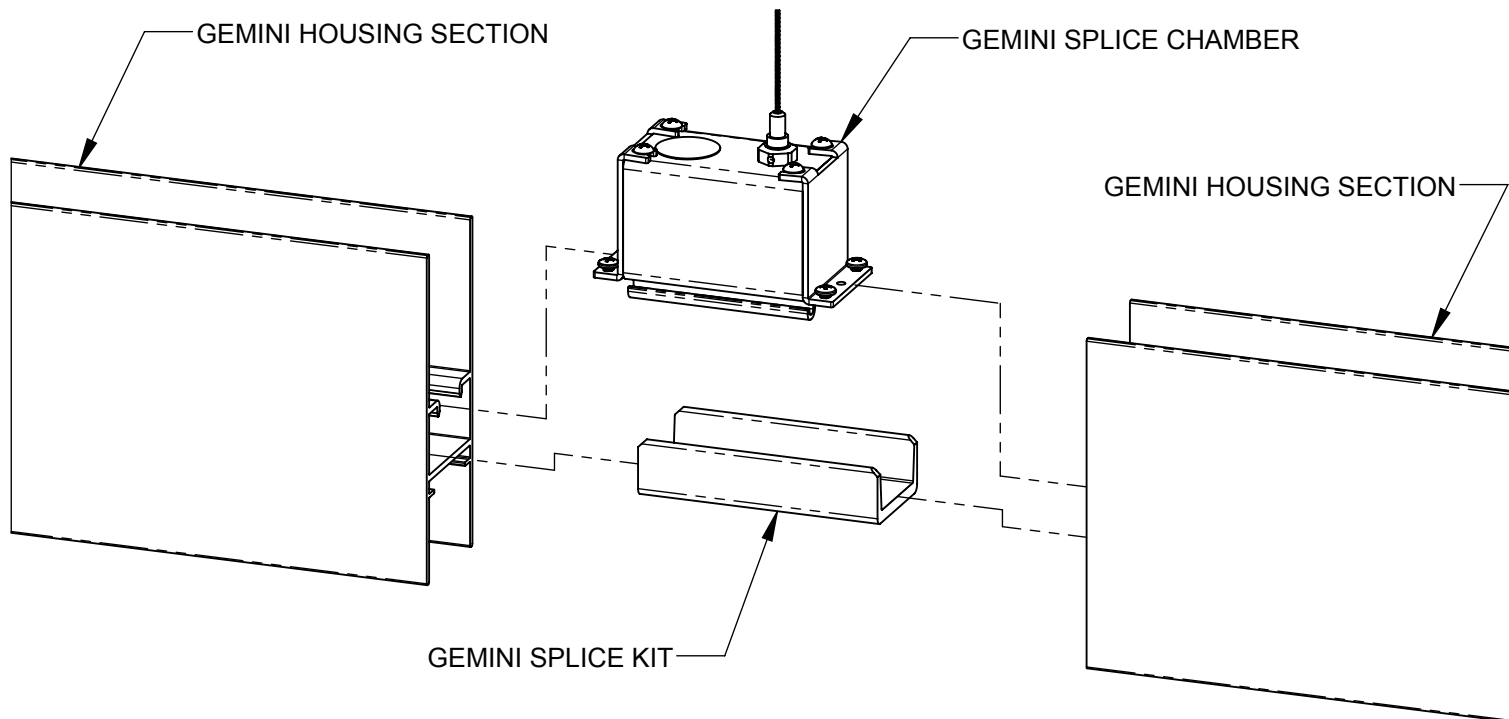
INSTALLATION INSTRUCTIONS FOR GEMINI SYSTEM COMPONENTS

INSTALLATION OF GEMINI SPLICE CHAMBER / WIRING CHAMBER



INSTALLATION INSTRUCTIONS FOR GEMINI SYSTEM COMPONENTS

INSTALLATION OF GEMINI SPLICE KIT

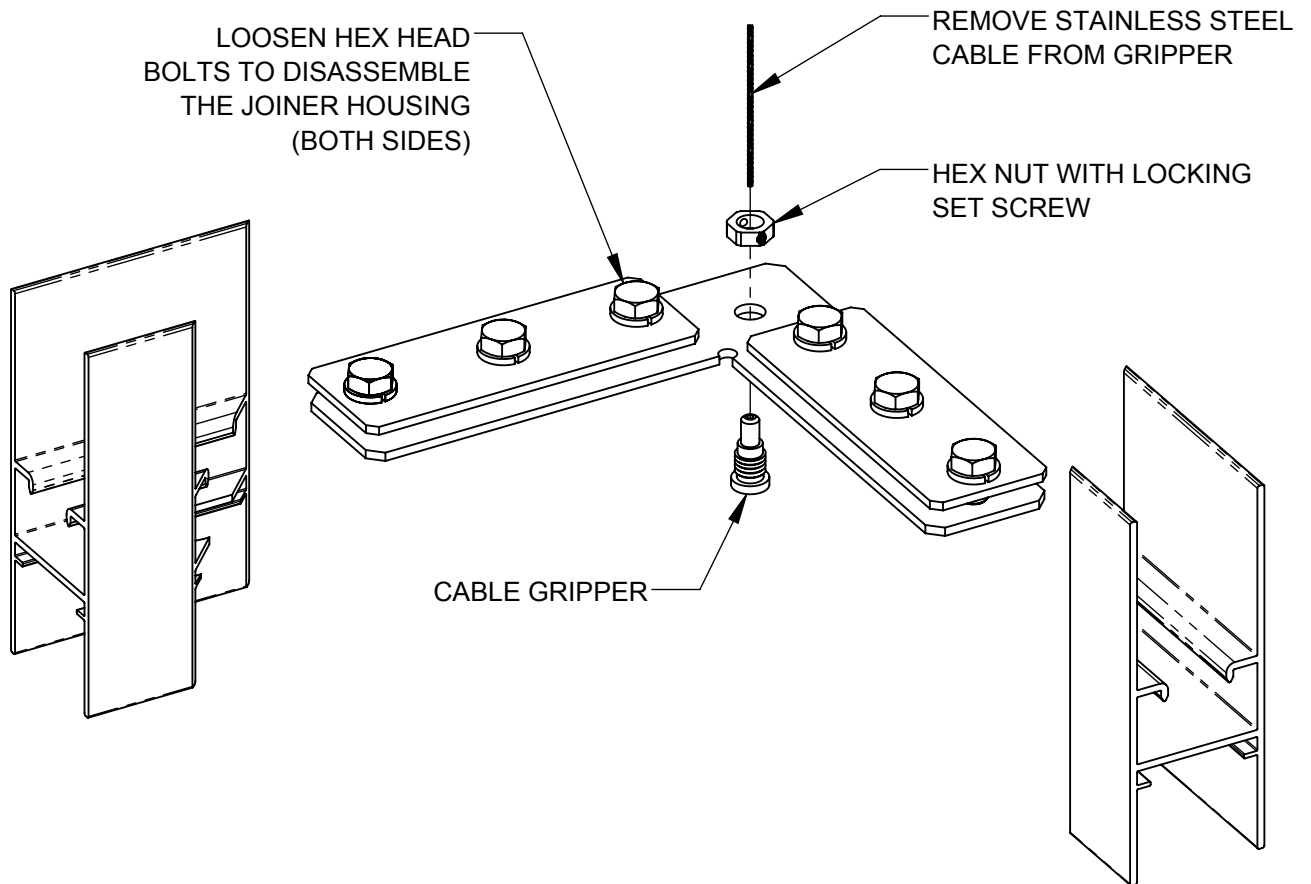


POSITION THE SPLICE KIT SO THAT (2) SET SCREWS ENGAGE EACH HOUSING SECTION AND TIGHTEN.

SLIDE SPLICE CHAMBER OVER SO THAT THE SPLICE CHAMBER IS CENTERED ON BOTH HOUSING SECTIONS AND TIGHTEN THE LOCKING SCREWS.

INSTALLATION INSTRUCTIONS FOR GEMINI SYSTEM COMPONENTS

FIELD ASSEMBLY OF JOINERS WITH STAINLESS STEEL CABLE



NOTES:
1. L-JOINER HOUSING SHOWN FOR REFERENCE. X-JOINER AND T-JOINER HOUSINGS FIELD ASSEMBLY IS SIMILIAR.

INSTALLATION INSTRUCTIONS FOR GEMINI SYSTEM COMPONENTS

FIELD ASSEMBLY OF JOINERS WITH HANG STRAIGHT SUPPORT / FEED STEM

FIELD CUT FEED / SUPPORT HANG STRAIGHT STEM

DETERMINE THE LENGTH OF THE STEM DESIRED.

CUT THE STEM TO THE DESIRED LENGTH USING A SHARP HACKSAW OR A CHOP SAW WITH A NON-FERROUS BLADE.

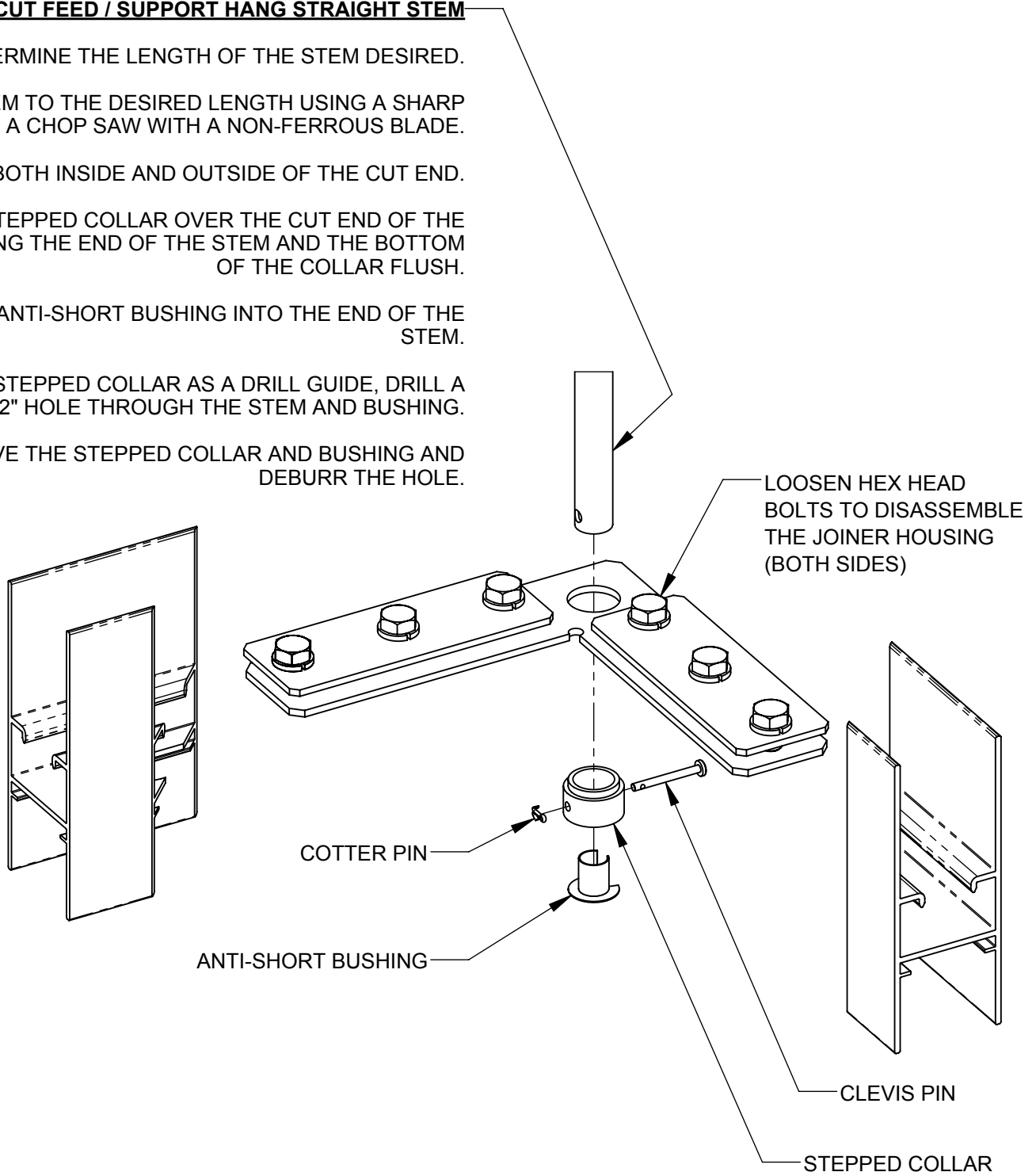
DEBURR BOTH INSIDE AND OUTSIDE OF THE CUT END.

PLACE STEPPED COLLAR OVER THE CUT END OF THE STEM KEEPING THE END OF THE STEM AND THE BOTTOM OF THE COLLAR FLUSH.

INSERT THE ANTI-SHORT BUSHING INTO THE END OF THE STEM.

USING THE STEPPED COLLAR AS A DRILL GUIDE, DRILL A $\varnothing 5/32$ " HOLE THROUGH THE STEM AND BUSHING.

REMOVE THE STEPPED COLLAR AND BUSHING AND DEBURR THE HOLE.

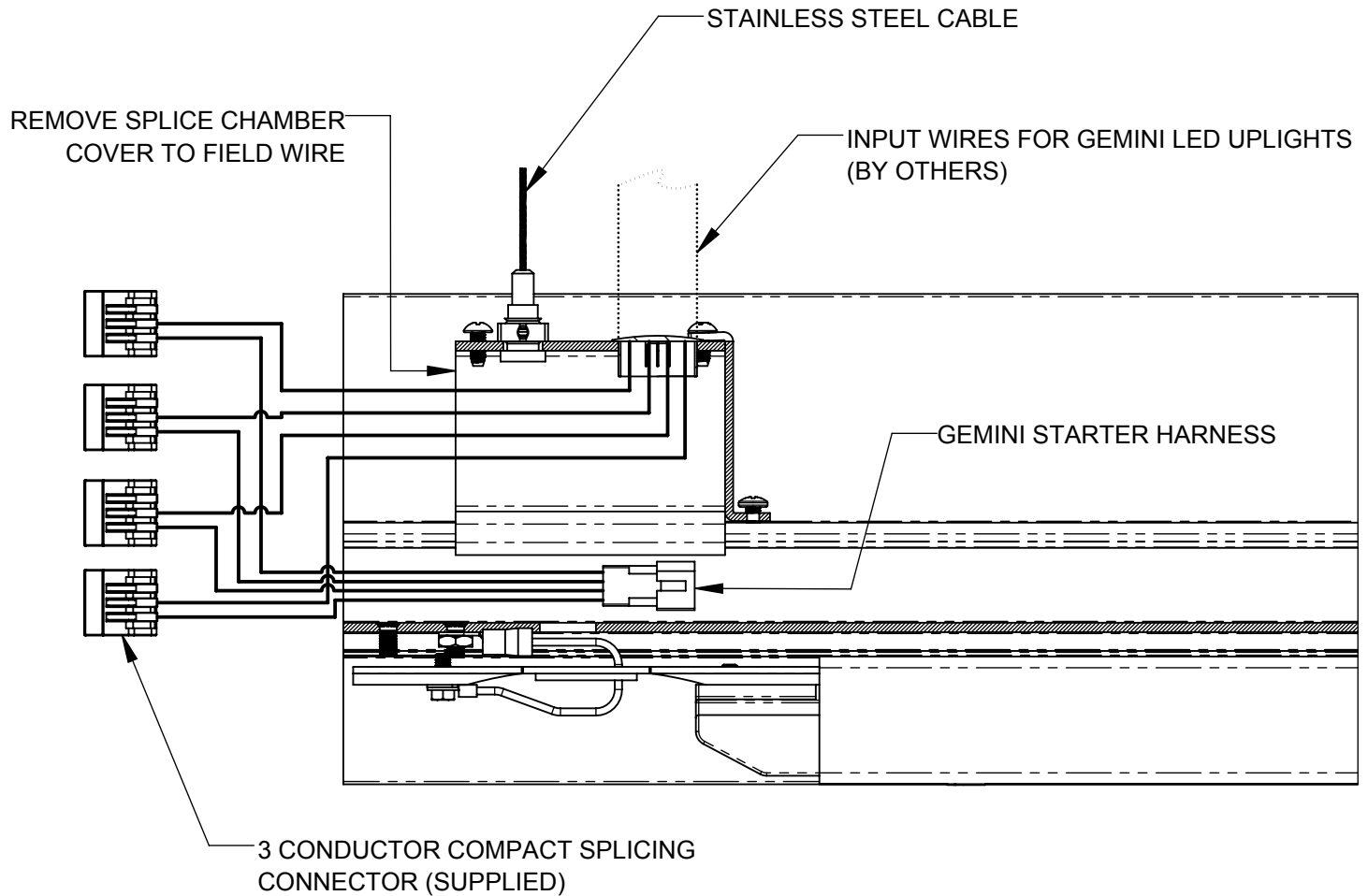


NOTES:

1. L-JOINER HOUSING SHOWN FOR REFERENCE. X-JOINER AND T-JOINER HOUSINGS FIELD ASSEMBLY IS SIMILIAR.
2. A MAXIMUM OF (5) #12 THHN WIRES CAN BE FEED DOWN THE HANG STRAIGHT STEM.

INSTALLATION INSTRUCTIONS FOR GEMINI SYSTEM COMPONENTS

WIRING FOR GEMINI LED UPLIGHT STARTER HARNESS



GEMINI STARTER HARNESS WIRES:

BLACK = LINE
WHITE = NEUTRAL
* PURPLE = DIM (+)
* RED = DIM (-)

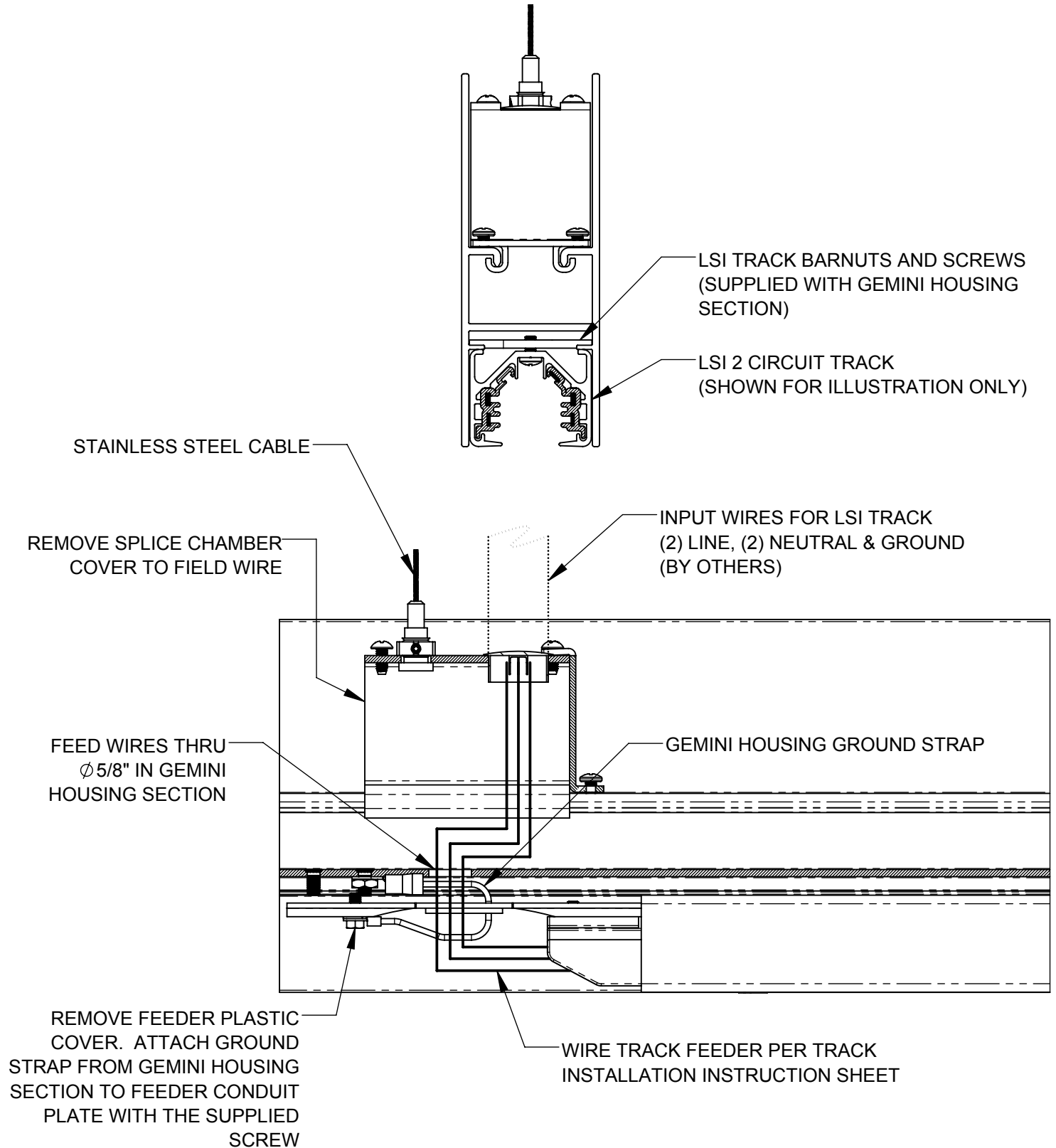
**STANDARD AND LUMENTALK VERSIONS ARE FEED THROUGH WIRES*

NOTES:

1. INSTALL PER NEC AND ALL OTHER LOCAL CODES.

INSTALLATION INSTRUCTIONS FOR GEMINI SYSTEM COMPONENTS

INSTALLATION OF LSI TRACK

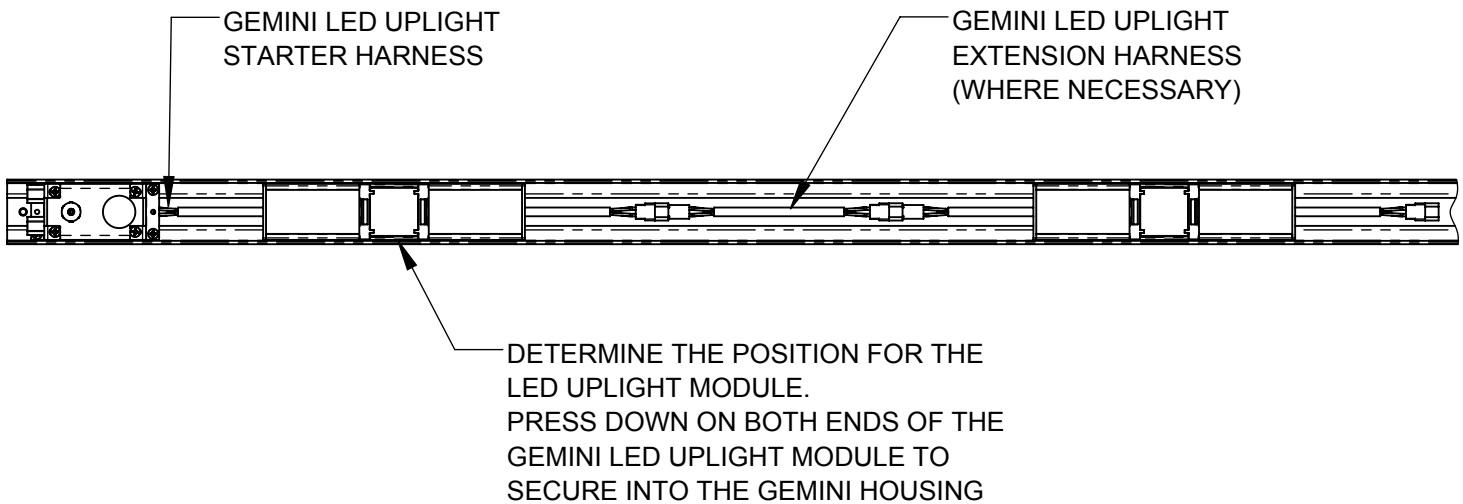
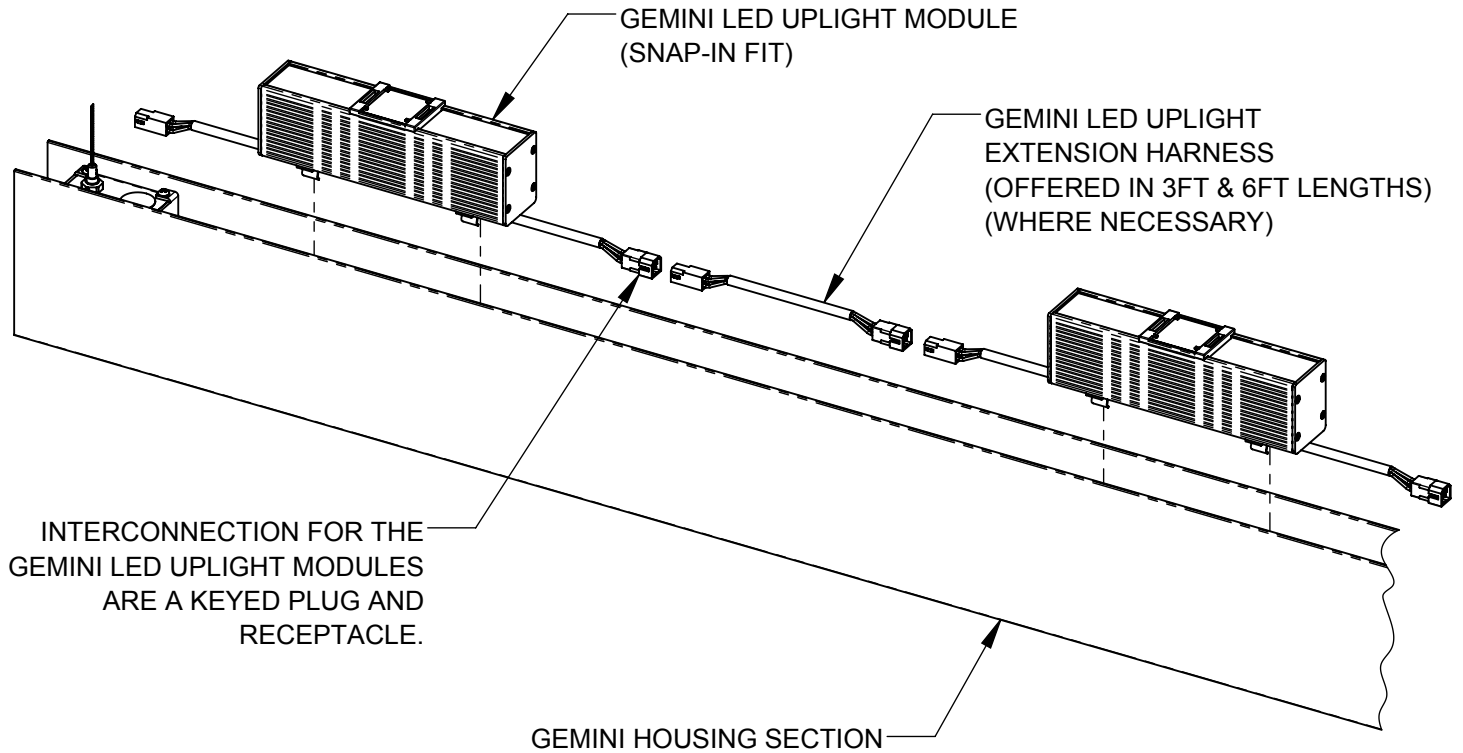


NOTES:

1. INSTALL PER NEC AND ALL OTHER LOCAL CODES.

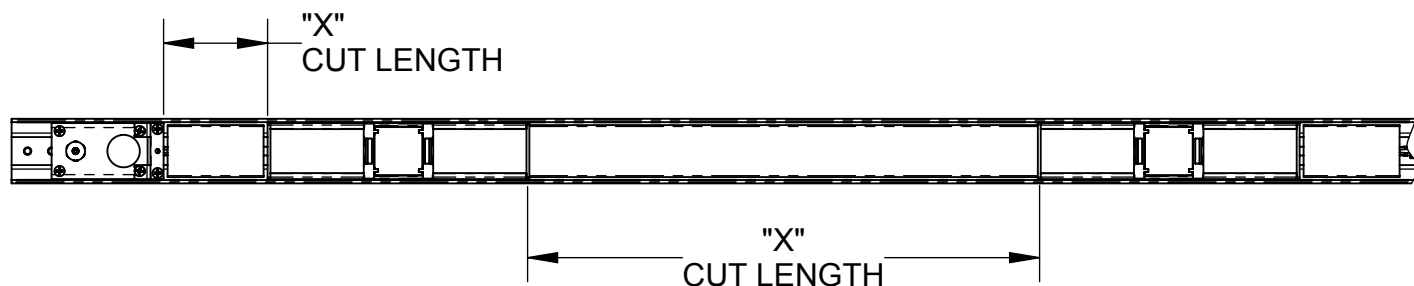
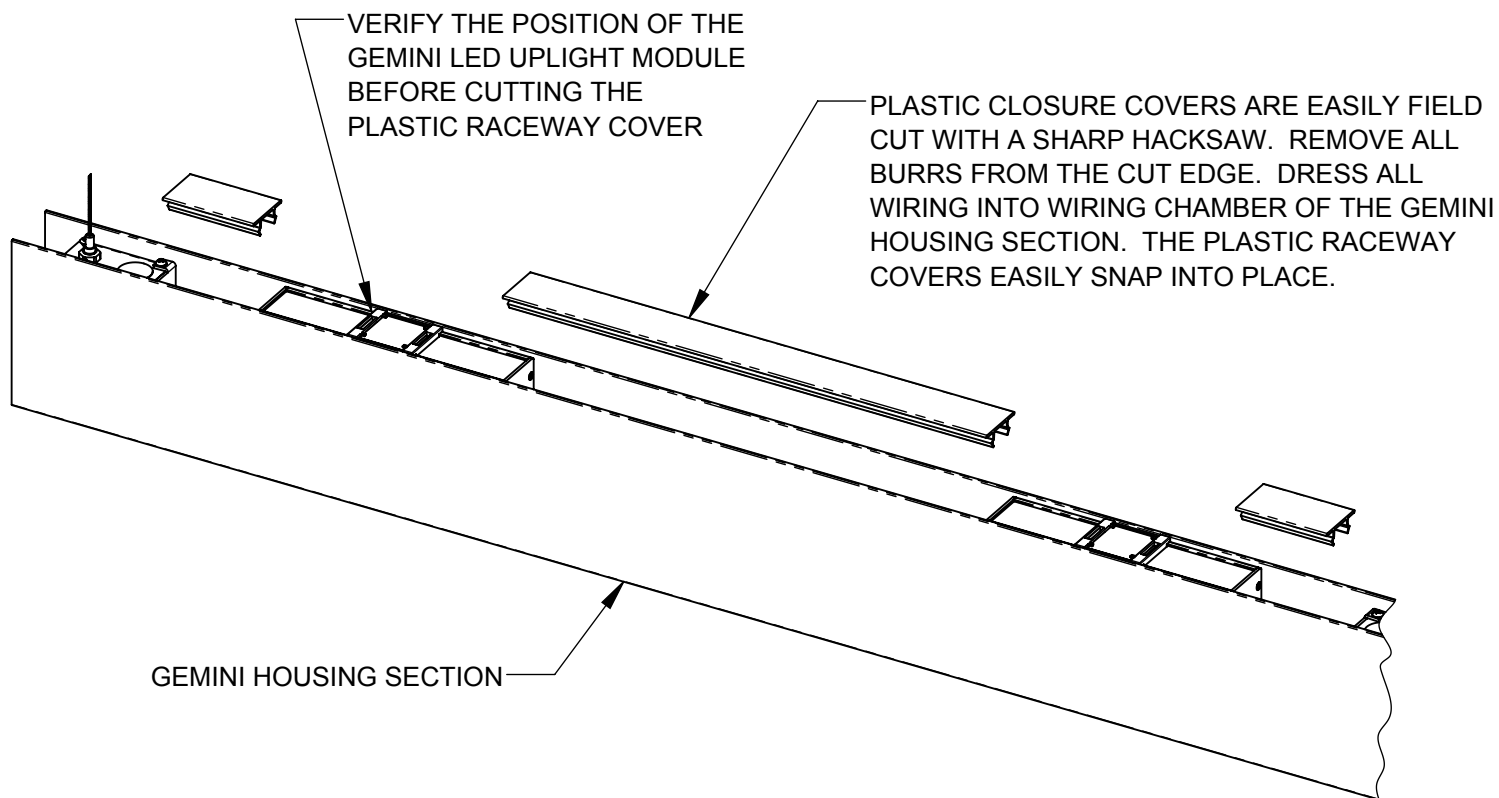
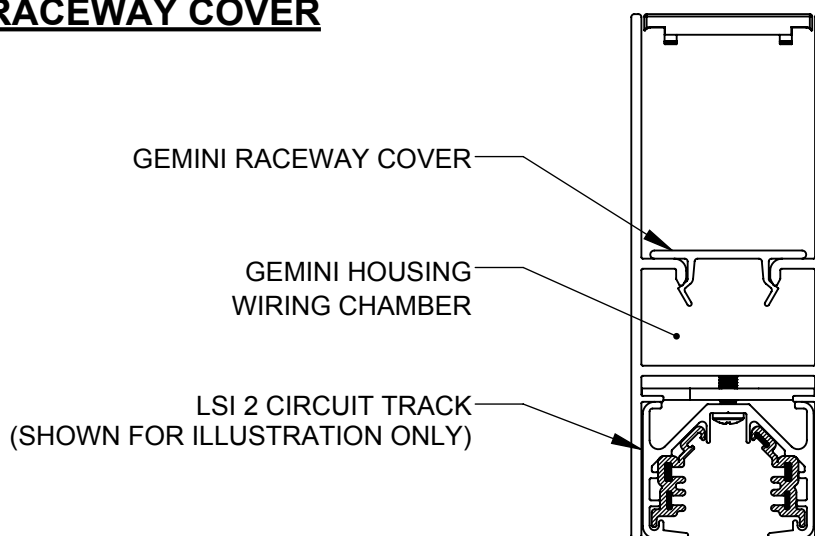
INSTALLATION INSTRUCTIONS FOR GEMINI SYSTEM COMPONENTS

INSTALLATION OF GEMINI LED UPLIGHT



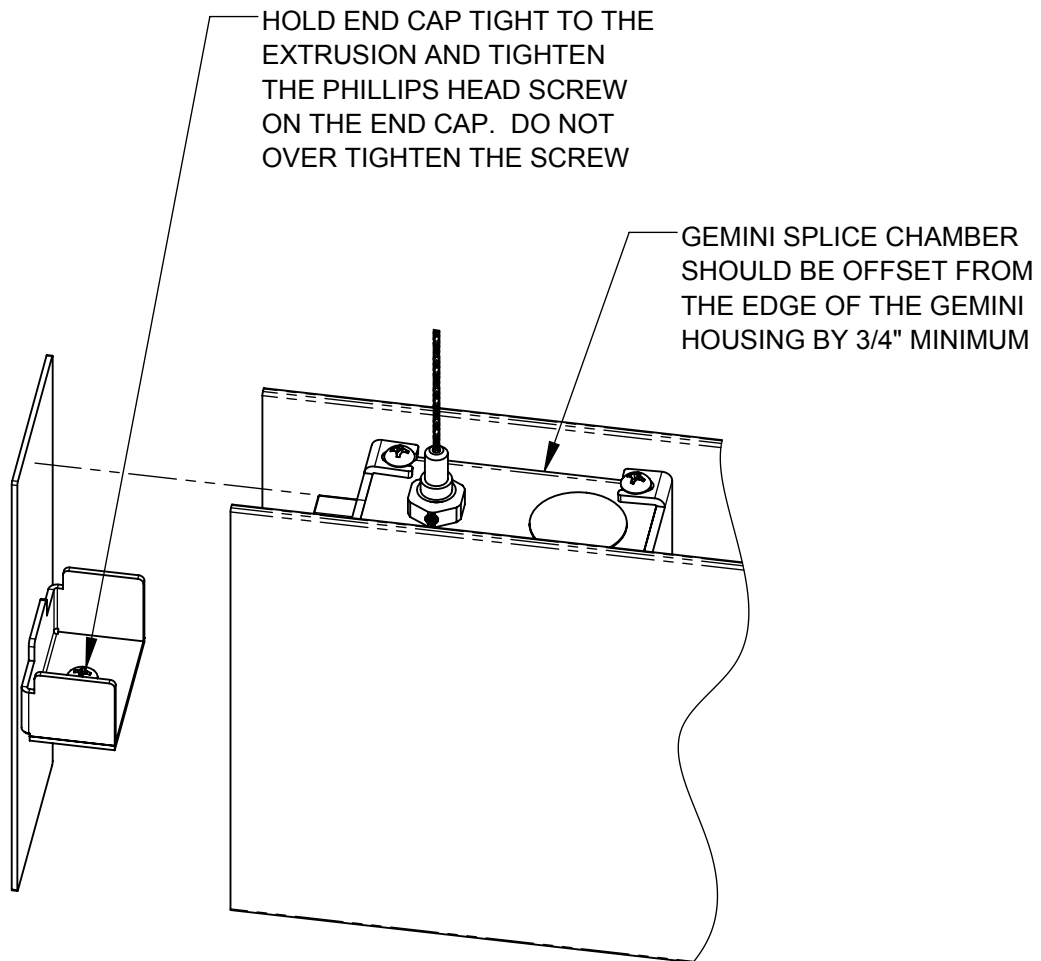
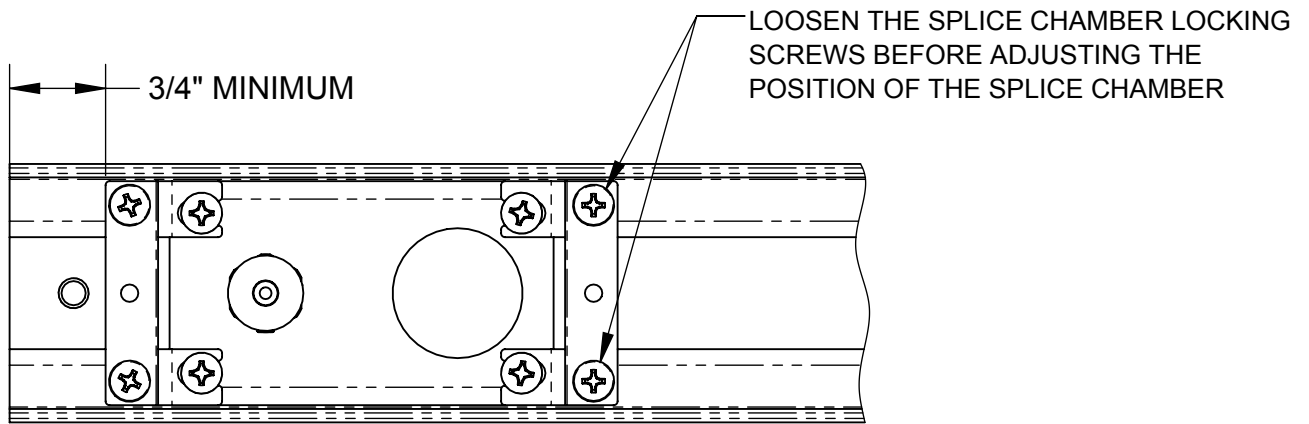
INSTALLATION INSTRUCTIONS FOR GEMINI SYSTEM COMPONENTS

INSTALLATION OF GEMINI RACEWAY COVER



INSTALLATION INSTRUCTIONS FOR GEMINI SYSTEM COMPONENTS

INSTALLATION OF GEMINI HOUSING SECTION END CAP

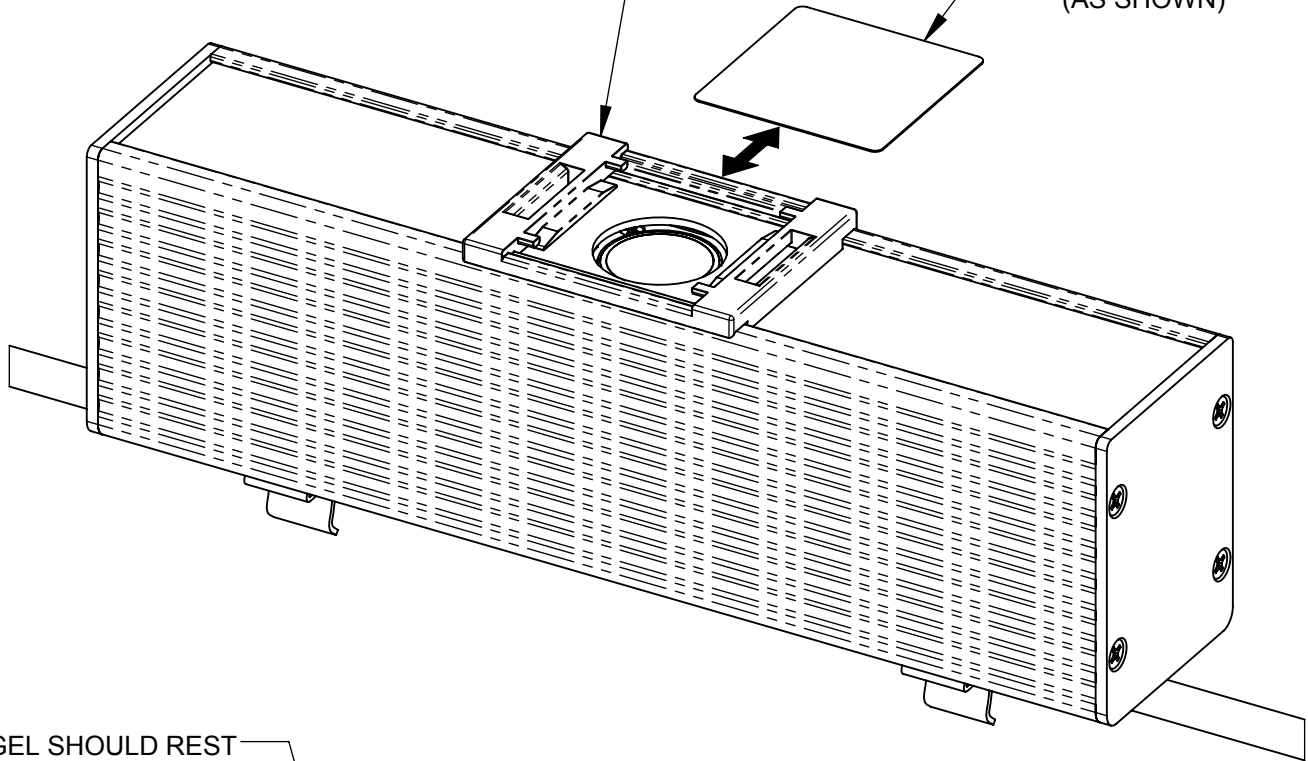


INSTALLATION INSTRUCTIONS FOR GEMINI SYSTEM COMPONENTS

REMOVAL AND INSTALLATION OF GEL ACCESSORIES

GEL ACCESSORY HOLDER IS PERMANENTLY ATTACHED TO THE GEMINI LED UPLIGHT MODULE. TRYING TO REMOVE THE HOLDER WILL DAMAGE THE HOLDER.

GELS CAN BE REMOVED IN EITHER DIRECTION (AS SHOWN)



GEL SHOULD REST ON THIS SURFACE (BOTH SIDES)

GEL SHOULD BE INSTALLED UNDER HOLDDOWN FEATURE (4 PLACES)

