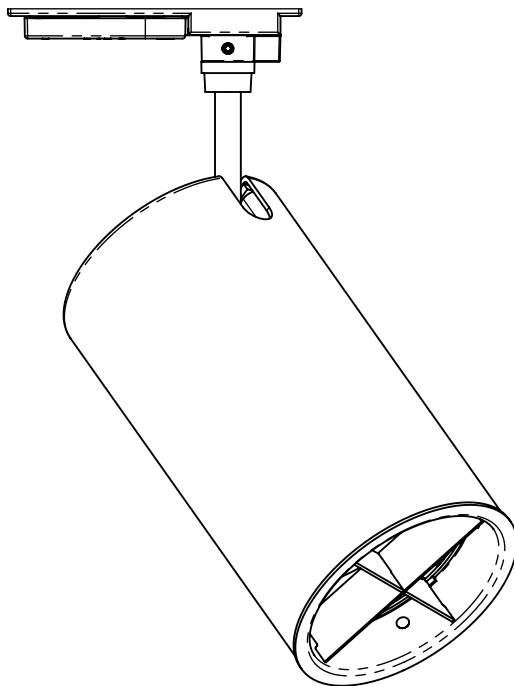


INSTALLATION INSTRUCTIONS FOR SSLCX30 SERIES FIXTURES



TO PREVENT RISK OF SHOCK, TURN OFF ELECTRICITY PRIOR TO INSTALLATION OR MAINTENANCE



TO PREVENT RISK OF FIRE, KEEP AWAY FROM COMBUSTIBLE MATERIALS

IMPORTANT SAFETY INFORMATION

THIS PRODUCT MUST BE INSTALLED IN ACCORDANCE WITH NATIONAL ELECTRICAL CODES AND ALL OTHER LOCAL CODES BY A PERSON FAMILIAR WITH THE CONSTRUCTION AND OPERATION OF THE PRODUCT AND THE HAZARDS INVOLVED.

PRODUCT OVERVIEW:

THE SSLCX30 CYLINDER IS A CLEAN UNDERSTATED FIXTURE DESIGN THAT WILL HARMONIOUSLY BLEND INTO ALL ARCHITECTURAL AREAS. IT FEATURES A SNAP-OUT INTERNAL ACCESSORY CARTRIDGE WHICH ACCEPTS UP TO (2) OPTICAL ACCESSORIES, SIZE "A".

THE SSLCX30 FIXTURE WILL ACCOMODATE ALL PAR30 SHORT NECK LED RETROFIT LAMPS UP TO 25 WATTS.

THE SSLCX30 FIXTURE FEATURES A LOCKING STEM FOR HORIZONTAL AND VERTICAL FOCUSING AND ARE AVAILABLE IN STANDARD LSI FINISHES IN BLACK, WHITE AND SILVER.

THIS PACKAGE DOES NOT INCLUDE A LAMP OR ACCESSORIES. PLEASE CONSULT OUR *PRODUCT CATALOG* OR WEBSITE FOR AVAILABLE LAMP MODELS, FILTERS AND ACCESSORIES.

SAVE THESE INSTRUCTIONS

CONFIDENTIAL-PROPRIETARY INFORMATION - THE INFORMATION HEREIN IS PROTECTED UNDER COPYRIGHT AND IS OF A PROPRIETARY NATURE AND IS SUBMITTED IN CONFIDENCE FOR USE BY OUR CLIENTS ONLY. UNAUTHORIZED REPRODUCTION, PUBLICATION, DISTRIBUTION OR DISSEMINATION IN WHOLE OR PART, IS EXPRESSLY PROHIBITED. THE INFORMATION CONTAINED HEREIN IS AND REMAINS THE PROPERTY OF LIGHTING SERVICES INC. AND RECEIPT OR POSSESSION OF THIS INFORMATION CONFERS NO RIGHT IN OR LICENSE TO DISCLOSE TO OTHERS THE SUBJECT MATTER CONTAINED HEREIN FOR ANY BUT AUTHORIZED PURPOSES. COPYRIGHT LIGHTING SERVICES INC. ALL RIGHTS RESERVED



LIGHTING SERVICES INC 2 HOLT DRIVE STONY POINT, NY 10980-1996 TEL: 845-942-2800 www.LightingServicesInc.com

INSTALLATION INSTRUCTIONS FOR SSLCX30 SERIES FIXTURES

CHANGING OR INSTALLING THE LAMP

BEFORE RE-LAMPING:

TO MAINTAIN THE FIXTURE'S CURRENT ORIENTATION, RE-LAMP THE FIXTURE IN ITS LOCATION. IF THE ORIENTATION DOES CHANGE, REFER TO THE "AIMING THE FIXTURE" SECTION (PAGE 7). REFER TO OUR PRODUCT CATALOG OR WEBSITE FOR LAMP MODEL SUGGESTIONS.

FOLLOW STEPS 1, 2, 4 & 5 IF YOU ARE INSTALLING THE LAMP FOR THE FIRST TIME.

STEP 1:

TURN OFF ALL POWER TO THE FIXTURE INCLUDING THE FIXTURE SWITCH ON THE FITTING, AND LET THE LAMP COOL.

WARNING: LAMP & FIXTURE MAY BE HOT

STEP 2:

REMOVE THE ACCESSORY CARTRIDGE BY GRASPING THE FIXTURE BODY IN ONE HAND AND THE ACCESSORY CARTRIDGE IN THE OTHER. PULL IN OPPOSITE DIRECTIONS WHILE ROCKING THE ACCESSORY CARTRIDGE GENTLY SIDE TO SIDE. (FIG.1)

STEP 3:

REMOVE THE OLD LAMP BY UNSCREWING (COUNTERCLOCKWISE) IT FROM THE LAMP HOLDER (FIG. 2).

NOTE: CONSULT THE LAMP MANUFACTURER'S RECOMMENDATION FOR DISPOSAL OF THE OLD LAMP.

STEP 4:

INSERT THE NEW LAMP BY ALIGNING THE LAMP BASE WITH THE SOCKET AND SCREWING IT IN (CLOCKWISE) UNTIL THE LAMP IS FULLY SEATED (FIG. 2)

STEP 5:

REPLACE THE ACCESSORY CARTRIDGE BY INSERTING IT BACK INTO THE FIXTURE. ALIGN THE ACCESSORY CARTRIDGE RING NOTCH TO THE TAB ON THE INSIDE OF THE FIXTURE AND PUSH THE ACCESSORY CARTRIDGE IN UNTIL IS SEATS FIRMLY AND IS SECURED. (FIG. 1)

STEP 6:

RESTORE POWER.

WARNING: DO NOT LOOK DIRECTLY AT THE LIT LAMP

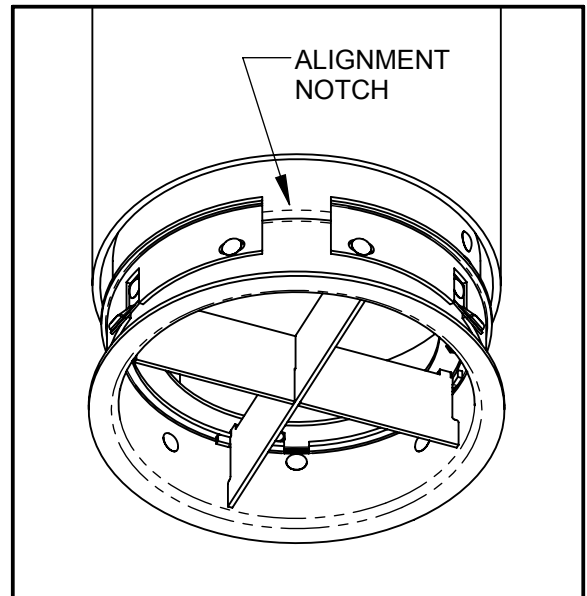


FIG 1. ACCESSORY CARTRIDGE LOOSENED AND NOTCH EXPOSED. PULL OFF TO EXPOSE LAMP OR PUSH INTO FIXTURE BODY TO CLOSE AND SECURE CARTRIDGE. ALIGN TAB WITH SLOT TO INSERT (FIG. 2)

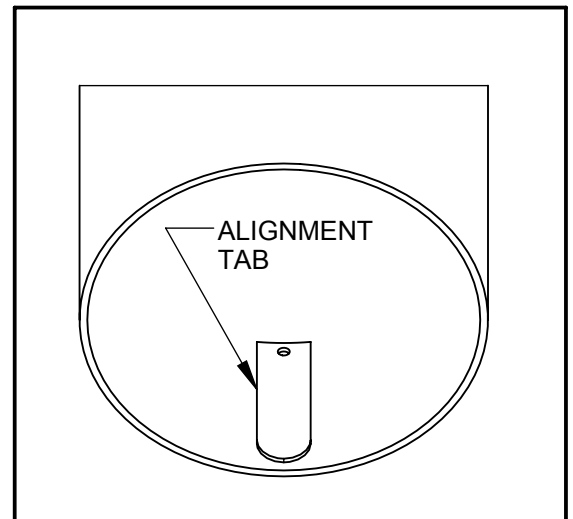


FIG 2. INSIDE OF THE LAMP HOUSING WITH ALIGNMENT TAB SHOWN. REMOVE THE OLD LAMP BY UNSCREWING IT. INSERT THE NEW LAMP BY SCREWING IT INTO THE SOCKET UNTIL IT IS FULLY SEATED.

INSTALLATION INSTRUCTIONS FOR SSLCX30 SERIES FIXTURES

INSTALLING THE FITTING WITH THE -00 FITTING ON A LSI TRACK

THE USE WITH LSI 3, 4, 5, 6, 8 & 9 SERIES TRACK SYSTEMS ONLY.

INSTALLATION INSTRUCTIONS:

THE TRACK SYSTEM MUST ALREADY BE INSTALLED ACCORDING TO CODE REQUIREMENTS. WHEN INSTALLING OR USING THIS TRACK SYSTEM, BASIC SAFETY PRECAUTIONS SHOULD ALWAYS BE FOLLOWED, INCLUDING THE FOLLOWING:

- READ ALL INSTRUCTIONS
- DO NOT INSTALL ANY PART OF A TRACK SYSTEM LESS THAN 5 FEET ABOVE THE FLOOR (8 FEET FOR 277V)
- DO NOT INSTALL ANY FIXTURE CLOSER THAN 6 INCHES FROM ANY CURTAIN OR SIMILAR COMBUSTIBLE MATERIAL.

STEP 1:

FLIP THE FITTING SWITCH OFF AND OPEN THE FITTING HANDLE (FIG. 3)

STEP 2:

ARE YOU USING A ONE-CIRCUIT OR TWO-CIRCUIT SYSTEM?

- IF *ONE-CIRCUIT*, MAKE SURE THE BRASS CONTACTS THAT PROTRUDE FROM THE SIDE OF THE FITTING FACE THE COPPER BUSBARS INSIDE THE TRACK.
- IF *TWO-CIRCUIT*, INSERT THE FITTING IN ONE DIRECTION CONNECTS TO CIRCUIT ONE. REMOVING AND REVERSING THE DIRECTION OF THE FITTING CONNECTS TO CIRCUIT TWO.

STEP 3:

INSERT THE FITTING STRAIGHT UP INTO THE TRACK UNTIL FULLY SEATED (FIG. 4)

STEP 4:

CLOSE THE HANDLE AND FLIP THE FITTING SWITCH ON (FIG. 5)

WARNING: DO NOT LOOK DIRECTLY AT THE LIT LAMP

STEP 5:

TO REMOVE THE FITTING, HOLD THE FIXTURE IN PLACE, FLIP THE FITTING SWITCH OFF, OPEN THE HANDLE, AND PULL THE FITTING STRAIGHT OFF THE TRACK.

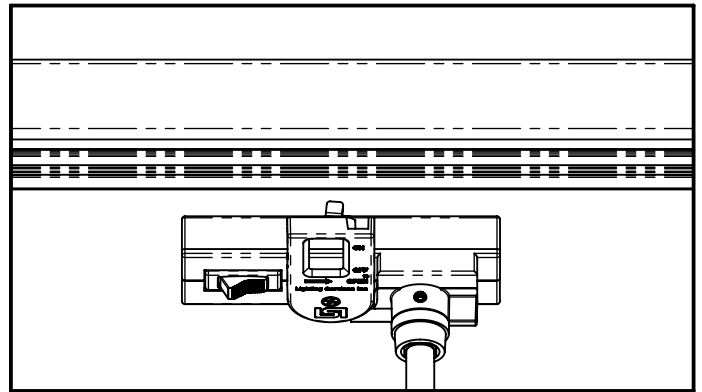


FIG 3. FITTING WITH SWITCH OFF AND HANDLE OPEN

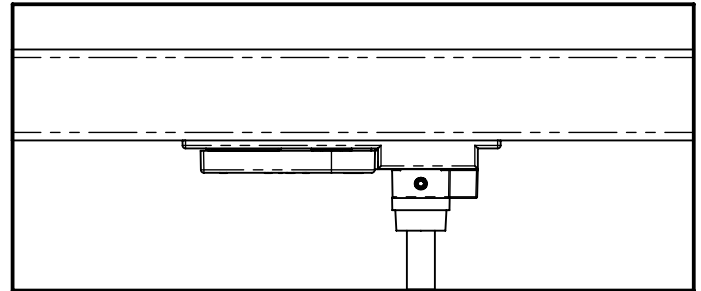


FIG 4. INSERTING FITTING

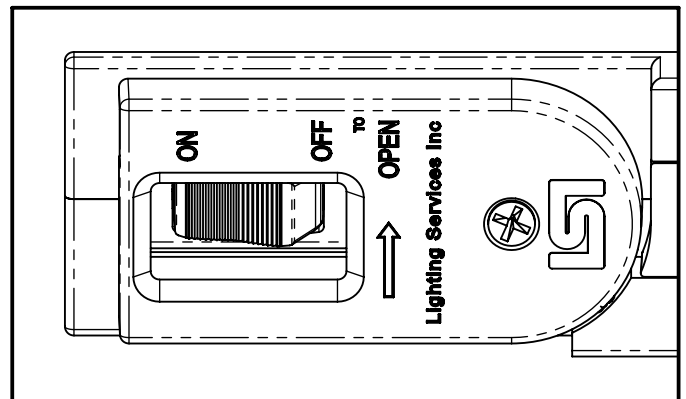


FIG 5. SWITCH ON, FITTING HANDLE CLOSED

INSTALLATION INSTRUCTIONS FOR SSLCX30 SERIES FIXTURES

INSTALLING THE FIXTURE WITH THE -5A CANOPY

BEFORE INSTALLING: CONSULT THE CODE REQUIREMENTS FOR FIXTURE MOUNTING. MOUNT THE FIXTURE TO A CEILING CONSTRUCTED OF NON-COMBUSTIBLE MATERIAL, AWAY FROM ANY FLAMMABLE MATERIALS.

STEP 1:
TURN OFF ALL POWER TO THE FIXTURE MOUNT.

STEP 2:
ATTACHED THE CANOPY CROSSBAR (FIG. 7) TO A CEILING JUNCTION BOX WITH 2 SCREWS (SUPPLIED BY OTHERS)

STEP 3:
FASTEN THE POWER WIRES (FIG. 7) FROM THE JUNCTION BOX TO THE FIXTURE WIRES.

NOTE: CONNECT GREEN TO GROUND, BLACK TO CIRCUIT LINE AND WHITE TO NEUTRAL.

STEP 4:
ATTACH THE CANOPY TO THE CEILING WITH THE 2 SUPPLIED CANOPY MOUNTING SCREWS.

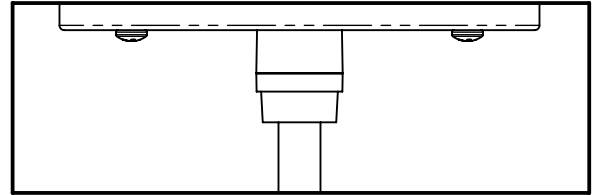


FIG 6. FIXTURE MOUNTED ON THE -5A CANOPY

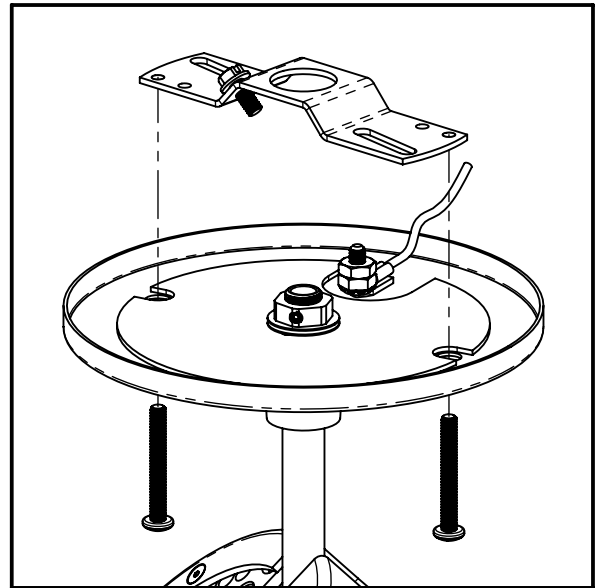


FIG 7. CANOPY CROSSBAR AND CANOPY MOUNTING SCREWS

INSTALLATION INSTRUCTIONS FOR SSLCX30 SERIES FIXTURES

INSTALLING THE FIXTURE WITH THE -2G UNIVERSAL FLANGE FITTING AND A -3G C-CLAMP FITTING

BEFORE INSTALLING: CONSULT THE CODE REQUIREMENTS FOR FIXTURE MOUNTING. MOUNT THE FIXTURE TO A CEILING CONSTRUCTED OF NON-COMBUSTIBLE MATERIAL, AWAY FROM ANY FLAMMABLE MATERIALS.

FOR THE -2G FITTING, FOLLOW STEPS 1, 2, 4 AND 5.
FOR THE -3G FITTING, FOLLOW STEPS 1, 3, 4 AND 5.

STEP 1:
TURN OFF ALL POWER TO THE FIXTURE MOUNT.

STEP 2:
ATTACH THE -2G FITTING (FIG. 8) TO ANY NON-COMBUSTIBLE MATERIAL, USING THE 2-HOLE FLANGED MOUNTING PLATE WITH 2 SCREWS (SUPPLIED BY OTHERS) OR BOLT-UP APPLICATIONS, SUCH AS UNISTRUT OR KINDORF SYSTEMS.

STEP 3:
ATTACH THE -3G FITTING (FIG. 9) TO A NON-COMBUSTIBLE PIPE MEASURING 5/8" TO 2" OUTSIDE DIAMETER, AND THEN SECURE THE FITTING BY TURNING THE C-CLAMP BOLT CLOCKWISE.

STEP 4:
PLUG THE FIXTURE INTO A POWER SOURCE.

IMPORTANT SAFETY INSTRUCTIONS

THIS PRODUCT HAS A POLARIZED PLUG (ONE BLADE IS WIDER THAN THE OTHER) AS A FEATURE TO REDUCE THE RISK OF ELECTRICAL SHOCK. THIS PLUG WILL FIT IN A POLARIZED OUTLET ONLY ONE WAY. IF THE PLUG DOES NOT FIT, CONSULT A QUALIFIED ELECTRICIAN. NEVER USE WITH AN EXTENSION CORD UNLESS THE PLUG CAN BE FULLY INSERTED. DO NOT ALTER THE PLUG.

STEP 5:
TURN ON THE MAIN POWER, AND THEN FLIP THE FITTING SWITCH ON.

NOTE: THE SWITCH IS LOCATED ON THE BASE OF THE FITTING.

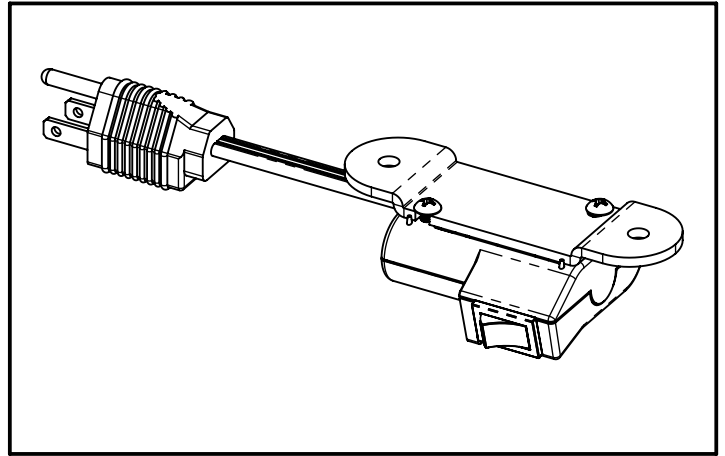


FIG 8. -2G UNIVERSAL FLANGE FITTING

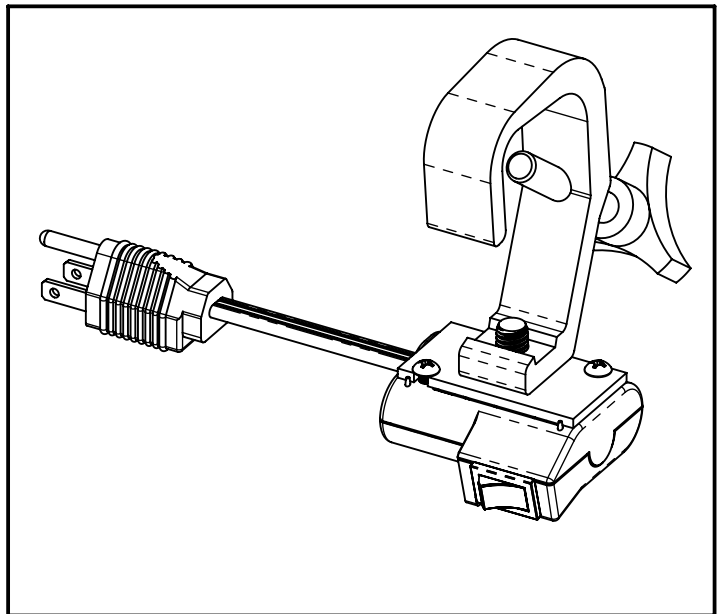


FIG 9. -3G C-CLAMP FITTING

INSTALLATION INSTRUCTIONS FOR SSLCX30 SERIES FIXTURES

INSTALLING ACCESSORY FILTERS

BEFORE INSTALLING: THE SSLCX30 HAS A REMOVABLE ACCESSORY CARTRIDGE THAT HOLDS SIZE-"A" LSI FILTERS AND ACCESSORIES. CONSULT OUR *PRODUCT CATALOG* OR WEBSITE FOR ACCESSORY RECOMMENDATIONS.

STEP 1:
TURN OFF ALL POWER TO THE FIXTURE, INCLUDING THE FIXTURE SWITCH ON THE FITTING, AND LET THE LAMP COOL.

WARNING: LAMP AND FIXTURE MAY BE HOT

STEP 2:
REMOVE THE ACCESSORY CARTRIDGE BY PULLING IT OUT OF THE CYLINDRICAL HOUSING (FIG. 10).

STEP 3:
INSERT ANY DOUBLE COMBINATION OF SIZE-"A" FILTERS AND ACCESSORIES INTO THE ACCESSORY CARTRIDGE CLIPS (FIG. 11)

STEP 4:
REINSERT ACCESSORY CARTRIDGE INTO THE FIXTURE. ALIGN THE CARTRIDGE RING NOTCH TO THE TAB ON THE INSIDE OF THE FIXTURE AND PUSH THE ACCESSORY CARTRIDGE IN UNTIL IT SEATS FIRMLY AND IS SECURED (FIG. 10).

STEP 5:
RESTORE POWER

WARNING: DO NOT LOOK DIRECTLY AT THE LIT LAMP

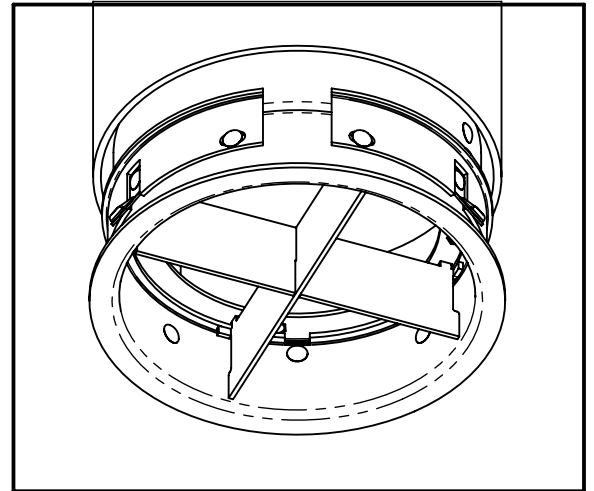


FIG 10. REMOVE ACCESSORY CARTRIDGE BY PULLING IT OUT OF THE CYLINDER HOUSING

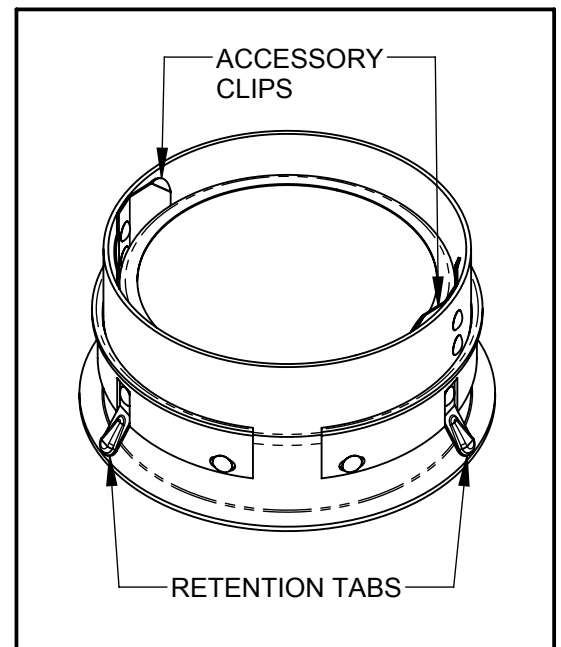


FIG 11. ACCESSORY CLIPS AND RETENTION TABS

INSTALLATION INSTRUCTIONS FOR SSLCX30 SERIES FIXTURES

AIMING THE SELF-LOCKING AND ALLEN KEY WRENCH-LOCKING FIXTURES

BEFORE INSTALLING: FOR SELF-LOCKING FIXTURES, YOU DO NOT NEED AN EXTERNAL LOCKING DEVICE TO SET THE HORIZONTAL AND VERTICAL FOCUS. FOR WRENCH-LOCKING FIXTURES, USE THE SUPPLIED ALLEN KEY (3/32") TO SET AND LOCK THE HORIZONTAL AND VERTICAL FOCUS.

STEP 1:
TURN ON THE FIXTURE

**WARNING: THE FIXTURE MAY BE HOT AND DO NOT
LOOK DIRECTLY AT THE LIT LAMP**

STEP 2:
DO YOU WANT TO AIM THE FIXTURE
HORIZONTALLY OR VERTICALLY?

- *FOR HORIZONTAL AIMING*, HOLD THE LAMP HOUSING AND TURN IT LEFT OR RIGHT UNTIL YOU ACHIEVE YOUR DESIRED ORIENTATION (FIG. 12)
- *FOR VERTICAL AIMING*, HOLD THE LAMP HOUSING AND ANGLE IT UP AND DOWN UNTIL YOU ACHIEVE YOUR DESIRED ORIENTATION (FIG. 13)
- *FOR WRENCH LOCKING*: AFTER AIMING, INSERT THE ALLEN KEY INTO THE HORIZONTAL AND VERTICAL FOCUS LOCK (FIG. 14), AND TURN IT CLOCKWISE TO TIGHTEN.

NOTE: ALLEN KEY IS SUPPLIED FOR TRACK FIXTURES, IT IS STORED IN THE FITTING HANDLE

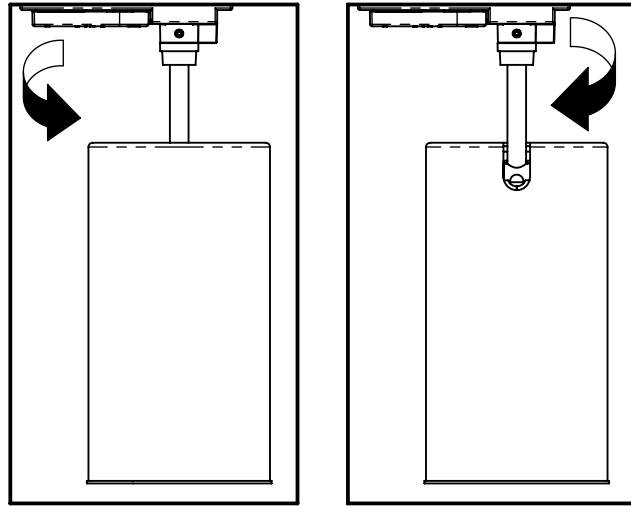


FIG 12. TURN FIXTURE LEFT OR RIGHT TO SET THE HORIZONTAL FOCUS

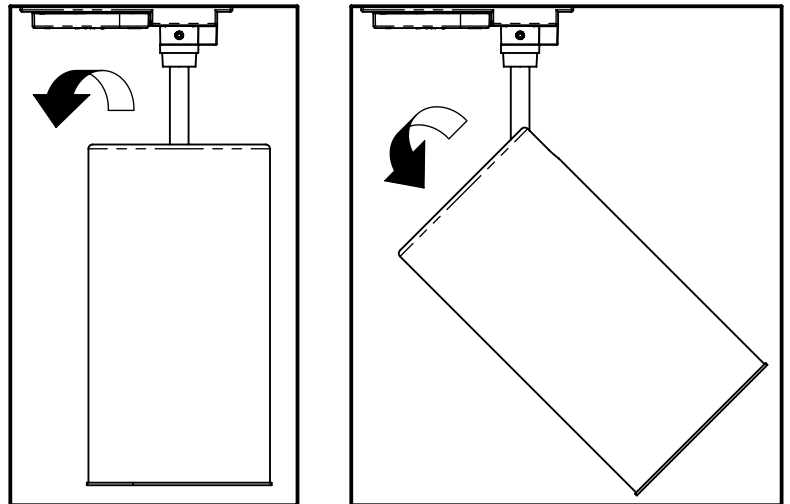


FIG 13. ANGLE FIXTURE UP OR DOWN TO SET VERTICAL FOCUS

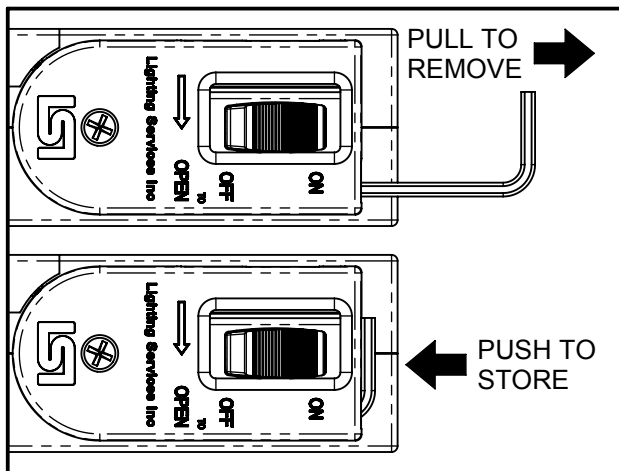


FIG 15. ALLEN KEY STORAGE IN FITTING. PUSH IN TO SECURE THE KEY

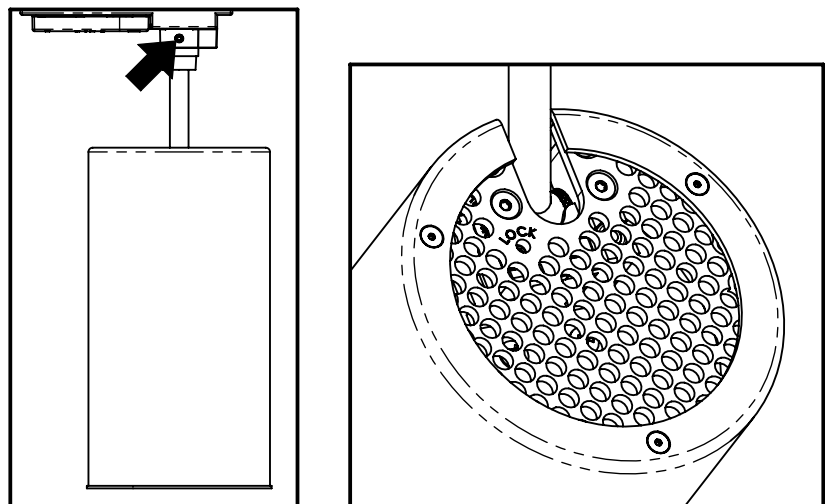


FIG 14. HORIZONTAL FOCUS LOCK (L). VERTICAL FOCUS LOCK (R)