

## LP4 INSTALLATION INSTRUCTIONS

**Important** THIS SHEET CONTAINS IMPORTANT SAFETY INSTRUCTIONS. SAVE THESE INSTRUCTIONS.

---

**Warning** This product must be installed in accordance with National Electrical Codes and all other local codes by a person familiar with the construction and operation of the product and the hazards involved.

To prevent electrical shock, turn off the power during installation or maintenance.

To reduce the risk of fire, keep away from combustible materials.

---

**Purpose of This Sheet** The purpose of this sheet is to provide step-by-step instructions to help you:

- Install the fixture with any of the following: -00 fitting on an LSI track, -5A canopy, -2G universal flange fitting, or -3G C-Clamp fitting
  - Install external accessory cartridge
  - Install hood and barn door and external accessory cartridge
  - Replace LED module
  - Lens cleaning
- 

### Product Overview

The LP4 SuperSPOT light is a high power LED spotlight designed specifically for long throw, tight beam applications. The LP4 is more efficient alternatives to aging low voltage halogen sources, such as PAR56 or PAR64.

See the fixture label for voltage and wattage input.

Please consult our *Product Catalog* or web site for available accessories.

*LP4 SuperSPOT Light*



### Dimming

- The LP4 is fully dimmable using compatible low-voltage electronic dimmers. Other dimming options are available. Please consult factory.
  - Please review dimming application guide for more detailed information and a list of compatible dimmers.
-

### Installing the Fixture with the -00 Fitting on an LSI Track

#### FOR USE WITH LSI 3, 4, 5, 6, 8, AND 9 SERIES TRACK

**INSTALLATION INSTRUCTIONS:** The track must already be installed according to code requirements. When installing or using this track, basic safety precautions should always be followed, including the following:

- Read all instructions.
- Do not install any part of a track less than 5 feet above the floor (8 feet for 277V).
- Do not install any fixture closer than 6 inches from any curtain or similar combustible material.

STEP	ACTION
1	Flip the fitting switch off and open the fitting handle ( <b>Fig. 1</b> ).
2	Are you using a one-circuit or two-circuit system? <ul style="list-style-type: none"> <li>▪ <i>If one-circuit</i>, make sure the brass contacts that protrude from the side of the fitting face the copper busbars inside the track.</li> <li>▪ <i>If two-circuit</i>, inserting the fitting in one direction connects to circuit one. Removing and reversing the direction of the fitting connects to circuit two.</li> </ul>
3	Insert the fitting straight up into the track until fully seated ( <b>Fig. 2</b> ).
4	Close the handle and flip the fitting switch on ( <b>Fig 3</b> ). <b>WARNING: Do not look directly at lit LED.</b>
5	To remove the fitting, hold the fixture in place, flip the fitting switch off, open the handle, and pull the fitting straight off the track.



**Figure 1. Fitting with switch OFF and handle OPEN.**



**Figure 2. Inserted fitting**



**Figure 3. Switch ON, fitting handle closed**

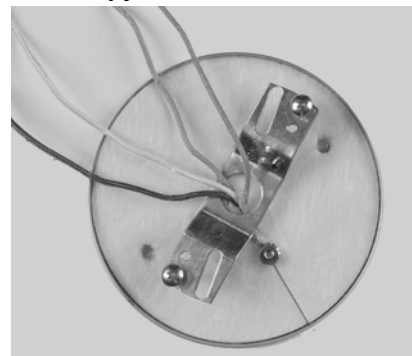
### Installing the Fixture with a 5A Canopy

**Before Installing:** Consult the code requirements for fixture mounting. Mount the fixture to a ceiling constructed of non-combustible material, away from any flammable materials.

STEP	ACTION
1	Turn off all power to the fixture mount.
2	Unscrew the 2 supplied canopy mounting screws and remove the crossbar from the canopy ( <b>Fig. 4</b> ).
3	Attach the canopy crossbar ( <b>Fig. 5</b> ) to a ceiling junction box with 2 screws (supplied by others).
4	Fasten the power wires ( <b>Fig. 5</b> ) from the junction box to the fixture wires. <i>Note:</i> Connect green to ground, black to the circuit line, and white to neutral.
5	Attach the canopy to the ceiling with the 2 supplied canopy mounting screws.



**Figure 4. Fixture mounted on the 5A Canopy**



**Figure 5. Ground and power wires with canopy crossbar**

### Installing the Fixture with a -2G Universal Flange Fitting and a -3G C-Clamp Fitting

**Before Installing:** Consult the code requirements for fixture mounting, and check the distance-from-wall label inside the fixture. Mount away from any flammable materials.

**For the -2G fitting, follow steps 1, 2, 4, and 5.**  
**For the -3G fitting, follow steps 1, 3, 4, and 5.**

STEP	ACTION
1	Turn off all power to the fixture.
2	Attach the -2G fitting ( <b>Fig. 6</b> ) to any non-combustible material, using the 2-hole flanged mounting plate with 2 screws (supplied by others) or bolt-up applications, such as Unistrut or Kindorf systems.
3	Attach the -3G fitting ( <b>Fig. 7</b> ) to a non-combustible pipe measuring 5/8" to 2" in outside diameter, and then secure the fitting by turning the C-clamp bolt clockwise.
4	Plug the fixture into a power source. <b>IMPORTANT SAFETY INSTRUCTIONS</b> This product has a polarized plug (one blade is wider than the other) as a feature to reduce the risk of electric shock. This plug will fit in a polarized outlet only one way. If the plug does not fit fully in the outlet, reverse the plug. If it still does not fit, contact a qualified electrician. Never use with an extension cord unless the plug can be fully inserted. Do not alter the plug.
5	Turn on the main power, and then flip the fitting switch on. Note: The switch is located on the base of fitting.



Figure 6. -2G universal flange fitting



Figure 7. -3G C-clamp fitting

### Installing or Removing Reflector

Reflector of different beam angle are interchangeable. Reflectors are retained by four spring clips and are positioned by two pins near the LED.

STEP	ACTION
1	Turn off power to the fixture, including the fixture switch on the fitting, and let the LED cool. It is recommended to remove the fixture from its mounting for easier installation. <b>WARNING: LED and fixture may be hot.</b>
2	To remove reflector, release the two spring clips ( <b>Fig. 8</b> ) from reflector by pushing clips towards outside of fixture and pulling reflector up. Repeat with the opposite two spring clips ( <b>Fig 9</b> ).
3	To install reflector, place the rim of the reflector into two of spring clips ( <b>Fig. 8</b> ). Pivot reflector into the alignment pins near the LED ( <b>Fig. 10</b> ). Proceed to engage the remaining two spring clips ( <b>Fig. 9</b> ).
4	Reinstall fixture and restore power. <b>WARNING: Do not look directly at the lit LED.</b>

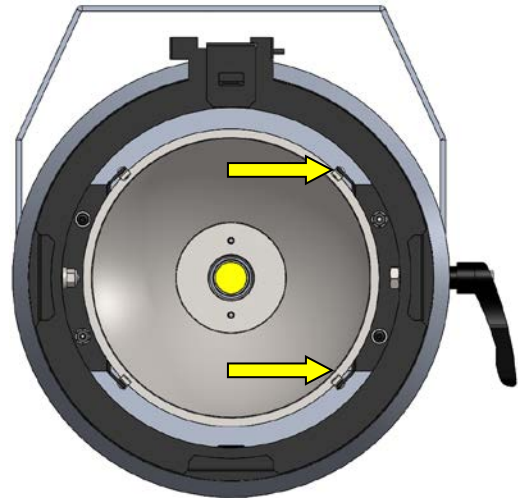


Figure 8. Reflector spring clip

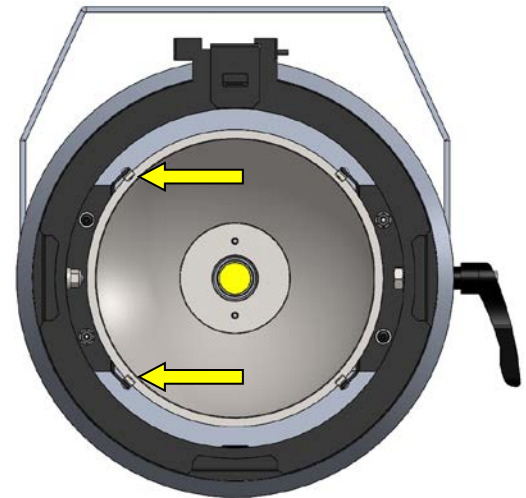


Figure 9. Reflector spring clip

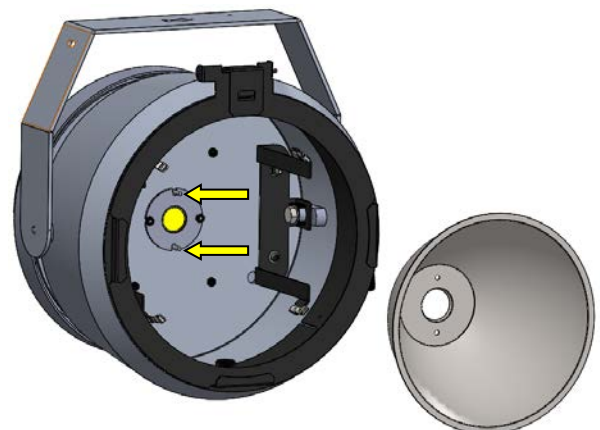


Figure 10. Reflector alignment pins

### Installing or Removing Accessory Holder

The external accessory holder is installed on the front of the fixture and is secured with a thumb screw and mounting tabs. Removal is accomplished by loosening thumb screw and pulling out the accessory holder.

STEP	ACTION
1	Turn off power to the fixture, including the fixture switch on the fitting, and let the LED cool. It is recommended to remove the fixture from its mounting for easier installation. <b>WARNING: LED and fixture may be hot.</b>
2	Insert accessory holder into front of fixture. Angle accessory toward fixture when inserting to allow black tabs on accessory to clear the opening of the fixture. Once tabs clear the opening, rotate accessory toward fixture to seat it, making sure accessory flange sits flush with front edge of fixture housing ( <b>Fig. 11 &amp; 12</b> ). Rotate accessory holder to achieve desired orientation.
3	Locate the locking knob on the inside of accessory holder (opposite from the tabs). Turn knob clockwise until tight. ( <b>Fig. 13</b> ). Test that accessory is fully seated and does not move. If not fully seated, loosen locking knob fully, remove accessory and reinstall.
4	Reinstall fixture and restore power. <b>WARNING: Do not look directly at the lit LED.</b>
5	To remove accessory holder, repeat step 1. Locate the locking knob and turn counterclockwise, until fully loosened ( <b>Fig. 13</b> ). Rotate the locking knob side of the accessory outward from the fixture, and lift out from the fixture. If the locking knob does not clear the fixture opening, loosen the locking knob further.



Figure 11. Insert accessory

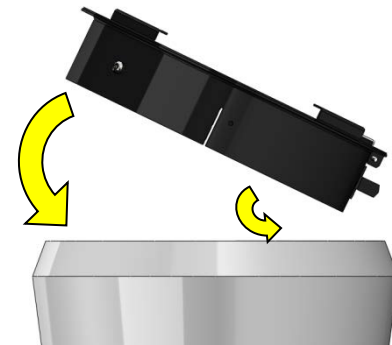


Figure 12. Insert accessory at an angle to allow black tabs to clear the fixture opening, and rotate into place

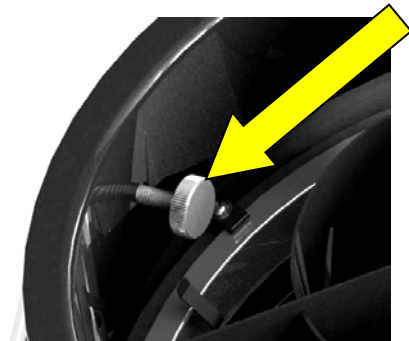


Figure 13. Rotate knob clockwise to lock accessory into place



### Installing or Removing Barn Door, Hood, or Gel frame

The barn door and hood accessories are installed in the external accessory holder using a spring loaded clip. Removal is accomplished by releasing the spring loaded clip and sliding out the accessory.

STEP	ACTION
1	Turn off power to the fixture, including the fixture switch on the fitting, and let the LED cool. It is recommended to remove the fixture from its mounting for easier installation. <b>WARNING: LED and fixture may be hot.</b>
2	Slide retaining clip to the left and rotate up away from the fixture ( <b>Fig. 14</b> ).
3	Slide accessory into holder ( <b>Fig. 15</b> ).
4	Slide retaining clip to the left and rotate down towards the fixture ( <b>Fig. 16</b> ).
5	Accessories have a mounting hole for a safety cable. Install the safety cable through the hole in the accessory and around a major supporting structure then attach the two loops in the cable together using the supplied carabineer clip.
6	Reinstall fixture and restore power. <b>WARNING: Do not look directly at the lit LED.</b>
7	To remove accessory, repeat step 1. Remove safety cable. Slide retaining clip to the left and rotate up ( <b>Fig. 14</b> ). Remove accessory from holder ( <b>Fig. 15</b> ).

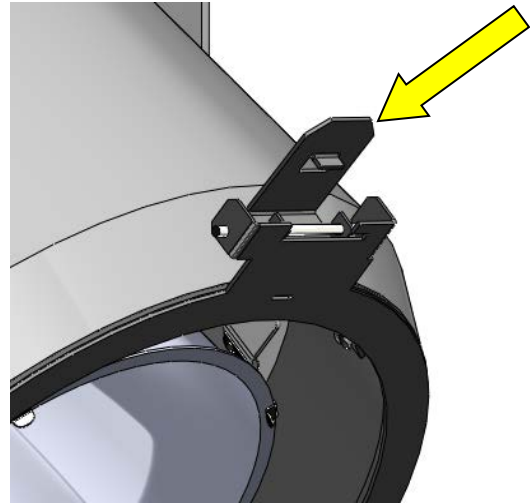


Figure 14. Release retaining clip



Figure 15. Slide accessory into holder

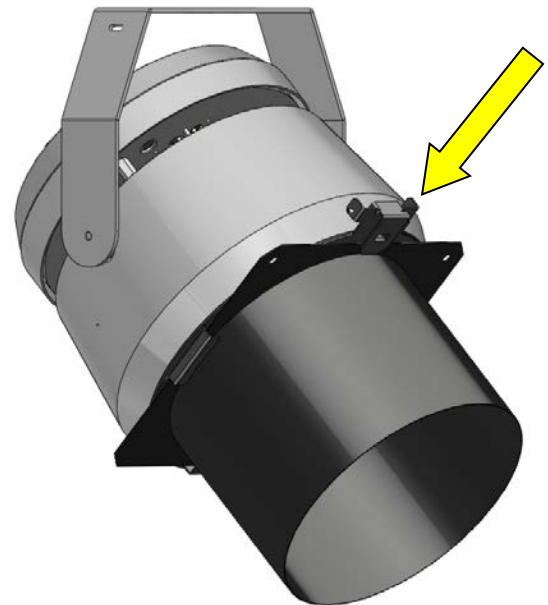


Figure 16. Lock retaining clip

### Aiming and Locking Fixture

STEP	ACTION
1	<p>Turn off all power to the fixture, including the fixture switch on the fitting, and let the LED cool.</p> <p><b>WARNING: LED and fixture may be hot.</b></p>
2	<p>Do you want to aim the fixture horizontally or vertically?</p> <ul style="list-style-type: none"> <li>For horizontal aiming, hold the yoke on either side of the fixture and turn it left or right until you achieve your desired orientation. Once desired position is achieved, lock the fixture in place by rotating the handle nut at top of fixture yoke. Rotate clockwise until fixture is locked (Fig. 17).</li> </ul> <p><i>NOTE: -2A and -3A fittings are mounted directly to the yoke by a 1/2" hex bolt, therefore a tool is required to horizontally lock the fixture.</i></p> <ul style="list-style-type: none"> <li>For vertical aiming, hold the yoke and main housing. Angle the housing up and down until you achieve your desired orientation. Once desired position is achieved, lock the fixture in place by turning the locking ratcheting handle clockwise until fixture is locked (Fig. 18).</li> </ul>
3	<p>Restore power.</p> <p><b>WARNING: Do not look directly at the lit LED.</b></p>

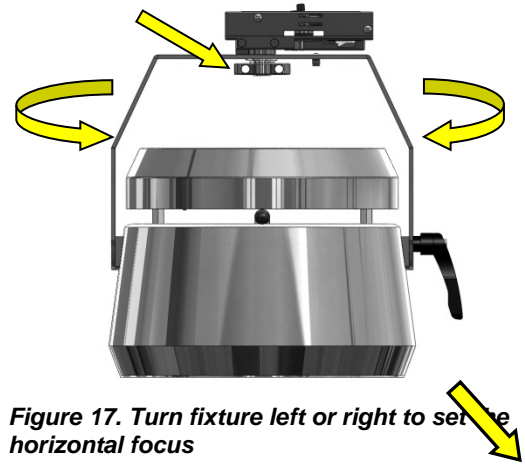


Figure 17. Turn fixture left or right to set the horizontal focus

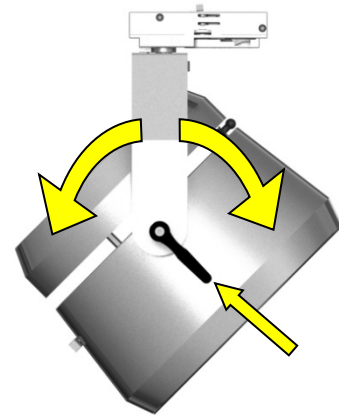


Figure 18. Angle fixture up or down to set the vertical focus

**OPTIONAL DMX CONTROL** The LP4 is available with DMX/RDM control via 5 pin XLR connectors. The controller can be set to two different modes, DMX and Standalone.

#### DMX MODE

- The fixture is controlled by the data it receives on the 5 pin XLR connectors located on the side of the yoke. (**Fig. 19 & 20**). When DMX signal is lost/not present light output will default to 100%.

**NOTE:** Two DMX universes can be passed thru the XLR connectors but the fixture will only listen to data on pins 2/3 (**Fig. 21**).

PIN	Description
1	Common (shield)
2	Data -
3	Data +
4	Pass thru
5	Pass thru

- 1 DMX channel is used for 8 bit dimming. The microprocessor controller converts data to 10 bit dimming by a smoothing algorithm. Dim curve is linear.
- DMX address is set by a 3 digit push button. Numbers 001-512 will set the DMX address (**Fig. 22**).

**NOTE:** Top button decreases the value of the digit in that column by one. Bottom button increases the value of the digit in that column by one.

- If RDM (Remote Device Management) is needed set number to 000 (**Fig. 22**). Use a DMX/RDM interface (by others) to configure the fixture's DMX address.

#### STANDALONE MODE

- In standalone mode the fixture can be controlled directly from the 3 digit push button without the need of a DMX control device.
- Fixture is controlled from 0-100% intensity by setting the 3 digit push button from 900-999. 900 being 0% (off) and 999 being 100% (full on) (**Fig. 22**).

**NOTE:** Top button decreases the value of the digit in that column by one. Bottom button increases the value of the digit in that column by one.



Figure 19. DMX controller on yoke



Figure 20. DMX controller housing

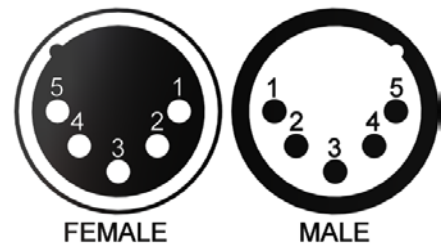


Figure 21. XLR 5 pin layout



Figure 22. DMX address, 3 digit push button