

LumeLEX Pendant Downlight Series



Lighting Services Inc



Introducing the LumeLEX Pendant Downlight Series

Elegant simplicity in design and execution is what the LumeLEX Pendant Downlight Series is all about. Specifically designed for hospitality and transitional spaces, the LumeLEX Pendant Downlight Series features sleek, elegant proportions in a slim, stem mounted fixture design. The clean lines will blend harmoniously into any architectural setting, while the excellent color range of these LED modules ensures the display items will be seen in their true colors.



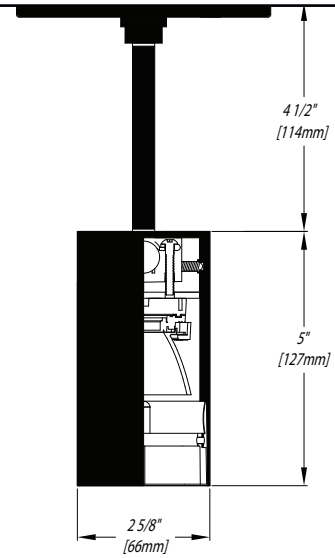
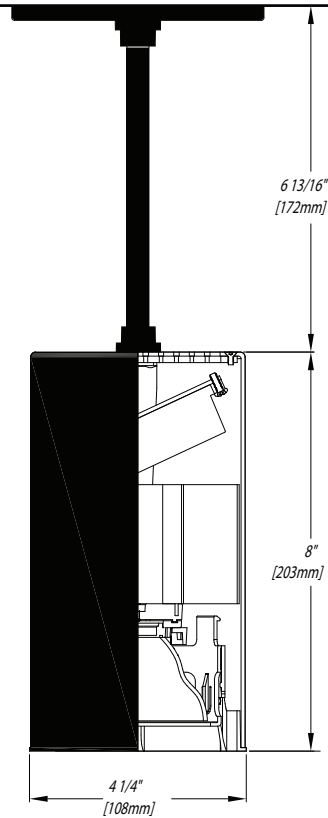
LumeLEX 2048 Pendant Downlight

- LED Modules up to 23 watts in three formats: Dim to Warm, Xicato XTM (19mm) and Xicato XTM (9mm)
- Various dimming systems available: 0-10V, Trailing Edge (ELV Reverse Phase), Integral Dimming and Lumentalk
- Fixed center stem
Custom stem lengths available: 4" - 48"
- Field interchangeable optics (15°- 60°)
- Dim to Warm module:
Up to 1300 Delivered Lumen Output
Halogen mimicking color: 2000°K to 2800°K
- Xicato XTM module:
Up to 2000 Delivered Lumen Output
Color Temperatures: 2700°K, 3000°K
- Track and Canopy mounting options

LumeLEX 2038 Pendant Downlight

- LED Modules up to 14 watts in two formats: Dim to Warm, Xicato XTM (19mm) and Xicato XTM (9mm)
- Trailing Edge (ELV Reverse Phase) Dimming
- Fixed center stem
Custom stem lengths available: 4" - 48"
- Field interchangeable optics (15° or 40°)
- Dim to Warm module:
Up to 850 Delivered Lumen Output
Halogen mimicking color: 2000°K to 3000°K
- Xicato XTM module:
Up to 600 Delivered Lumen Output
Color Temperatures: 2700°K, 3000°K
- Track and Canopy mounting options

View the LumeLEX 2048 Fixed Pendant Downlight YouTube Video



**LumeLEX 2048 Pendant Downlight
Dimming Options:**



0-10V



Trailing Edge
ELV Reverse
Phase



Integral
Dimming



Lumentalk

**LumeLEX 2038 Pendant Downlight
Dimming Options:**



Trailing Edge
ELV Reverse
Phase



Lighting Services Inc

2 Holt Drive

Stony Point, NY 10980-1996

Tel: +1 845.942.2800

Fax: +1 845.942.2177

www.LightingServicesInc.com

www.LightingServicesInc.co.uk