



This product must be installed in accordance with applicable national and local electrical and construction codes by a person familiar with the construction and operation of the product and the hazards involved. Failure to comply with the following installation instructions may result in death or serious injury.

**⚠ WARNING**  
DO NOT USE IF PARTS OR CONNECTORS ARE DAMAGED.

**⚠ WARNING**  
DO NOT EXCEED FIXTURE SPECIFIED VOLTAGE.

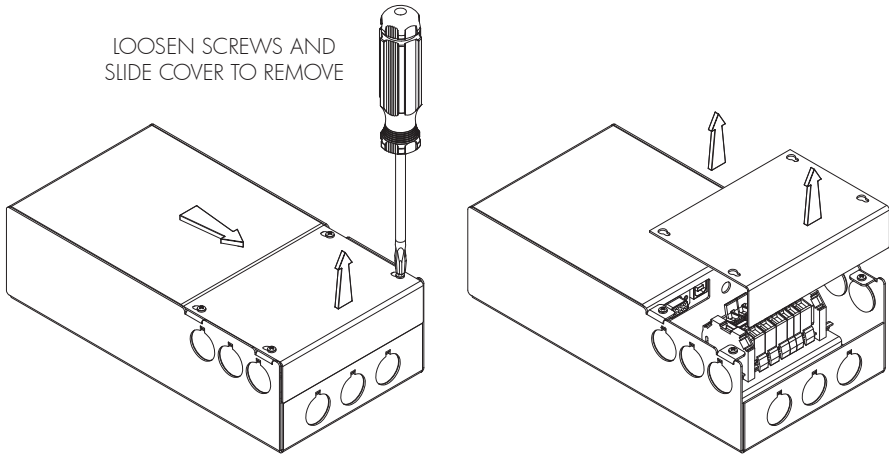
**CAUTION**  
UNAUTHORIZED FIELD REPAIRS WILL VOID WARRANTY

**⚠ WARNING**  
DISCONNECT POWER BEFORE INSTALLING OR SERVICING TO AVOID ELECTRICAL SHOCK.

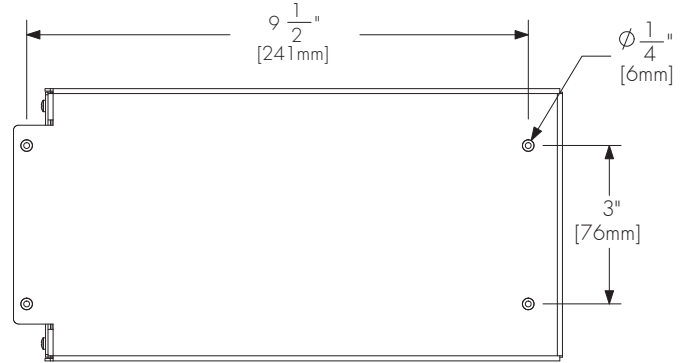
## OPEN BOX



LOOSEN SCREWS AND SLIDE COVER TO REMOVE

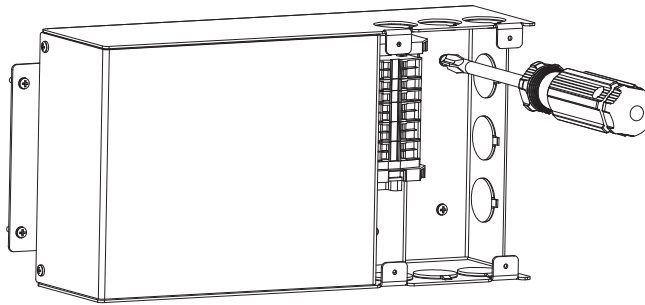
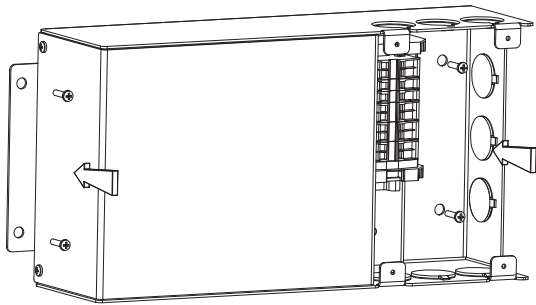


## MOUNTING HOLE PATTERN



CLEARANCE HOLE FOR 1/4" -20 (M6) HARDWARE (NOT INCLUDED)

## WALL INSTALLATION



**⚠ WARNING**  
USE 1/4" FASTENERS (4X BY OTHERS) THAT ARE APPROPRIATE FOR USE WITH YOUR MOUNTING SURFACE

**4X**

## MAKE CONNECTIONS - 120-277V INPUT (UP TO 3 PHASES)

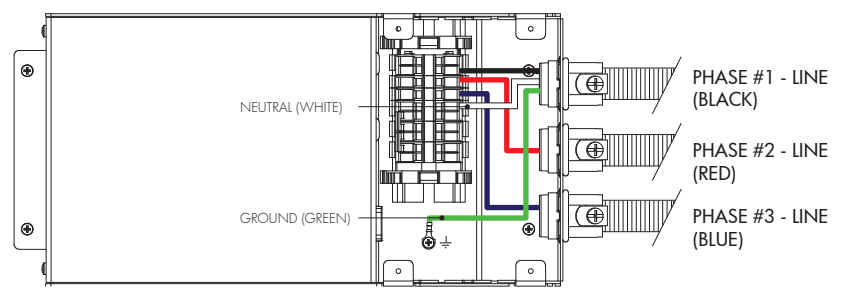
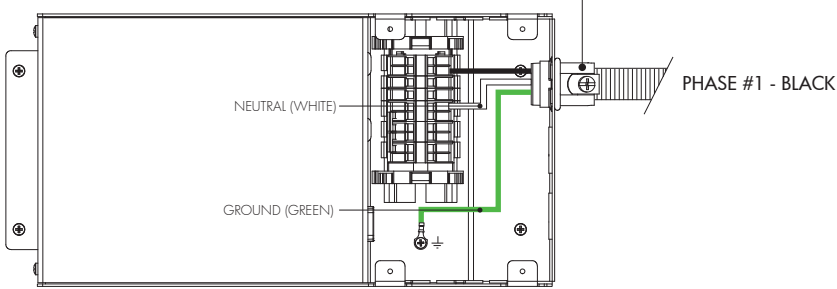
1- CONNECT POWER WIRES ACCORDING TO WIRING DIAGRAM.

2- TEST CONNECTIONS.

KNOCKOUTS, PROVISIONS FOR 1/2" NPT, PG16 OR 20mm APPLICABLE FITTINGS (BY OTHERS)

### Wiring detail

CE wire color / 240/277V	US wire color / 120V or 277/480V	USE
Yellow/Green	Green	Ground
Blue	White	Neutral
Brown	Black/ Brown	Line 1
Black	Red/ Orange	Line 2
Grey	Blue/ Yellow	Line 3



## CLOSE BOX

SLIDE COVER AND TIGHTEN SCREWS TO SECURE INSTALLATION.

