

Client: _____
 Project name: _____
 Order #: _____
 Type: _____ Qty: _____

DESCRIPTION:

Lumenlink is a router that connects multiple phases and circuits to share Lumentalk's control signal over an entire network of fixtures.

FEATURES AND BENEFITS:

Physical :

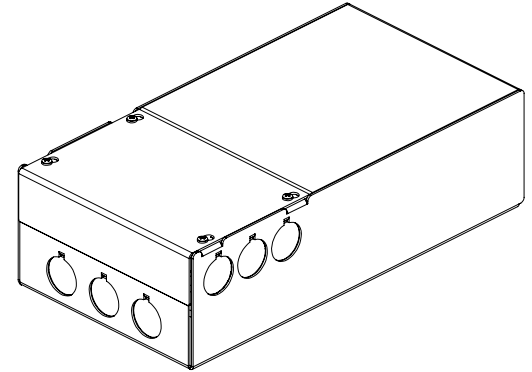
- Steel enclosure and cover
- Silver powder coat finish inside and out
- 1/2" NPT provision holes

Performance :

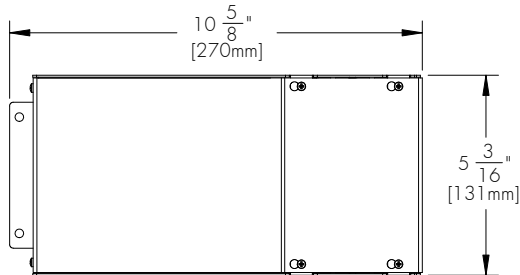
- Operating temperatures: 0° C to 50° C [32F to 122F]
- Interior applications only

Electrical :

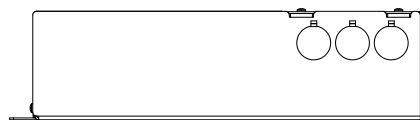
- Line voltage interface for 120 to 277V, 3 phases



*Strain relief connectors and cables by others.

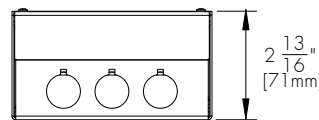


TOP VIEW

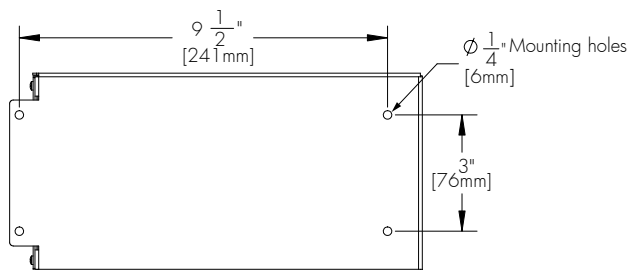


FRONT VIEW

* All dimensions are preliminary



RIGHT SIDE VIEW



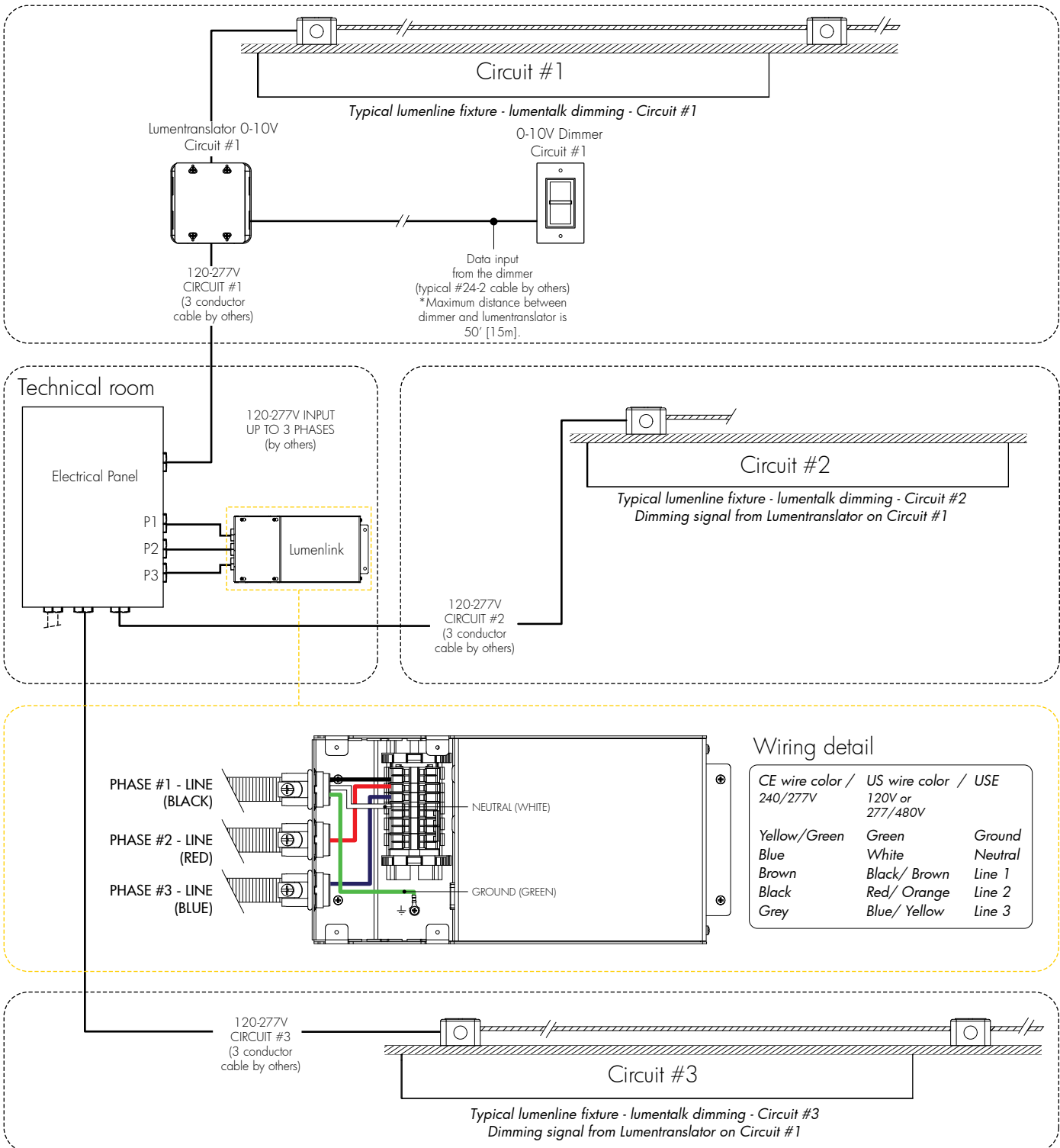
BOTTOM VIEW

5 year warranty

TYPICAL WIRING DIAGRAM

Local installations (0-10V shown, US wire colors)

*Lumentranslator card must remain accessible.



Consult factory for integration with dimmer rack.

HOW TO ORDER

LNK		
Housing	Voltage	Finish
1	2	3

1

Housing:

LNK - Lumenlink™

2

Voltage:

120 - 120 volts

208 - 208 volts

240 - 240 volts

277 - 277 volts

3

Finish:

SI - Silver SandText

CC - Custom (please specify RAL color)