

# LUMELX® 2030 SERIES • 120V/277V • XICATO • 9MM



Shown with optional  
Cross Baffle accessory

## These LED Cylinder units offer high functionality in LSI's smallest, sleekest package.

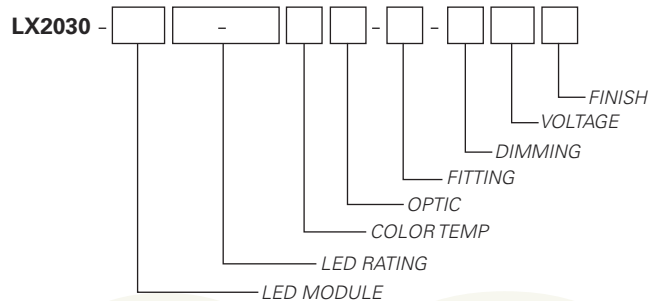
- Designed for the Xicato XTM 9mm LED module up to 14 Watts, enabling narrow beams
- Extremely tight color consistency (less than 2 MacAdam Ellipses)
- System efficiency up to 37 lumens/watt
- 50,000 hour life to 70% lumen output, L70 at 95°F max ambient
- Field interchangeable optics (16° – 40°) modify the beam spread distribution
- Color Rendering Index (CRI) of either 98 (high) or 83 (standard)
- Choice of color temperature
- Choice of lumen outputs (delivered lumens)
- Tested to LM79 and LM80 Protocols, TM-30 available
- Hidden integral electronic driver compatible with reverse phase (ELV compatible) dimmers down to 10%
- Integral Dimming with built-in potentiometer also available, dimming down to 1%
- Accessory holder accepts up to two size-AAA LSI filters and accessories
- Self and wrench locking stem for vertical and horizontal focusing
- Sturdy die-cast aluminum housing
- No UV or IR emissions; no mercury or lead
- On/off safety switch (on OE track fitting)
- Finishes: LSI Black, White, and Silver
- Fixture weight: 2 lbs
- All modules are field replaceable

## FIXTURE PART NUMBERS

Please review the **ORDERING INFORMATION** section on the next page as well as the **MOUNTING OPTIONS** on page 3 to create a part number for each fixture that specifies the following:

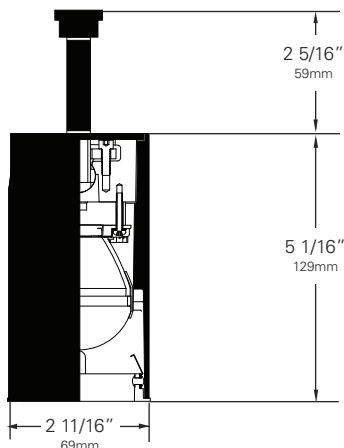
- LED Module
- LED Rating
- Color Temperature
- Optic - mm/beam spread
- Dimming
- Voltage
- Finish

### PART NUMBER



Example Part Number: **LX2030-TS907-9830P1-0E-TE120W** is a fixture with a Xicato 9mm LED module, 700 Lumen/98 CRI/13 Watt LED rating, 3000° Color Temperature, 50mm 16° Optic, OE Track fitting with Trailing Edge group dimming capability, 120V and a White finish.

# LUMELX® 2030 SERIES • 120V/277V • XICATO • 9MM



## XTM 9MM ORDERING INFORMATION (INTEGRAL DIMMING)

### Base Fixture Model

LX2030-TS9 (XTM 9mm)

### LED Rating (Lumens/CRI/Wattage)

05-98 = 530/98/11     08-83 = 830/83/11

### Color Temperature

27= 2700K     30= 3000K  
 35= 3500K     40= 4000K

### Optic

P1 = 50mm/ 16°  
 P2 = 50mm/ 24°  
 P4 = 50mm/ 40°

### Fitting/Controls (Dimming)

0E-ED = Track Fitting with Integral Dimming (1%)

### Voltage

120 = 120V     230 = 220-240V

### Finish

B = Black     W = White     S = Silver

### Example Part Number:

**LX2030-TS9**   **05-98**   **30**   **P1** - **0E-ED**   **120**   **W**  
FIXTURE MODEL    LED RATING    COLOR TEMP    OPTIC    FITTING/ DIMMING    VOLTAGE    FINISH

## XTM 9MM ORDERING INFORMATION (EXTERNAL DIMMING)

### Base Fixture Model

LX2030-TS9 (XTM 9mm)

### LED Rating (Lumens/CRI/Wattage)

07-98 = 700/98/13     09-83 = 930/83/14

### Color Temperature

27= 2700K     30= 3000K  
 35= 3500K     40= 4000K

### Optic

P1 = 50mm/ 16°  
 P2 = 50mm/ 24°  
 P4 = 50mm/ 40°

### Fitting/Controls (Dimming)

0E-TE = Track Fitting & Trailing Edge (10%)  
 EF-TE = Security/Worklight Track Fitting & Trailing Edge (10%)  
 5E-TE = Canopy Fitting & Trailing Edge (10%)

### Voltage

120 = 120V     230 = 220-240V     277 = 277V

### Finish

B = Black     W = White     S = Silver

### Example Part Number:

**LX2030-TS9**   **07-98**   **30**   **P1** - **0E-TE**   **120**   **W**  
FIXTURE MODEL    LED RATING    COLOR TEMP    OPTIC    FITTING/ DIMMING    VOLTAGE    FINISH

## Color Temperature & Center Point Tolerance

Color Temp	Center Point	Tolerance
2700K	2700K	+/- 40K
3000K	2950K	+/- 50K
3500K	3420K	+/- 60K
4000K	4000K	+/- 70K

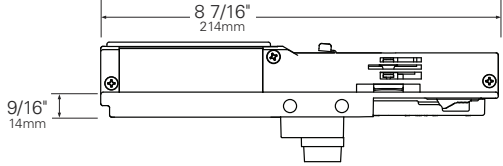
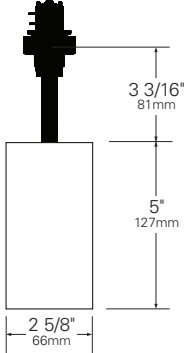
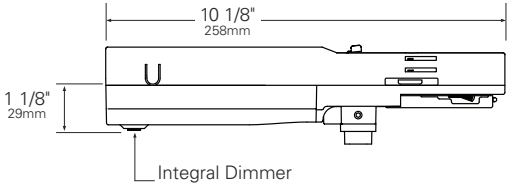
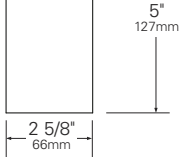
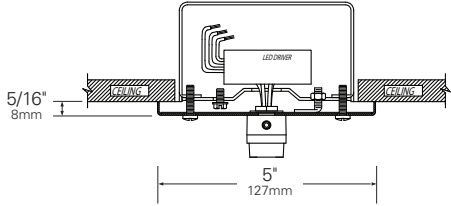
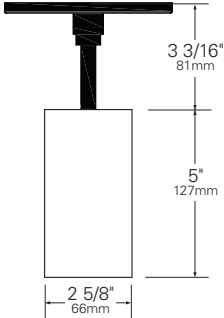
## Chromaticity Specifications

LED	R <sub>a</sub> -CRI	R <sub>f</sub> -Fidelity	R <sub>g</sub> -Gamut Area
T19-TS9 - 83	83	78	101
T19-TS9 - 98	98	96	103

### Other Options (Consult Factory):

- Custom Stems, specify length (4" - 48")
- Custom Finish, RAL palette

# LUMELX® 2030 • XICATO 9MM MOUNTING OPTIONS

FITTING	SIDE VIEW	STEM LENGTH VIEW
<p><b>0E Track Fitting/ EF Security/Worklight Fitting</b></p>		
<p><b>0E-ED Track Fitting with Integral Dimmer (120V and 230V only)</b></p>		
<p><b>5E Canopy Fitting</b></p>		

# LUMELLEX® 2030 · XICATO 9MM PERFORMANCE

The performance characteristics of the LumeLEX family of products can be customized based on the LED module and the optic (reflector) selected.

Each available LED module is defined by four characteristics – the color rendering index (CRI), the correlated color temperature (CCT), the power that it uses (watts), and its “available lumens.” Note that available lumens is a theoretical value that represents the light output of the module on its own – no fixture or optic attached.

In the LSI part number, the LED module is specified with a range of numbers that immediately follow the product series number. For example, in the part number LX2030-TS907-9827P1-0E-TE120B, the “TS907-9827” represents an LED module with an output of 700 lumens, a CRI of 98, a power usage of 13 watts and a color temperature of 2700K.

The available optics (reflectors) are characterized by size, beam angle, and in some cases the characteristics of the field angle (narrow or wide). The optic is specified by the two characters that follow the LED designation in the part number. For example, the “P1” in LX2030-TS907-9827P1-0E-TE120B is a 50mm diameter optic that has a 16-Degree beam.

Additional parameters, such as Center Beam Candle Power (CBCP), Delivered Lumens, and Efficiency (Lumens per Watt) are all shown in a table that is organized by LED module and optic combination.

	CBCP = Center Beam Candle Power			
	LED Rating	Optic (Reflector)		
	Lumens/CRI/Wattage	P1	P2	P4
Integral Dimming	530/98/11	3291	1627	811
	830/83/11	5154	2548	1270
External System Dimming	700/98/13	4347	2149	1071
	930/83/14	5775	2855	1423

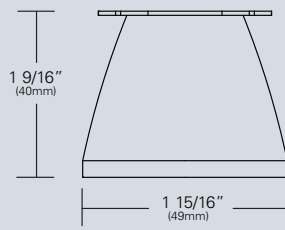
	Delivered Lumens			
	LED Rating	Optic (Reflector)		
	Lumens/CRI/Wattage	P1	P2	P4
Integral Dimming	530/98/11	297	307	302
	830/83/11	465	481	473
External System Dimming	700/98/13	392	406	399
	930/83/14	521	539	530

	Efficiency = Lumens Per Watt			
	LED Rating	Optic (Reflector)		
	Lumens/CRI/Wattage	P1	P2	P4
Integral Dimming	530/98/11	27	28	27
	830/83/11	42	44	43
External System Dimming	700/98/13	30	31	31
	930/83/14	37	39	38

LED Module	Integral Dimming		External System Dimming	
Lumens/CRI/Wattage SKU Code	530/98/11 05-98	830/83/11 08-83	700/98/13 07-98	930/83/14 09-83
Nominal Fixture Power (+/- 20%), Watts	11	11	13	14
Maximum Inrush Current Amps	10	10	10	10
Minimum Power Factor	0.90	0.90	0.90	0.90

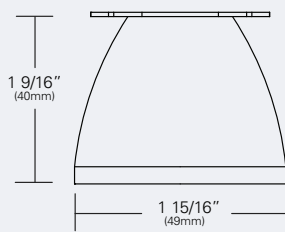
*Inrush current is instantaneous current drawn by the LED only when fixture is initially powered on or instantaneously changed from full dim to full bright. For more details see Dimming Application Sheet, IS-0119.*

# LUMELX<sup>®</sup> 2030 • XICATO 9MM OPTICS



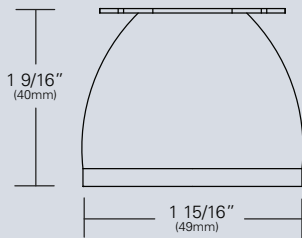
## **LX-P16-REF-CLR (P1)** **(50mm/16°)**

Faceted specular metal optic.  
Tool-less twist and lock  
installation. Aluminized finish.



## **LX-P24-REF-CLR (P2)** **(50mm/24°)**

Faceted specular metal optic.  
Tool-less twist and lock  
installation. Aluminized finish.



## **LX-P40-REF-CLR (P4)** **(50mm/40°)**

Faceted specular metal optic.  
Tool-less twist and lock  
installation. Aluminized finish.

# LUMELLEX® 2030 · XICATO 9MM PHOTOMETRIC DATA

**LED RATING: 09-83**

**External System Dimming**

**P1-50mm DIA Optic**

Beam Spread (minimum) **16°**  
 Center Beam Candlepower **5775**  
 CRI **83**

**P2-50mm DIA Optic**

Beam Spread (minimum) **24°**  
 Center Beam Candlepower **2855**  
 CRI **83**

**P4-50mm DIA Optic**

Beam Spread (minimum) **40°**  
 Center Beam Candlepower **530**  
 CRI **83**

**LED RATING: 08-83**

**Integral Dimming**

**P1-50mm DIA Optic**

Beam Spread (minimum) **16°**  
 Center Beam Candlepower **5154**  
 CRI **83**

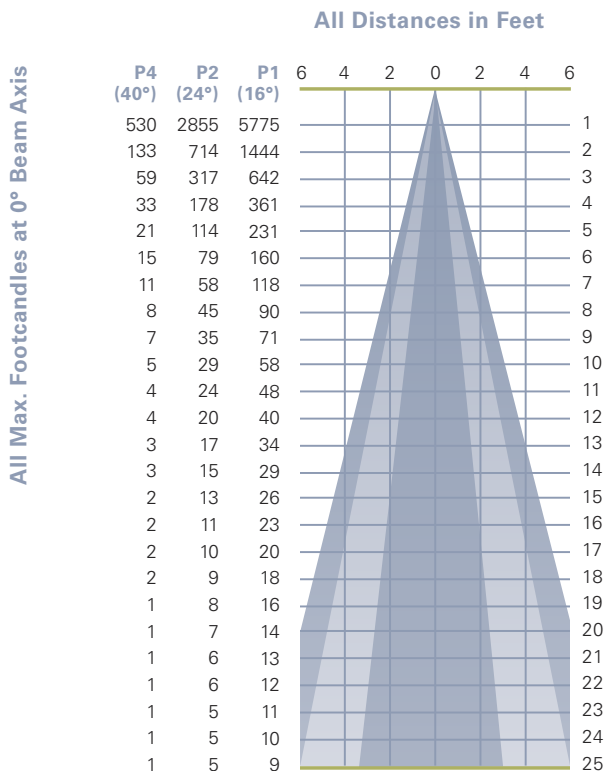
**P2-50mm DIA Optic**

Beam Spread (minimum) **24°**  
 Center Beam Candlepower **2548**  
 CRI **83**

**P4-50mm DIA Optic**

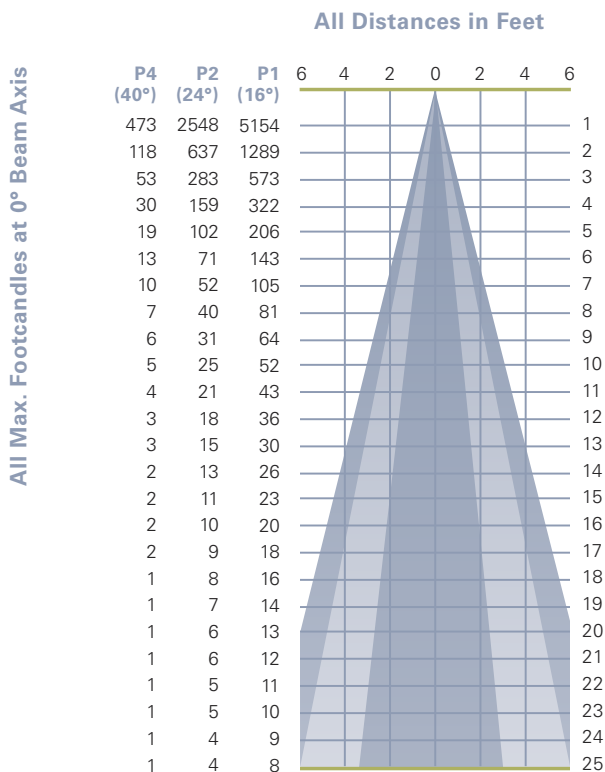
Beam Spread (minimum) **40°**  
 Center Beam Candlepower **473**  
 CRI **83**

**EXTERNAL SYSTEM DIMMING**



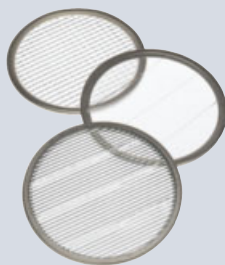
Photometric Data based on LED Rating: 09-83 (930 Lumens/83CRI/14watts)

**INTEGRAL DIMMING**



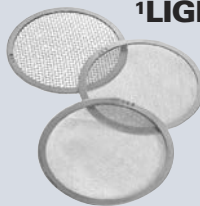
Photometric Data based on LED Rating: 08-83 (830 Lumens/83CRI/11watts)

# LUMELX<sup>®</sup> 2030 • ACCESSORIES



## SPREAD LENSES AND BEAM SOFTENER

No.	Description	% of Light Transmission
AAA990	Spread Lens/Clear	83 (5°X 50°)
AAA992	Spread Lens/Clear	85 (5°X 30°)
AAA995	Spread Lens/Clear	83 (50°X 50°)
AAA996	Spread Lens/Clear	86 (45°X 50°)
AAA998	Beam Softener/Clear	80 (45°X 45°)



## <sup>1</sup>LIGHT BLOCKING SCREENS AAA

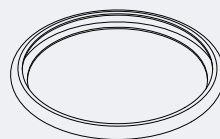
Stainless steel mesh screens used alone or in combinations will block from approximately 20% to 90% of the transmitted light without changing color temperature of the light.

No.	% of Light Blocked
AAA801S	20
AAA802S	30
AAA803S	40



## LOUVER HEX AAA

1/8" thick Hexcell black metal louver used for thin profile. Black finish.



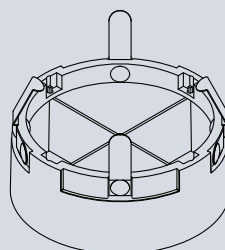
## BACKER RING AAAB

Aluminum ring to hold thin film gels when no other size AAA accessories are being used.



## LX2031FR WALL WASH CYLINDER HOUSING

which includes slash front, accessory cartridge, spread gel (75° x 45°) and kicker reflector (for use with 40° optic only).



## CROSS BAFFLE LX2030

Controls spill light and glare. Black finish.

1. Figures vary based upon LED module/optic being used and relationship of screen(s) to LED module/optic and to each other.

# LumeLEX® 2030 · GELS

As the foremost innovator in accent lighting, LSI offers a complete range of pre-cut Gels to modify the spread and color of light for the LumeLEX LED Series.



## LumeLEX® SPREAD GELS

Size: AAA (60 mm diameter)	Spread Gel
GEL-L1-AAAB	1° Spread Gel
GEL-L5-AAAB	5° Spread Gel
GEL-L10-AAAB	10° Spread Gel
GEL-L20-AAAB	20° Spread Gel
GEL-L30-AAAB	30° Spread Gel
GEL-L40-AAAB	40° Spread Gel
GEL-L60-AAAB	60° Spread Gel
GEL-L80-AAAB	80° Spread Gel
GEL-L30B5-AAAB	30° by 5° Spread Gel
GEL-L40B2-AAAB	40° by 0.2° Spread Gel
GEL-L60B1-AAAB	60° by 1° Spread Gel
GEL-L60B10-AAAB	60° by 10° Spread Gel
GEL-L75B45-AAAB	75° by 45° Spread Gel
GEL-L90B60-AAAB	90° by 60° Spread Gel
GEL-R101-AAAB	Beam Softener

## LumeLEX® COLOR GELS

Size: AAA (60 mm diameter)	Gel Color	% of Light Transmission	Size: AAA (60 mm diameter)	Gel Color	% of Light Transmission
GEL-R2-AAAB	Bastard Amber	78	GEL-R312-AAAB	Canary	85
GEL-R7-AAAB	Pale Yellow	96	GEL-R3204-AAAB	Half Blue	52
GEL-R12-AAAB	Straw	88	GEL-R331-AAAB	Shell Pink	68
GEL-R13-AAAB	Straw Tint	78	GEL-R383-AAAB	Sapphire Blue	4
GEL-R14-AAAB	Medium Straw	68	GEL-R397-AAAB	Pale Grey	70
GEL-R21-AAAB	Golden Amber	43	GEL-R2001-AAAB	Storaro Red	12
GEL-R25-AAAB	Orange Red	14	GEL-R2004-AAAB	Storaro Green	15
GEL-R26-AAAB	Light Red	12	GEL-R2009-AAAB	Storaro Violet	3
GEL-R27-AAAB	Medium Red	4	GEL-R3202-AAAB	Full Blue	36
GEL-R57-AAAB	Lavender	24	GEL-R3206-AAAB	Third Blue	64
GEL-R62-AAAB	Booster Blue	54	GEL-R3216-AAAB	Eighth Blue (Boosts 3200K to 3300K)	81
GEL-R71-AAAB	Sea Blue	30	GEL-R3318-AAAB	Tough 1/8 Minusgreen	89
GEL-R72-AAAB	Azure Blue	44	GEL-R3410-AAAB	Roscoun (1/8 CTO) (Reduces 5500K to 4900K)	92
GEL-R91-AAAB	Primary Green	7	GEL-R3441-AAAB	Full Straw (CTS)	50
GEL-R97-AAAB	Light Grey	50	GEL-R3443-AAAB	Quarter Straw (CTS)	81
GEL-R98-AAAB	Medium Grey	25	GEL-R4330-AAAB	CalColor 30 Cyan	63
GEL-R101-AAAB	Light Frost	N/A	GEL-R4415-AAAB	CalColor 15 Green	67
GEL-R104-AAAB	Tough Silk	N/A	GEL-R4490-AAAB	CalColor 90 Green	25
GEL-R119-AAAB	Lt. Hamburg Frost	N/A	GEL-R4860-AAAB	CalColor 60 Pink	46
GEL-R121-AAAB	Blue Diffusion	N/A	GEL-R4890-AAAB	CalColor 90 Pink	38
GEL-R305-AAAB	Rose Gold	75	GEL-R4930-AAAB	CalColor 30 Lavender	47

\* Backer Ring AAAB required to hold gels when no other rimmed "AAA" accessories are used.

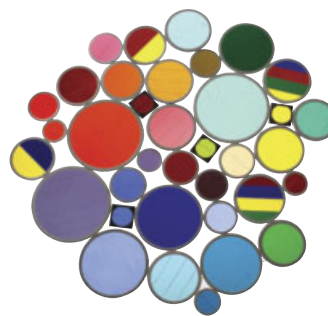
LSI ROSCO GEL CCT CONVERSION CHART FROM 3000K			
Type	ROSCO #	ROSCO Description	Resulting CCT
Amber Filters Lower CCT	3420	Double CTO	1531
	3407	Sun CTO	1999
	3401	Sun 85	2154
	3411	Sun 3/4 CTO	2154
	3408	Sun 1/2 CTO	2414
	3409	Sun 1/4 CTO	2664
	3410	Sun 1/8 CTO	2830
	3114	UV Filter	2930
Blue Filters Raise CCT	3220	Double Blue	N/A
	3202	Full Blue	4942
	3203	Three-Quarter Blue	4286
	3204	Half Blue	3769
	3206	Third Blue	3517
	3208	Quarter Blue	3297
	3216	Eighth Blue	3112



# COLOR MEDIA

## COLOR FILTERS

As the foremost innovator in accent lighting, LSI offers a complete range of permanent fade-free glass color filters, which are available in nine stock diameters. All glass color filters are rimmed in a seamless aluminum ring and are slotted for heat expansion.



Size	Diameter	LSI Fixture Series	No.	Color	% of Light Transmission
AAA	2 3/8"	LumeLEX® 2020/2030/2031/2038, SSLCX16, SSL260, LumeLEX MAR-S	902	Medium Pink	36
			903	Deep Pink	37
			904	Flesh Pink	73
			906	Pale Lavender	14
			907	Surprise Pink	19
			908	Lilac	21
			910	Warm Red	10
			911	Strawberry	6
			912	Ruby	4
			913	Magenta	1
			914	Light Amethyst	25
			915	Medium Amethyst	16
			916	Deep Amethyst	4
			917	Olive	18
			918	Light Green	68
			920	Medium Green	25
			921	Deep Green	7
			922	Silver green	65
			923	Yellow Green	49
			924	Emerald Green	12
			925	Light Turquoise	68
			926	Medium Turquoise	40
			927	Deep Turquoise	17
			928	Light Blue	34
			930	Medium Blue	3
			932	Daylight	59
			933	Gene Moore Blue	18
			936	Grey	56
			937	Light Blue Green	17
			939	Light Amber	68
			940	Medium Amber	48
			941	Deep Amber	43
			942	Straw	78
			943	Gold	87
			944	Canary Yellow	84
			945	Lemon	81
			946	Pumpkin	32
			947	Tangerine	20
			948	Orange	23
			949	Pink Gold	54
			950	Bronze	48
			951	Brass	11
			952	Autumn Tan	11
			953	Leaf Brown	19
			954	Butter Pecan	3
			955	Toasted Almond	1

**Notes:**

1. Values given are approximate due to slight variations in glass color and thickness.

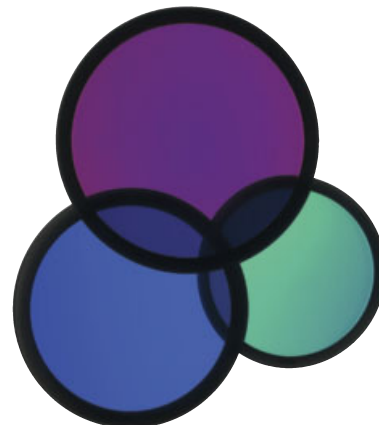
# COLOR MEDIA

## DICHROIC COLOR FILTERS

In addition to our complete line of glass color filters, LSI now offers dichroic glass color filters that achieve purer, more saturated, richer color by selective wavelength transmission. Since these filters reflect rather than absorb the unwanted color wavelengths, a higher intensity of colored light can be obtained with fewer or lower wattage fixtures. In addition, this selective transmission allows for very accurate color matching from filter to filter.

All standard LSI filter sizes are available in a wide palette of well chosen dichroic colors that can be used with all LSI fixtures that accept accessories.

LSI dichroic glass color filters have the added benefit of being rimmed for extra durability to allow for frequent usage without fear of breakage or edge chipping.



Size	Diameter	LSI Fixture Series	Technical Data	No.	Color	% of Light Transmission
AAA	2 3/8"	LumeLEX® 2020/2030/2031/2038, SSLCX16, SSL260, LumeLEX MAR-S	Dichroic color filters are created in a vacuum chamber by multi-layer vapor deposits of different minerals onto low expansion, chemically resistant Borosilicate glass.	2001	Light Pink	69
AA	3"	LumeLEX® 2024 (with LX2024-Holder or LX2024-Barndoor), LumeLEX® 2026, LumeLEX® 2044, LumeLEX 2048	Deposits are made in alternating layers of varying microscopic thickness which allow very narrow color wavelengths to be selectively transmitted and all other wavelengths to be reflected.	2002	Medium Pink	43
A	3 1/2"	LumeLEX® 2060, SSL230, SSLCX30, SSLGR30CL, SSLGR36	LSI does not recommend using dichroic color filters with lamps or fixtures that have beam spreads greater than 40° because a secondary color aura is created by the wide angular transmitted wavelengths that are different than the desired color wavelength.	2003	Hot Pink	11
B	4 1/4"	LumeLEX® MAR-L	Since there is mainly transmission and reflection of the color wavelengths by the dichroic filter and very little absorption, the dichroic filter can be used with many high temperature lights that normally would not accept color filters.	2004	Pale Pink	55
C	4 3/4"	LumeLEX® 2084, LumeLEX® 2088, SSL238, SSLCX36, SSLCX38, SSLGR38CL		2010	Deep Magenta	29
				2011	Lavender	24
				2012	Vivid Magenta	31
				2013	Lavender Accent	48
				2014	Lilac	37
				2015	Purple Fusion	12
				2020	Sky Blue	39
				2021	Sea Blue	39
				2022	Cyan	33
				2023	Light Blue Green	30
				2024	Primary Blue	24
				2025	Medium Red Blue	15
				2026	Deep Purple	16
				2027	Peacock Blue	53
				2028	Mediterranean Blue	20
				2029	Boost Blue	51
				2040	Light Yellow Green	64
				2041	Fern Green	47
				2042	Turquoise	35
				2043	Primary Green	31
				2044	Industrial Green	64
				2050	Yellow	80
				2051	Amber	71
				2052	Amber Blush	38
				2053	Bastard Amber	71
				2054	Goldenrod	63
				2055	Bright Straw	56
				2060	Medium Orange	51
				2061	Orange	44
				2070	Flame Red	27
				2071	Primary Red	25