

LX2044 • 120/277V • LED • DIM TO WARM • CONTROLTrack COMPATIBLE



Elegant fixture designed specifically for the most demanding architecture applications.

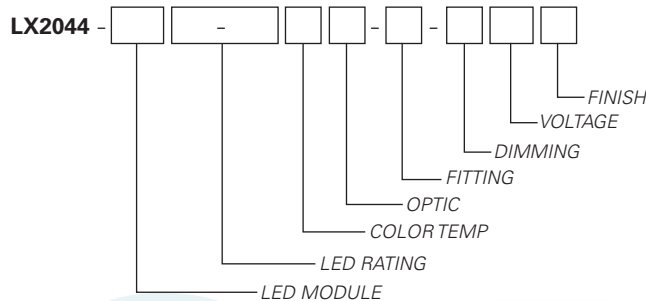
- Designed for a Dim to Warm module up to 22 watts
- Natural dimming that approximates the black body curve
- System efficiency up to 59 lumens/watt
- 36,000 hour life to 70% lumen output, L70 at 95°F max ambient
- Halogen mimicking color from 2800°K to 2000°K
- Color Rendering Index (CRI) of 92 min. at all dimming settings
- Color Fidelity (R_f) 92
- Gamut Area Index (R_g) 102
- Lumen output: 1800 Lumens
- Proprietary mixing optics for smooth even light
- Tested to LM79 and LM80 Protocols, TM-30 available
- 0-10V dimming allows for 2 zones of control on one circuit CONTROLTrack down to 10%
- DMX compatible with dimming below 1%
- Field interchangeable optics (20°- 50°) modify the beam spread distribution
- Accessory holder accepts up to two size-AA LSI filters and accessories
- Finishes: LSI Black, White, and Silver
- Fixture weight: 3.5 lbs
- All modules are field replaceable

FIXTURE PART NUMBERS

Please review the **ORDERING INFORMATION** section on the next page as well as the **MOUNTING OPTIONS** on page 3 to create a part number for each fixture that specifies the following:

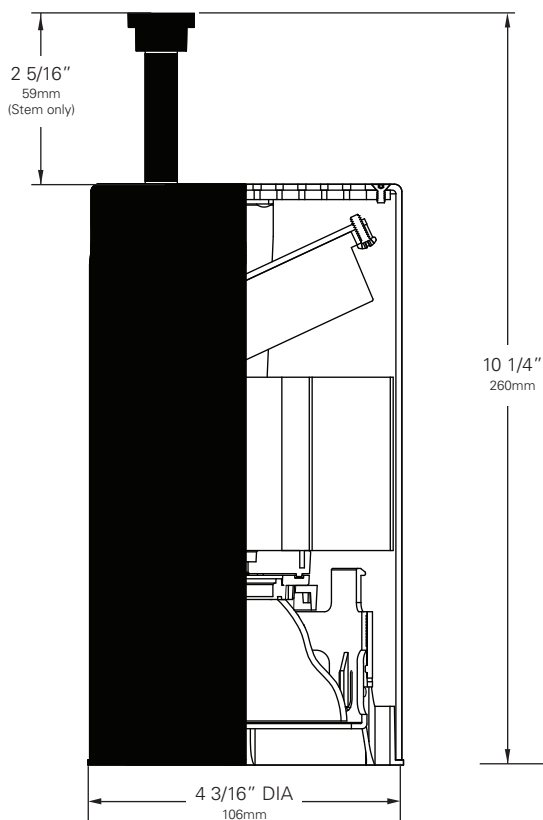
- LED Module
- LED Rating
- Color Temperature
- Optic (mm/beam spread)
- Fitting (Mounting Option)
- Dimming
- Voltage
- Finish

PART NUMBER



Example Part Number: **LX2044-D1518-92DWW2-CT3-DX120W** is a fixture with a Dim to Warm LED module, 1800 Lumen/92 CRI/22 Watt LED rating, 2800° - 2000°K Color Temperature, 72mm 20° Color Mixing Optic, CT3 CONTROLTrack fitting with DMX Address knobs and DMX compatible control gear, 120V and a White finish.

LX2044 • 120/277V • LED • DIM TO WARM • CONTROLTrack COMPATIBLE



DIM TO WARM ORDERING INFORMATION

Base Fixture Model

- LX2044-D15 (Dim to Warm)

LED Rating (Lumens/CRI/Wattage)

- 18-92 = 1800/92/22

Color Temperature

- DW= 2800K to 2000K

Optic

- W2 = 72mm/ 20° Color Mixing
 W3 = 72mm/ 30° Color Mixing
 W4 = 72mm/ 40° Color Mixing
 W5 = 72mm/ 50° Color Mixing
 WR = 72mm/ 15° Color Mixing & Field Reducer

Fitting/Controls (Dimming)

- CT1-10 = CONTROLTrack Fitting & 0-10V (10%)
 CT3-DX = CONTROLTrack Fitting & DMX (<1%)

Voltage

- 120 = 120V 230 = 220-240V 277 = 277V

Finish

- B = Black W = White S = Silver

Example Part Number:

LX2044-D15 **18-92** **DW** **W2** - **CT3-DX** **120** **W**
FIXTURE MODEL LED RATING COLOR TEMP OPTIC FITTING/DIMMING VOLTAGE FINISH

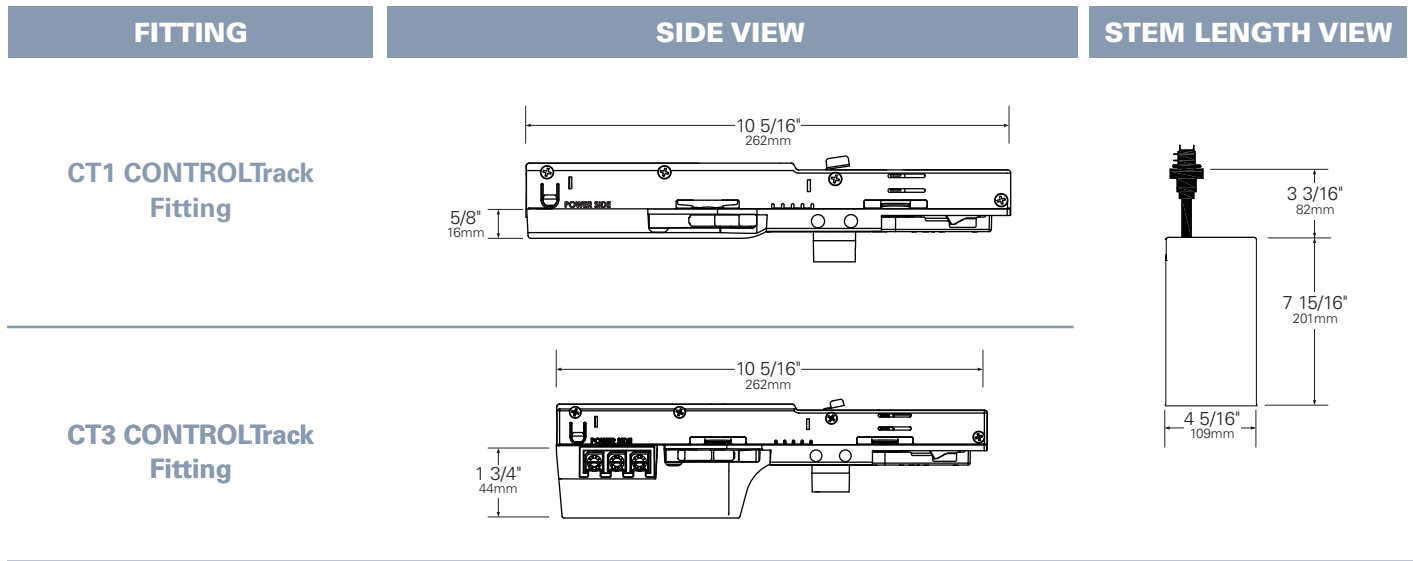
Other Options (Consult Factory):

- Custom Stems, specify length (4" - 48")
- Custom color, RAL palette

Chromaticity Specifications

LED	R _a -CRI	R _f -Fidelity	R _g -Gamut Area
D15	92	92	102

LX2044 • MOUNTING OPTIONS



LX2044 • PERFORMANCE

The performance characteristics of the Dim to Warm LumeLEX family of products can be customized based on the optic (reflector) selected.

The behavior of the Dim to Warm modules links the color of the light to the dimmed output of the fixture just like a halogen or incandescent source. Therefore the four characteristics defining the color — the color rendering index (CRI), the correlated color temperature (CCT) range, the power that it uses (watts), and its “available lumens” – are linked to the dim setting. Note that available lumens is a theoretical value that represents the light output of the module on its own – no fixture or optic attached. Also note that the CRI of this fixture is a minimum of 92 at any dimming setting.

In the LSI part number, the LED module is specified with a letter and a number that immediately follow the product series number. For example, in the part number LX2044-D1518-92DWW2-00-TE120B, the “D1518-92DW” represents a Dim to Warm LED module with an output of 1800 lumens, a CRI of 92, a power usage of 22 watts and a color temperature range of 2800K – 2000K that is tied to the dimming setting.

The available optics (reflectors) are characterized by size, beam angle, and in some cases the characteristics of the field angle (narrow or wide). The optic is specified by the two characters that follow the LED designation in the part number. For example, the “W2” in LX2044-D1518-92DWW2-00-TE120B is a 70mm diameter optic that has a 20-Degree beam.

Additional parameters, such as Center Beam Candle Power (CBCP), Delivered Lumens, and Efficiency (Lumens per Watt) are all shown in a table that is organized by LED module and optic combination.

CBCP = Center Beam Candle Power					
LED Module	Optic (Reflector)				
Lumens/CRI/Wattage	W2	WR	W3	W4	W5
1800/92/22	7350	5512	4201	2991	2292

Delivered Lumens					
LED Module	Optic (Reflector)				
Lumens/CRI/Wattage	W2	WR	W3	W4	W5
1800/92/22	1265	506	1212	1226	1305

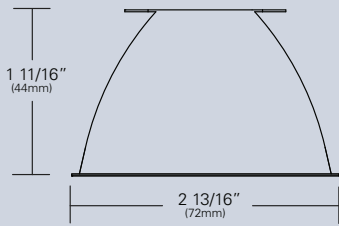
Efficiency = Lumens Per Watt					
LED Module	Optic (Reflector)				
Lumens/CRI/Wattage	W2	WR	W3	W4	W5
1800/92/22	57	23	55	56	59

Absolute range of values are +/- 10% of typical value, and are for all color temperatures

LED Module Lumens/CRI/Wattage SKU Code	1800/92/22 18-92
Nominal Fixture Power (+/- 20%), Watts	22
Maximum Inrush Current Amps	10
Minimum Power Factor	0.92

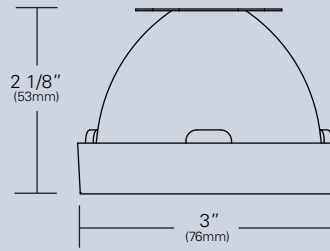
Inrush current is instantaneous current drawn by the LED only when fixture is initially powered on or instantaneously changed from full dim to full bright. For more details see Dimming Application Sheet, IS-0119.

LX2020 • OPTICS



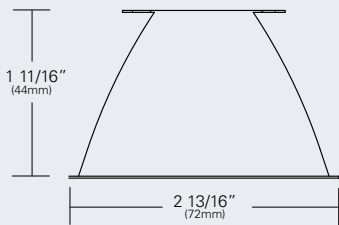
LX-W20-REF-CLR (W2)
(72mm/20°)

Faceted reflectively coated metal optic. Tool-less twist and lock installation. Aluminized finish.



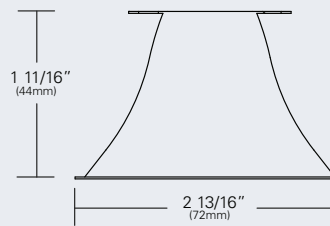
LX-WRD-REF-CLR (WR)
(70mm/15°)

Field reducer. Proprietary field reducing baffle (black) with aluminized reflector. Tool-less twist and lock installation.



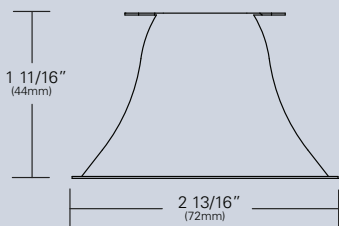
LX-W30-REF-CLR (W3)
(72mm/30°)

Faceted reflectively coated metal optic. Tool-less twist and lock installation. Aluminized finish.



LX-W40-REF-CLR (W4)
(72mm/40°)

Faceted reflectively coated metal optic. Tool-less twist and lock installation. Aluminized finish.



LX-W50-REF-CLR (W5)
(72mm/50°)

Faceted reflectively coated metal optic. Tool-less twist and lock installation. Aluminized finish.

LX2044 • PHOTOMETRIC DATA

LED RATING: 18-92

W2-72mm DIA Optic

Beam Spread (minimum) **20°**
Center Beam Candlepower **7350**
CRI **92**

WR-70mm DIA Optic

Beam Spread (minimum) **15°**
(FR: Field Reducer) **5572**
Center Beam Candlepower **92**
CRI

W3-72mm DIA Optic

Beam Spread (minimum) **30°**
Center Beam Candlepower **4201**
CRI **92**

W4-72mm DIA Optic

Beam Spread (minimum) **40°**
Center Beam Candlepower **2991**
CRI **92**

W5-72mm DIA Optic

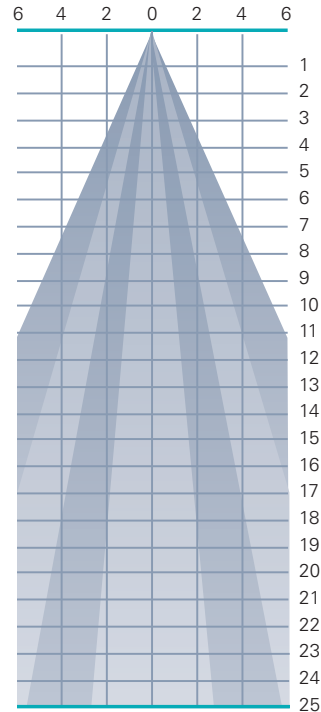
Beam Spread (minimum) **50°**
Center Beam Candlepower **2292**
CRI **92**

LED RATING: 25-92

All Max. Footcandles at 0° Beam Axis

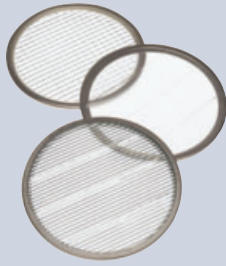
	W5 (50°)	W4 (40°)	W3 (30°)	WR (15°) FR	W2 (20°)
2292	2991	4201	5572	7350	
573	748	1050	1393	1838	
255	332	467	619	817	
143	187	263	348	459	
92	120	168	223	294	
64	83	117	155	204	
47	61	86	114	150	
36	47	66	87	115	
28	37	52	69	91	
23	30	42	56	74	
19	25	35	46	61	
16	21	29	39	51	
14	18	25	33	43	
12	15	21	28	38	
10	13	19	25	33	
9	12	16	22	29	
8	10	15	19	25	
7	9	13	17	23	
6	8	12	15	20	
6	7	11	14	18	
5	7	10	13	17	
5	6	9	12	15	
4	6	8	11	14	
4	5	7	10	13	
4	5	7	9	12	

All Distances in Feet



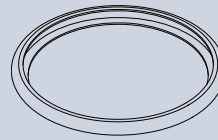
Photometric Data based on LED Rating: 18-92 (1800 Lumens/92CRI/22watts)

LX2044 • ACCESSORIES



SPREAD LENSES AND BEAM SOFTENER

No.	Description	% of Light Transmission
AA990	Spread Lens/Clear	83 (5°X 50°)
AA992	Spread Lens/Clear	85 (5°X 30°)
AA995	Spread Lens/Clear	83 (50°X 50°)
AA996	Spread Lens/Clear	86 (45°X 50°)
AA998	Beam Softener/Clear	80 (45°X 45°)



BACKER RING AAB

Aluminum ring to hold gel when no other size AA accessories is being used. Black finish.



1 LIGHT BLOCKING SCREENS AA

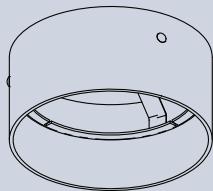
Stainless steel mesh screens used alone or in combinations will block from approximately 20% to 90% of the transmitted light without changing color temperature of the light

No.	% of Light Blocked
AA801S	20
AA802S	30
AA803S	40



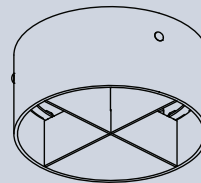
LOUVER HEX AA

1/8" thick Hexcell black metal louver used for thin profile. Black finish.



HOOD-EXT-LX44-NXB-X

Cylindrical metal hood controls spill light and glare. Does not include cross baffle. Specify finish.



HOOD-EXT-LX44-WXB-X

Cylindrical metal hood controls spill light and glare. Includes cross baffle. Specify finish.

1. Figures vary based upon LED Module/Optic being used and relationship of screen(s) to LED Module/Optic and to each other.

LX2044 • GELS

As the foremost innovator in accent lighting, LSI offers a complete range of pre-cut Gels to modify the spread and color of light for the LumeLEX LED Series.



LumeLEX® SPREAD GELS

Size: AA (76 mm diameter)	Spread Gel
GEL-L1-AA	1° Spread Gel
GEL-L5-AA	5° Spread Gel
GEL-L10-AA	10° Spread Gel
GEL-L20-AA	20° Spread Gel
GEL-L30-AA	30° Spread Gel
GEL-L40-AA	40° Spread Gel
GEL-L60-AA	60° Spread Gel
GEL-L80-AA	80° Spread Gel
GEL-L30B5-AA	30° by 5° Spread Gel
GEL-L40B2-AA	40° by 0.2° Spread Gel
GEL-L60B1-AA	60° by 1° Spread Gel
GEL-L60B10-AA	60° by 10° Spread Gel
GEL-L75B45-AA	75° by 45° Spread Gel
GEL-L90B60-AA	90° by 60° Spread Gel
GEL-R101-AA	Beam Softener