

LX2048 • 120/277V • LED • COB

Elegant fixture designed specifically for the most demanding architecture applications.

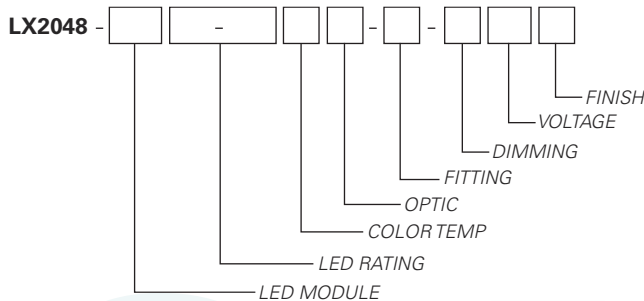
- 4° optic produces 70000 CBCP with 810 lumens at 15 watts
- System efficiency up to 34 lumens/watt
- Exceeds ANSI specifications by maintaining extremely tight color consistency over the life of the fixture
- Tested to LM79 and LM80 Protocols
- 50,000 hour life to 70% lumen output, L70 at 95°F max ambient
- Hidden integral electronic driver compatible with various dimmers down to 5%
- Integral Dimmer with built-in potentiometer also available
- Color Rendering Index (CRI) 90+
- Color Fidelity Index (R_f) 92
- Gamut Area Index (R_g) 102
- Color consistency, 2 MacAdam ellipses
- Removable accessory cartridge for any double combination of size AA LSI filters and accessories
- No UV or IR emissions; no mercury or lead
- On/off safety switch (on most mounting types)
- Sturdy die-cast aluminum housing
- Self and wrench locking stem for vertical and horizontal focusing
- Accessory holder accepts up to two size-AA LSI accessories
- Backer Ring AAB (included) holds gel media when no other size AA accessory is being used
- Finishes: LSI Black, White, and Silver
- Fixture weight: 3.5 lbs
- All modules are field replaceable
- Fixed center stem
- Maximum stem length is 48"

FIXTURE PART NUMBERS

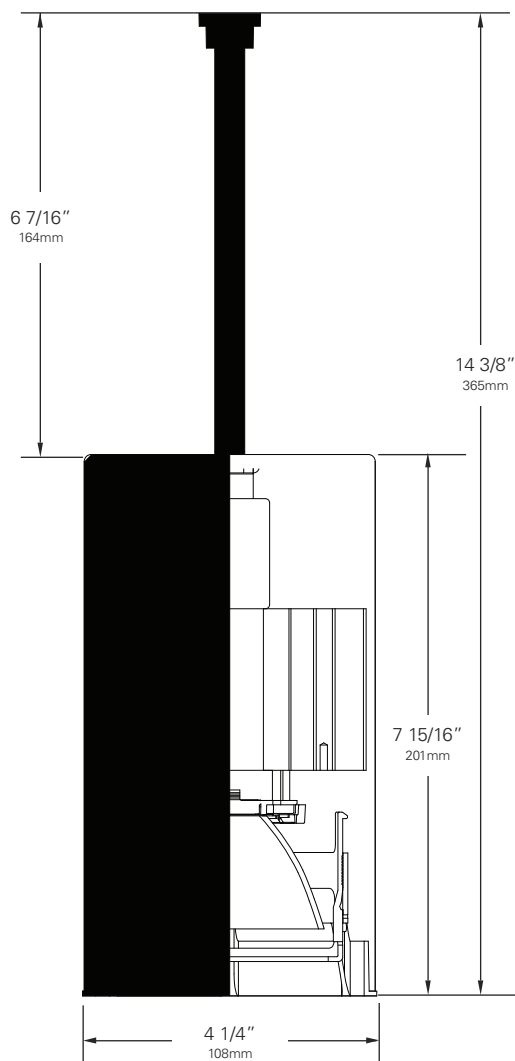
Please review the **ORDERING INFORMATION** section on the next page as well as the **MOUNTING OPTIONS** on page 3 to create a part number for each fixture that specifies the following:

- LED Module
- LED Rating
- Color Temperature
- Optic (mm/beam spread)
- Fitting/Controls (Dimming)
- Voltage
- Finish

PART NUMBER



Example Part Number: **LX2048-ZE308-903004-00-TE120W** is a fixture with a ZE3 LED module, 810 Lumen/90 CRI/15 Watt LED rating, 3000°K Color Temperature, 4° Optic, 00 Track fitting with Trailing Edge group dimming capability, 120V and a White finish.

LX2048 • 120/277V • COB**Color Temperature & Center Point Tolerance**

Color Temp	Center Point	Tolerance
2700K	2700K	+/- 40K
3000K	2950K	+/- 50K
3500K	3420K	+/- 60K
4000K	4000K	+/- 70K

Chromaticity Specifications

LED	R _a -CRI	R _f -Fidelity	R _g -Gamut Area
ZE3	90	92	102

COB ORDERING INFORMATION**Base Fixture Model**

LX2048-ZE3 (3X Array)

LED Rating (Lumens/CRI/Wattage)

08-90 = 810/90/15

Color Temperature

27= 2700K 30= 3000K

35= 3500K 40= 4000K

Optic

04 = 35mm/ 4° 12 = 35mm/ 12° 25 = 35mm/ 25°

Fitting/Controls (Dimming)

00-TE = Track Fitting & Trailing Edge (5%)

0E-ED = Track Fitting & Integral Dimmer (10%)

EF-TE = Security/Worklight Track Fitting & Trailing Edge (5%)

5A-TE = Canopy Fitting & Trailing Edge (5%)

5A-ED = Canopy Fitting & Integral Dimmer (10%)

5A-10 = Canopy Fitting & 0-10V (10%)

Voltage

120 = 120V 230 = 220-240V 277 = 277V

Finish

B = Black W = White S = Silver

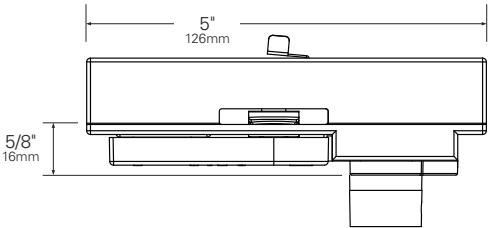
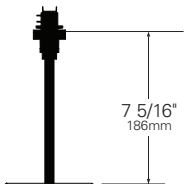
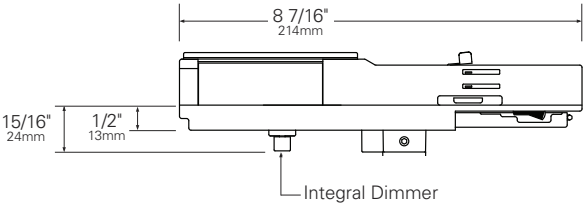
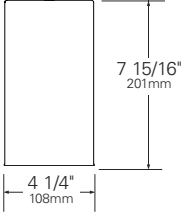
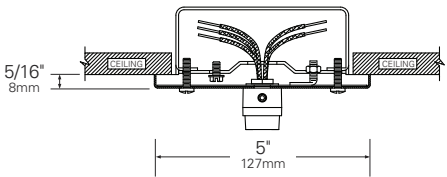
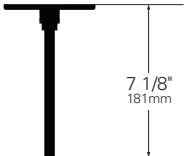
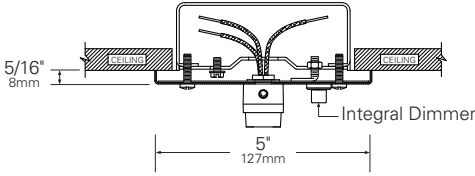
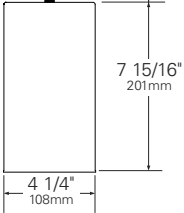
Example Part Number:

LX2048-ZE3 **08-90** **30** **04** - **00-TE** **120** **W**
FIXTURE MODEL LED RATING COLOR TEMP OPTIC FITTING DIMMING VOLTAGE FINISH

Other Options (Consult Factory):

- Custom Stems, specify length (4" - 48")
- Custom color, RAL palette

LX2048 • MOUNTING OPTIONS

FITTING	SIDE VIEW	STEM LENGTH VIEW
<p>00 Track Fitting/ EF Security/Worklight Fitting</p>		
<p>0E-ED Track Fitting with Integral Dimmer</p>		
<p>5A Canopy Fitting with TE and 0-10V Dimming</p>		
<p>5A-ED Canopy Fitting with Integral Dimmer</p>		

LX2048 • PERFORMANCE

The performance characteristics of the LumeLEX family of products can be customized based on the LED module and the optic selected.

Each available LED module is defined by five characteristics – the color rendering index (CRI), the correlated color temperature (CCT), the power that it uses (watts), its “available lumens,” and beam spread. Note that available lumens is a theoretical value that represents the light output of the module on its own – no fixture or optic attached.

In the LSI part number, the LED module is specified with a letter and a number that immediately follow the product series number. For example, in the part number LX2048-ZE308-903004-00-TE120W, the “ZE308-903004” represents an LED module with an output of 810 lumens, a CRI of 90, a power usage of 15 watts, a color temperature of 3000K, and a 4-degree beam.

Additional parameters, such as Center Beam Candle Power (CBCP), Delivered Lumens, and Efficiency (Lumens per Watt) are all shown in a table that is organized by LED module and optic combination.

CBCP = Center Beam Candle Power			
LED Module	Optic (Reflector)		
Lumens/CRI/Wattage	04	12	25
810/90/15	70,000	10,731	2,850

Delivered Lumens			
LED Module	Optic (Reflector)		
Lumens/CRI/Wattage	04	12	25
810/90/15	370	513	465

Efficiency = Lumens Per Watt			
LED Module	Optic (Reflector)		
Lumens/CRI/Wattage	04	12	25
810/90/15	25	24	31

Absolute range of values are +/- 10% of typical value, and are for all color temperatures

LED Module Lumens/CRI/Wattage Letter Code	810/90/15 08-90
Nominal Fixture Power (+/- 20%), Watts	15
Maximum Inrush Current, Amps	10
Minimum Power Factor	0.92

Inrush current is instantaneous current drawn by the LED only when fixture is initially powered on or instantaneously changed from full dim to full bright. For more details see Dimming Application Sheet, IS-0119.

LX2048 • PHOTOMETRIC DATA

LED RATING: 08-90

Beam Spread (minimum) **4°**
 Center Beam Candlepower **70,000**
 CRI **90+**

Beam Spread (minimum) **12°**
 Center Beam Candlepower **10,731**
 CRI **90+**

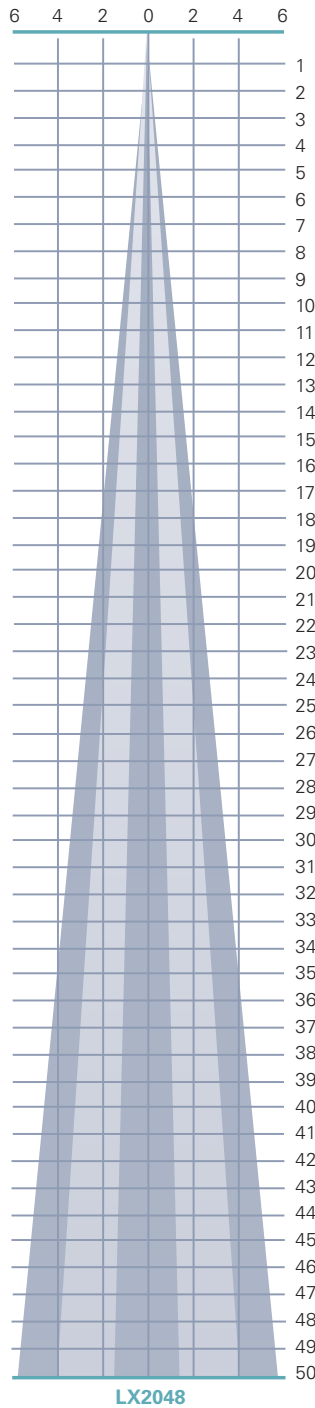
Beam Spread (minimum) **25°**
 Center Beam Candlepower **2850**
 CRI **90+**

LED RATING: 08-90

	25°	12°	4°
2850	10731	70000	
713	2683	17500	
317	1192	7778	
178	671	4375	
114	429	2800	
79	298	1944	
58	219	1429	
45	168	1094	
35	132	864	
29	107	700	
24	89	579	
20	75	486	
17	63	414	
15	55	357	
13	48	311	
11	42	273	
10	37	242	
9	33	216	
8	30	194	
7	27	175	
6	24	159	
6	22	145	
5	20	132	
5	19	122	
5	17	112	
4	16	104	
4	15	96	
4	14	89	
3	13	83	
3	12	78	
3	11	73	
3	10	68	
3	10	64	
2	9	61	
2	9	57	
2	8	54	
2	8	51	
2	7	48	
2	7	46	
2	7	44	
2	6	42	
2	6	40	
2	6	38	
1	6	36	
1	5	35	
1	5	33	
1	5	32	
1	5	30	
1	4	29	
1	4	28	

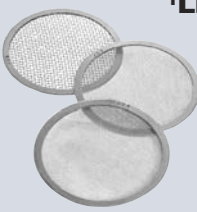

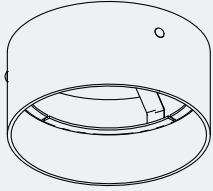
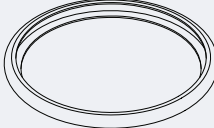
All Max. Footcandles at 0° Beam Axis

All Distances in Feet



Photometric Data based on LED Rating:
 08-90 (810 Lumens/90CRI/15watts)

LX2048 • ACCESSORIES

 <p>1 LIGHT BLOCKING SCREENS AA</p> <p>Stainless steel mesh screens used alone or in combinations will block from approximately 20% to 90% of the transmitted light without changing color temperature of the light.</p> <table border="1"> <thead> <tr> <th>No.</th> <th>% of Light Blocked</th> </tr> </thead> <tbody> <tr> <td>AA801S</td> <td>20</td> </tr> <tr> <td>AA802S</td> <td>30</td> </tr> <tr> <td>AA803S</td> <td>40</td> </tr> </tbody> </table>	No.	% of Light Blocked	AA801S	20	AA802S	30	AA803S	40	 <p>LOUVER HEX AA</p> <p>1/8" thick Hexcell black metal louver used for thin profile. Black finish.</p>
No.	% of Light Blocked								
AA801S	20								
AA802S	30								
AA803S	40								
 <p>HOOD-EXT-LX44-NXB-X</p> <p>Cylindrical metal hood controls spill light and glare. Specify finish.</p>	 <p>BACKER RING AAB</p> <p>Aluminum ring to hold gel when no other size AA accessories are being used. Black finish.</p>								

1. Figures vary based upon LED Module/Optic being used and relationship of screen(s) to LED Module/Optic and to each other.

LX2048 • GELS

As the foremost innovator in accent lighting, LSI offers a complete range of pre-cut Gels to modify the spread and color of light for the LumeLEX LED Series.



LumeLEX® SPREAD GELS

Size: AA (76 mm diameter)	Spread Gel
GEL-L1-AA	1° Spread Gel
GEL-L5-AA	5° Spread Gel
GEL-L10-AA	10° Spread Gel
GEL-L20-AA	20° Spread Gel
GEL-L30-AA	30° Spread Gel
GEL-L40-AA	40° Spread Gel
GEL-L60-AA	60° Spread Gel
GEL-L80-AA	80° Spread Gel
GEL-L30B5-AA	30° by 5° Spread Gel
GEL-L40B2-AA	40° by 0.2° Spread Gel
GEL-L60B1-AA	60° by 1° Spread Gel
GEL-L60B10-AA	60° by 10° Spread Gel
GEL-L75B45-AA	75° by 45° Spread Gel
GEL-L90B60-AA	90° by 60° Spread Gel
GEL-R101-AA	Beam Softener

LumeLEX® COLOR GELS

Size: AA (76 mm diameter)	Gel Color	% of Light Transmission	Size: AA (76 mm diameter)	Gel Color	% of Light Transmission
GEL-R2-AA	Bastard Amber	78	GEL-R312-AA	Canary	85
GEL-R7-AA	Pale Yellow	96	GEL-R3204-AA	Half Blue	52
GEL-R12-AA	Straw	88	GEL-R331-AA	Shell Pink	68
GEL-R13-AA	Straw Tint	78	GEL-R383-AA	Sapphire Blue	4
GEL-R14-AA	Medium Straw	68	GEL-R397-AA	Pale Grey	70
GEL-R21-AA	Golden Amber	43	GEL-R2001-AA	Storaro Red	12
GEL-R25-AA	Orange Red	14	GEL-R2004-AA	Storaro Green	15
GEL-R26-AA	Light Red	12	GEL-R2009-AA	Storaro Violet	3
GEL-R27-AA	Medium Red	4	GEL-R3202-AA	Full Blue	36
GEL-R57-AA	Lavender	24	GEL-R3206-AA	Third Blue	64
GEL-R62-AA	Booster Blue	54	GEL-R3216-AA	Eighth Blue (Boosts 3200K to 3300K)	81
GEL-R71-AA	Sea Blue	30	GEL-R3318-AA	Tough 1/8 Minusgreen	89
GEL-R72-AA	Azure Blue	44	GEL-R3410-AA	Roscocosun (1/8 CTO) (Reduces 5500K to 4900K)	92
GEL-R91-AA	Primary Green	7	GEL-R3441-AA	Full Straw (CTS)	50
GEL-R97-AA	Light Grey	50	GEL-R3443-AA	Quarter Straw (CTS)	81
GEL-R98-AA	Medium Grey	25	GEL-R4330-AA	CalColor 30 Cyan	63
GEL-R101-AA	Light Frost	N/A	GEL-R4415-AA	CalColor 15 Green	67
GEL-R104-AA	Tough Silk	N/A	GEL-R4490-AA	CalColor 90 Green	25
GEL-R119-AA	Lt. Hamburg Frost	N/A	GEL-R4860-AA	CalColor 60 Pink	46
GEL-R121-AA	Blue Diffusion	N/A	GEL-R4890-AA	CalColor 90 Pink	38
GEL-R305-AA	Rose Gold	75	GEL-R4930-AA	CalColor 30 Lavender	47

* Backer Ring AAB required to hold gels when no other rimmed "AA" accessories are used.

Type	ROSCO #	ROSCO Description	Resulting CCT
Amber Filters Lower CCT	3420	Double CTO	1531
	3407	Sun CTO	1999
	3401	Sun 85	2154
	3411	Sun 3/4 CTO	2154
	3408	Sun 1/2 CTO	2414
	3409	Sun 1/4 CTO	2664
	3410	Sun 1/8 CTO	2830
	3114	UV Filter	2930
Blue Filters Raise CCT	3220	Double Blue	N/A
	3202	Full Blue	4942
	3203	Three-Quarter Blue	4286
	3204	Half Blue	3769
	3206	Third Blue	3517
	3208	Quarter Blue	3297
	3216	Eighth Blue	3112