

# LX2088 • 120/277V • LED • DIM TO WARM • CONTROLTrack COMPATIBLE



**Remote phosphor technology produces high quality, high output light with a consistent, even field for the most demanding applications of museum and retail accent lighting.**

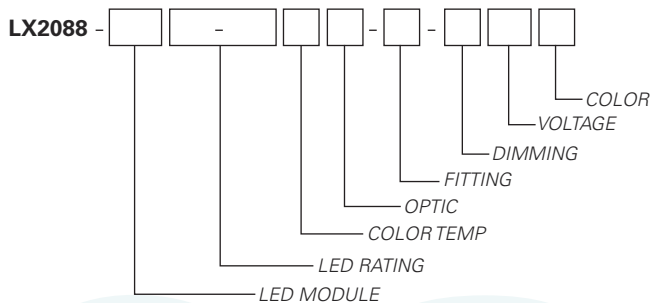
- Designed for a Dim to Warm module up to 40 Watts
- Natural dimming that approximates the black body curve
- System efficiency up to 52 lumens/watt
- 36,000 hour life to 70% lumen output, L70 at 95°F max ambient
- Halogen mimicking color from 3000K to 2000K
- Color Rendering Index (CRI) of 92 min. at all dimming settings
- Lumen output: 3000 Lumens
- Proprietary mixing optics for smooth even light
- Tested to LM79 and LM80 Protocols, TM-30 available
- 0-10V dimming allows for 2 zones of control on one circuit CONTROLTrack down to 10%
- Field interchangeable optics (15°- 50°) modify the beam spread distribution
- Integral polycarbonate accessory cartridge accepts up to three size-C LSI filters and accessories
- Lutron Ecosystem compatible with dimming to 1% (soft on/off)
- Finishes: LSI Black, White, and Silver
- Fixture weight: 8 lbs
- All modules are field replaceable
- Fixed center stem
- Maximum stem length is 12"

## FIXTURE PART NUMBERS

Please review the **ORDERING INFORMATION** section on the next page as well as the **MOUNTING OPTIONS** on page 3 to create a part number for each fixture that specifies the following:

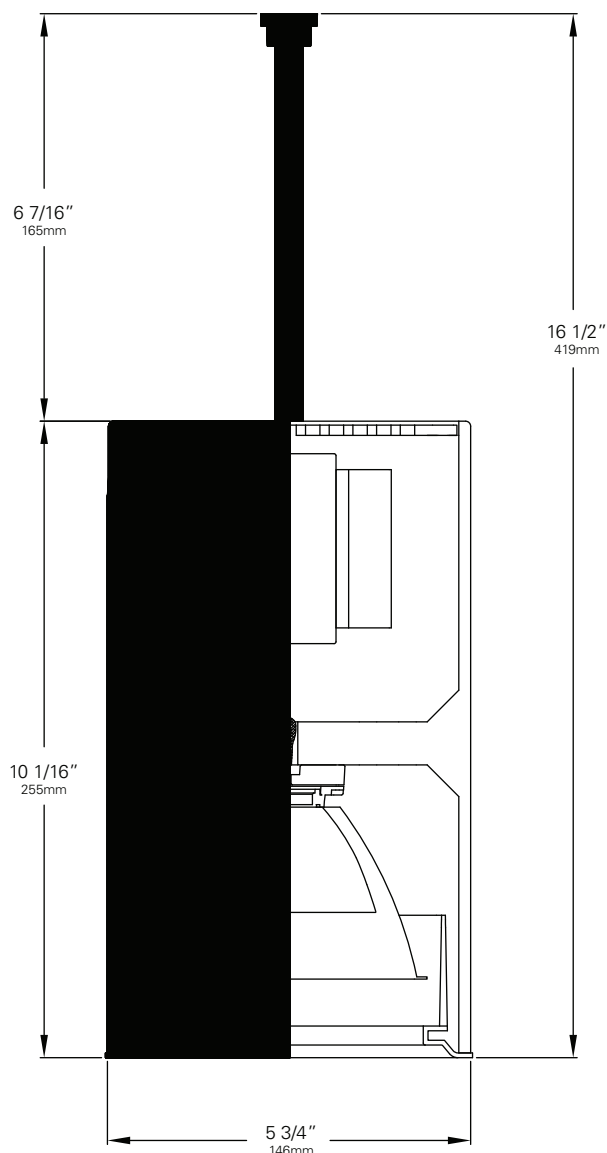
- LED Module
- LED Rating
- Color Temperature
- Optic - mm/beam spread
- Fitting/Controls (Dimming)
- Voltage
- Finish

### PART NUMBER



Example Part Number: **LX2088-D1530-92DWW2-CT1-10120W** is a fixture with a Dim to Warm LED module, 3000 Lumen/92 CRI/40 Watt LED rating, 3000-2000K Color Temperature, 72mm 20° Color Mixing Optic, CT1 CONTROLTrack fitting with DMX Address knobs and 0-10V compatible control gear, 120V and a White finish.

# LX2088 • 120/277V • LED • DIM TO WARM • CONTROLTrack COMPATIBLE



## Chromaticity Specifications

LED	R <sub>a</sub> -CRI	R <sub>f</sub> -Fidelity	R <sub>g</sub> -Gamut Area
D15	92	93	104

## DIM TO WARM ORDERING INFORMATION

### Base Fixture Model

LX2088-D15

### LED Rating (Lumens/CRI/Wattage)

30-92 = 3000/92/40

### Color Temperature

DW= 3000K – 2000K

### Optic

- W2 = 72mm/ 20° Color Mixing
- W3 = 72mm/ 30° Color Mixing
- W4 = 72mm/ 40° Color Mixing
- W5 = 72mm/ 50° Color Mixing
- J1 = 111mm/ 15°
- J3 = 111mm/ 30°
- J4 = 111mm/ 40°

### Fitting/Controls (Dimming)

- CT1-10 = CONTROLTrack Fitting & 0-10V (10%)
- CT1-L3 = CONTROLTrack Fitting & Lutron EcoSystem (1% Soft On/Off)
- 5A-10 = Canopy Fitting & 0-10V (10%)

### Voltage

120 = 120V     230 = 220-240V     277 = 277V

### Finish

B = Black     W = White     S = Silver

### Example Part Number:

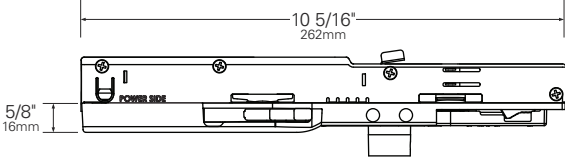
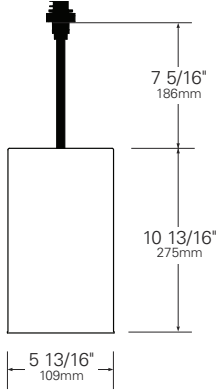
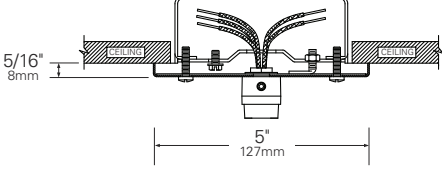
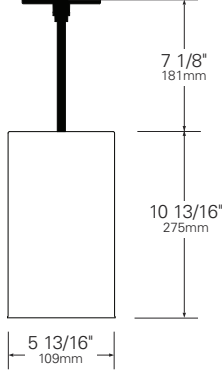
**LX2088-D15**   **30-92**   **DW**   **W2** - **CT1-10**   **120**   **W**

FIXTURE MODEL    LED RATING    COLOR TEMP    OPTIC    FITTING/ DIMMING    VOLTAGE    FINISH

### Other Options (Consult Factory):

- Custom Stems, specify length (4" - 12")
- Custom color, RAL palette

# LX2088 • MOUNTING OPTIONS

FITTING	SIDE VIEW	STEM LENGTH VIEW
<p><b>CT1 CONTROLTrack Fitting</b></p>	 <p>10 5/16" 262mm</p> <p>5/8" 16mm</p>	 <p>7 5/16" 186mm</p> <p>10 13/16" 275mm</p> <p>5 13/16" 109mm</p>
<p><b>5A Canopy Fitting with 0-10V Dimming</b></p>	 <p>5/16" 8mm</p> <p>5" 127mm</p>	 <p>7 1/8" 181mm</p> <p>10 13/16" 275mm</p> <p>5 13/16" 109mm</p>

# LX2088 • PERFORMANCE

The performance characteristics of the Dim to Warm LumeLEX family of products can be customized based on the optic (reflector) selected.

The behavior of the Dim to Warm modules links the color of the light to the dimmed output of the fixture just like a halogen or incandescent source. Therefore the four characteristics defining the color — the color rendering index (CRI), the correlated color temperature (CCT) range, the power that it uses (watts), and its “available lumens” — are linked to the dim setting. Note that available lumens is a theoretical value that represents the light output of the module on its own – no fixture or optic attached. Also note that the CRI of this fixture is a minimum of 92 at any dimming setting.

In the LSI part number, the LED module is specified with a letter and a number that immediately follow the product series number. For example, in the part number LX2088-D1530-92DWW2-CT1-10120B, the “D1530-92DW” represents a Dim to Warm LED module with an output of 3000 lumens, a CRI of 92, a power usage of 40 watts and a color temperature range of 3000K – 2000K that is tied to the dimming setting.

The available optics (reflectors) are characterized by size, beam angle, and in some cases the characteristics of the field angle (narrow or wide). The optic is specified by the two characters that follow the LED designation in the part number. For example, the “W2” in LX2088-D1530-92DWW2-CT1-10120B is a 72mm diameter optic that has a 20-Degree beam.

Additional parameters, such as Center Beam Candle Power (CBCP), Delivered Lumens, and Efficiency (Lumens per Watt) are all shown in a table that is organized by LED module and optic combination.

CBCP = Center Beam Candle Power				
LED Module	Optic (Reflector)			
Lumens/CRI/Wattage	W2	W3	W4	W5
3000/92/40	11693	6683	4759	3646

Delivered Lumens				
LED Module	Optic (Reflector)			
Lumens/CRI/Wattage	W2	W3	W4	W5
3000/92/40	2012	1928	1950	2076

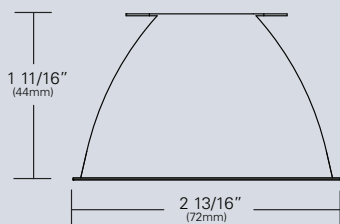
Efficiency = Lumens Per Watt				
LED Module	Optic (Reflector)			
Lumens/CRI/Wattage	W2	W3	W4	W5
3000/92/40	50	48	49	52

*Absolute range of values are +/- 10% of typical value, and are for all color temperatures*

LED Module Lumens/CRI/Wattage SKU Code	3000/92/40 30-92
Nominal Fixture Power (+/- 20%), Watts	40
Maximum Inrush Current, Amps	10
Minimum Power Factor	0.92

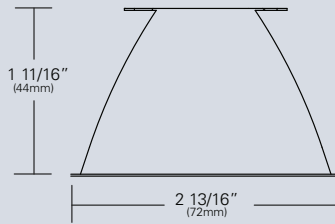
*Inrush current is instantaneous current drawn by the LED only when fixture is initially powered on or instantaneously changed from full dim to full bright. For more details see Dimming Application Sheet, IS-0119.*

# LX2088 • OPTICS



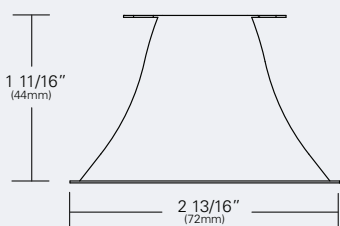
## LX-W20-REF-CLR (W2) (72mm/20°)

Faceted reflectively coated metal optic. Tool-less twist and lock installation. Aluminized finish.



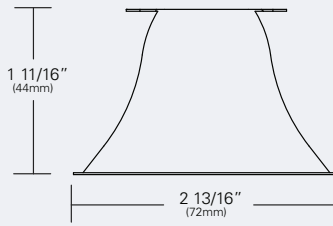
## LX-W30-REF-CLR (W3) (72mm/30°)

Faceted reflectively coated metal optic. Tool-less twist and lock installation. Aluminized finish.



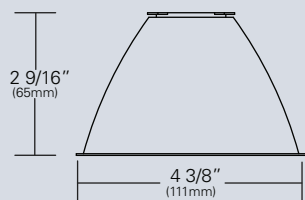
## LX-W40-REF-CLR (W4) (72mm/40°)

Faceted reflectively coated metal optic. Tool-less twist and lock installation. Aluminized finish.



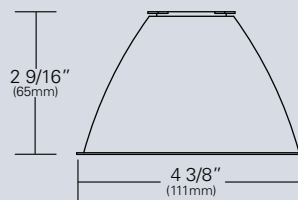
## LX-W50-REF-CLR (W5) (72mm/50°)

Faceted reflectively coated metal optic. Tool-less twist and lock installation. Aluminized finish.



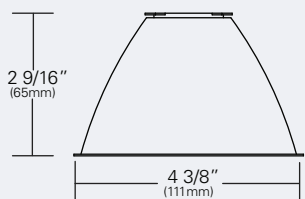
## LX-J10-REF-CLR (J1) (111mm/15°)

Computer designed polycarbonate specular optic. Tool-less twist and lock installation. Aluminized Finish.



## LX-J30-REF-CLR (J3) (111mm/30°)

Computer designed polycarbonate specular optic. Tool-less twist and lock installation. Aluminized Finish.



## LX-J40-REF-CLR (J4) (111mm/40°)

Computer designed polycarbonate specular optic. Tool-less twist and lock installation. Aluminized Finish.

# LX2088 • PHOTOMETRIC DATA

**LED RATING: 30-92**

**W2-72mm DIA Optic**

Beam Spread (minimum) **20°**  
Center Beam Candlepower **11693**  
CRI **92**

**W3-72mm DIA Optic**

Beam Spread (minimum) **30°**  
Center Beam Candlepower **6683**  
CRI **92**

**W4-72mm DIA Optic**

Beam Spread (minimum) **40°**  
Center Beam Candlepower **4759**  
CRI **92**

**W5-72mm DIA Optic**

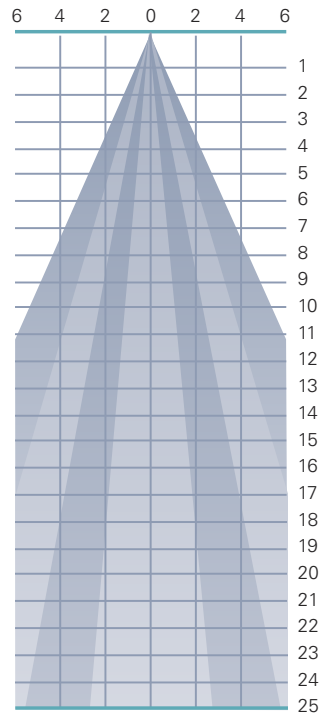
Beam Spread (minimum) **50°**  
Center Beam Candlepower **3646**  
CRI **92**

**LED RATING: 30-92**

All Max. Footcandles at 0° Beam Axis

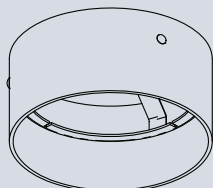
	W5	W4	W3	W2
1	3646	4759	6683	11693
2	912	1190	1671	2923
3	405	529	743	1299
4	228	297	418	731
5	146	190	267	468
6	101	132	186	325
7	74	97	136	239
8	57	74	104	183
9	45	59	83	144
10	36	48	67	117
11	30	39	55	97
12	25	33	46	81
13	22	28	40	69
14	19	24	34	60
15	16	21	30	52
16	14	19	26	46
17	13	16	23	40
18	11	15	21	36
19	10	13	19	32
20	9	12	17	29
21	8	11	15	27
22	8	10	14	24
23	7	9	13	22
24	6	8	12	20
25	6	8	11	19

**All Distances in Feet**



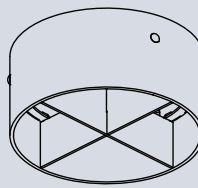
Photometric Data based on LED Rating: 30-92 (3000 Lumens/92CRI/40watts)

# LX2088 • ACCESSORIES



### HOOD-EXT-LX84-NXB-X

Cylindrical metal hood controls spill light and glare. Does not include cross baffle. Specify finish.



### HOOD-EXT-LX84-WXB-X

Cylindrical metal hood controls spill light and glare. Includes cross baffle. Specify finish.



### SPREAD LENSES AND BEAM SOFTENER

No.	Description	% of Light Transmission
C990	Spread Lens/Clear	83 (5°X 50°)
C992	Spread Lens/Clear	85 (5°X 30°)
C995	Spread Lens/Clear	83 (50°X 50°)
C996	Spread Lens/Clear	86 (45°X 50°)
C998	Beam Softener/Clear	80 (45°X 45°)



### <sup>1</sup>LIGHT BLOCKING SCREENS C

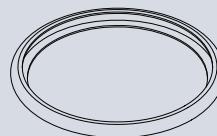
Stainless steel mesh screens used alone or in combinations will block from approximately 20% to 90% of the transmitted light without changing color temperature of the light.

No.	% of Light Blocked
C801S	20
C802S	30
C803S	40



### LOUVER HEX C

1/8" thick Hexcell black metal louver used for thin profile.



### BACKER RING CB

Aluminum ring to hold gel when no other size C accessories are being used. Black finish.

1. Figures vary based upon LED Module/Optic being used and relationship of screen(s) to LED Module/Optic and to each other.

# LX2088 • GELS

As the foremost innovator in accent lighting, LSI offers a complete range of pre-cut Gels to modify the spread and color of light for the LumeLEX LED Series.



## LumeLEX® SPREAD GELS

Size: C (121 mm diameter)	Spread Gel
GEL-L1-C	1° Spread Gel
GEL-L5-C	5° Spread Gel
GEL-L10-C	10° Spread Gel
GEL-L20-C	20° Spread Gel
GEL-L30-C	30° Spread Gel
GEL-L40-C	40° Spread Gel
GEL-L60-C	60° Spread Gel
GEL-L80-C	80° Spread Gel
GEL-L30B5-C	30° by 5° Spread Gel
GEL-L40B2-C	40° by 0.2° Spread Gel
GEL-L60B1-C	60° by 1° Spread Gel
GEL-L60B10-C	60° by 10° Spread Gel
GEL-L75B45-C	75° by 45° Spread Gel
GEL-L90B60-C	90° by 60° Spread Gel
GEL-R101-C	Beam Softener

\* Backer Ring CB required to hold gels when no other rimmed "C" accessories are used.