

LX2088 • 120/277V • LED • DIM TO WARM



Remote phosphor technology produces high quality, high output light with a consistent, even field for the most demanding applications of museum and retail accent lighting.

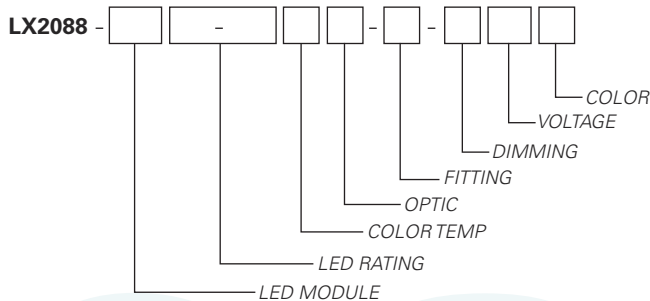
- Designed for a Dim to Warm module up to 40 Watts
- Natural dimming that approximates the black body curve
- System efficiency up to 52 lumens/watt
- 36,000 hour life to 70% lumen output, L70 at 95°F max ambient
- Halogen mimicking color from 3000K to 2000K
- Color Rendering Index (CRI) of 92 min. at all dimming settings
- Lumen output: 3000 Lumens
- Proprietary mixing optics for smooth even light
- Tested to LM79 and LM80 Protocols, TM-30 available
- Hidden integral electronic driver compatible with various dimmers down to 5%
- Field interchangeable optics (15°- 50°) modify the beam spread distribution
- Integral polycarbonate accessory cartridge accepts up to three size-C LSI filters and accessories
- Integral dimmer available
- Can be specified as Lutron-LTE (2 wire forward phase)
- Lutron Ecosystem compatible with dimming to 1% (soft on/off)
- Finishes: LSI Black, White, and Silver
- Fixture weight: 8 lbs
- All modules are field replaceable
- Fixed center stem
- Maximum stem length is 12"

FIXTURE PART NUMBERS

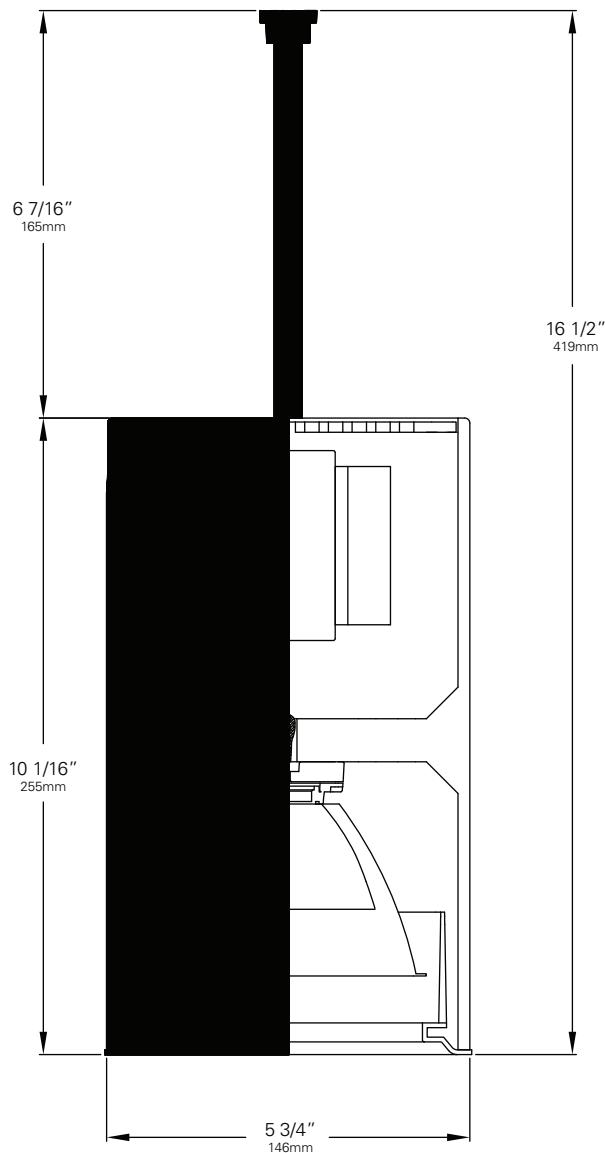
Please review the **ORDERING INFORMATION** section on the next page as well as the **MOUNTING OPTIONS** on page 3 to create a part number for each fixture that specifies the following:

- LED Module
- LED Rating
- Color Temperature
- Optic - mm/beam spread
- Fitting/Controls (Dimming)
- Voltage
- Finish

PART NUMBER



Example Part Number: **LX2088-D1530-92DWW2-00-TE120W** is a fixture with a Dim to Warm LED module, 3000 Lumen/92 CRI/40 Watt LED rating, 3000-2000K Color Temperature, 72mm 20° Color Mixing Optic, 00 Track fitting with Trailing Edge group dimming capability, 120V and a White finish.

LX2088 • 120/277V • LED • DIM TO WARM**Chromaticity Specifications**

LED	R _a -CRI	R _f -Fidelity	R _g -Gamut Area
D15	92	93	104

DIM TO WARM ORDERING INFORMATION**Base Fixture Model**

LX2088-D15

LED Rating (Lumens/CRI/Wattage)

30-92 = 3000/92/40

Color Temperature

DW= 3000K – 2000K

Optic

W2 = 72mm/ 20° Color Mixing

W3 = 72mm/ 30° Color Mixing

W4 = 72mm/ 40° Color Mixing

W5 = 72mm/ 50° Color Mixing

J1 = 111mm/ 15°

J3 = 111mm/ 30°

J4 = 111mm/ 40°

Fitting/Controls (Dimming)

00-TE = Track Fitting & Trailing Edge (5%)

00-L2 = Track Fitting & Lutron 2 Wire Dimming (1%) (120V Only)

0E-ED = Track Fitting with Integral Dimmer (10%)

EF-TE = Security/Worklight Track Fitting & Trailing Edge (5%)

5A-TE = Canopy Fitting & Trailing Edge (5%)

5A-ED = Canopy Fitting with Integral Dimmer (10%)

5A-10 = Canopy Fitting & 0-10V (10%)

5A-L2 = Canopy Fitting & Lutron 2 Wire Dimming (1%) (120V Only)

5A-L3 = Canopy Fitting & Lutron EcoSystem (1% Soft On/Off)

Voltage

120 = 120V 230 = 220-240V 277 = 277V

Finish

B = Black W = White S = Silver

Example Part Number:

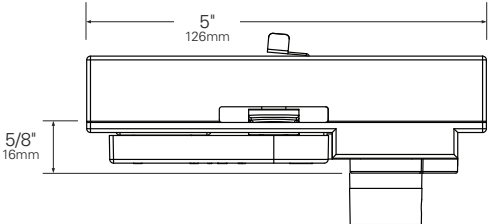
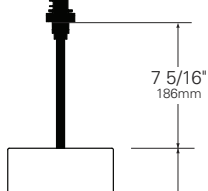
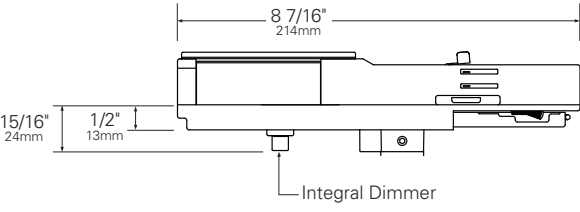
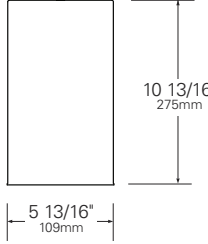
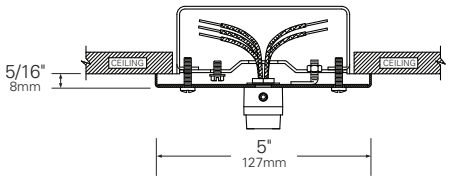

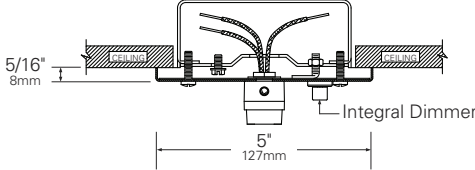
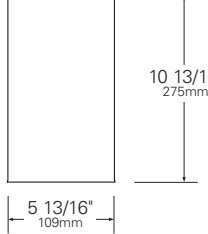
LX2088-D15 30-92 DW W2 - 00-TE 120 W

FIXTURE MODEL LED RATING COLOR TEMP OPTIC FITTING/ DIMMING VOLTAGE FINISH

Other Options (Consult Factory):

- Custom Stems, specify length (4" - 12")
- Custom color, RAL palette

LX2088 • MOUNTING OPTIONS

FITTING	SIDE VIEW	STEM LENGTH VIEW
<p>00 Track Fitting or EF Security/Worklight Fitting (Fixed on)</p>		
<p>0E-ED Track Fitting with Integral Dimmer</p>	 <p>Integral Dimmer</p>	
<p>5A Canopy Fitting with TE, 0-10V, L2, and L3 Dimming</p>		
<p>5A-ED Canopy Fitting with Integral Dimmer</p>	 <p>Integral Dimmer</p>	

LX2088 • PERFORMANCE

The performance characteristics of the Dim to Warm LumeLEX family of products can be customized based on the optic (reflector) selected.

The behavior of the Dim to Warm modules links the color of the light to the dimmed output of the fixture just like a halogen or incandescent source. Therefore the four characteristics defining the color — the color rendering index (CRI), the correlated color temperature (CCT) range, the power that it uses (watts), and its “available lumens” — are linked to the dim setting. Note that available lumens is a theoretical value that represents the light output of the module on its own – no fixture or optic attached. Also note that the CRI of this fixture is a minimum of 92 at any dimming setting.

In the LSI part number, the LED module is specified with a letter and a number that immediately follow the product series number. For example, in the part number LX2088-D1530-92DWW2-00-TE120B, the “D1530-92DW” represents a Dim to Warm LED module with an output of 3000 lumens, a CRI of 92, a power usage of 40 watts and a color temperature range of 3000K – 2000K that is tied to the dimming setting.

The available optics (reflectors) are characterized by size, beam angle, and in some cases the characteristics of the field angle (narrow or wide). The optic is specified by the two characters that follow the LED designation in the part number. For example, the “W2” in LX2088-D1530-92DWW2-00-TE120B is a 72mm diameter optic that has a 20-Degree beam.

Additional parameters, such as Center Beam Candle Power (CBCP), Delivered Lumens, and Efficiency (Lumens per Watt) are all shown in a table that is organized by LED module and optic combination.

CBCP = Center Beam Candle Power				
LED Module	Optic (Reflector)			
Lumens/CRI/Wattage	W2	W3	W4	W5
3000/92/40	11693	6683	4759	3646

Delivered Lumens				
LED Module	Optic (Reflector)			
Lumens/CRI/Wattage	W2	W3	W4	W5
3000/92/40	2012	1928	1950	2076

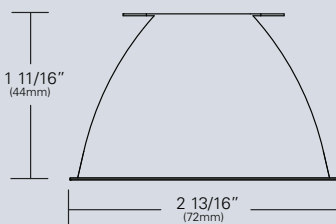
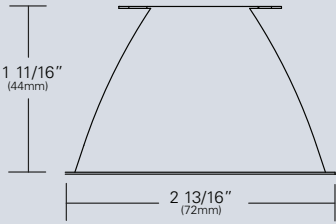
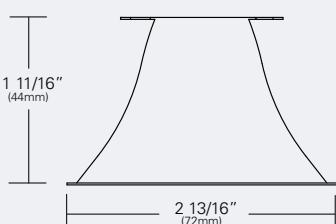
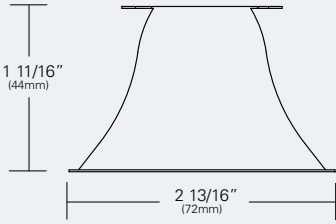
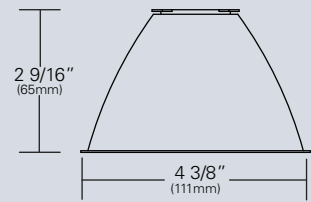
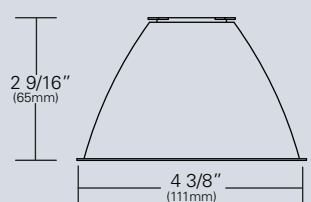
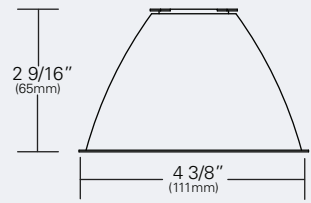
Efficiency = Lumens Per Watt				
LED Module	Optic (Reflector)			
Lumens/CRI/Wattage	W2	W3	W4	W5
3000/92/40	50	48	49	52

Absolute range of values are +/- 10% of typical value, and are for all color temperatures

LED Module Lumens/CRI/Wattage SKU Code	3000/92/40 30-92
Nominal Fixture Power (+/- 20%), Watts	40
Maximum Inrush Current, Amps	10
Minimum Power Factor	0.92

Inrush current is instantaneous current drawn by the LED only when fixture is initially powered on or instantaneously changed from full dim to full bright. For more details see Dimming Application Sheet, IS-0119.

LX2088 • OPTICS

 <p>LX-W20-REF-CLR (W2) (72mm/20°) Faceted reflectively coated metal optic. Tool-less twist and lock installation. Aluminized finish.</p>	 <p>LX-W30-REF-CLR (W3) (72mm/30°) Faceted reflectively coated metal optic. Tool-less twist and lock installation. Aluminized finish.</p>
 <p>LX-W40-REF-CLR (W4) (72mm/40°) Faceted reflectively coated metal optic. Tool-less twist and lock installation. Aluminized finish.</p>	 <p>LX-W50-REF-CLR (W5) (72mm/50°) Faceted reflectively coated metal optic. Tool-less twist and lock installation. Aluminized finish.</p>
 <p>LX-J10-REF-CLR (J1) (111mm/15°) Computer designed polycarbonate specular optic. Tool-less twist and lock installation. Aluminized Finish.</p>	 <p>LX-J30-REF-CLR (J3) (111mm/30°) Computer designed polycarbonate specular optic. Tool-less twist and lock installation. Aluminized Finish.</p>
 <p>LX-J40-REF-CLR (J4) (111mm/40°) Computer designed polycarbonate specular optic. Tool-less twist and lock installation. Aluminized Finish.</p>	

LX2088 • PHOTOMETRIC DATA

LED RATING: 30-92

W2-72mm DIA Optic

Beam Spread (minimum) **20°**
Center Beam Candlepower **11693**
CRI **92**

W3-72mm DIA Optic

Beam Spread (minimum) **30°**
Center Beam Candlepower **6683**
CRI **92**

W4-72mm DIA Optic

Beam Spread (minimum) **40°**
Center Beam Candlepower **4759**
CRI **92**

W5-72mm DIA Optic

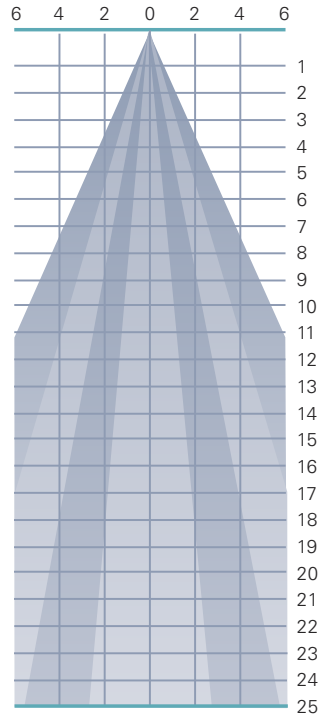
Beam Spread (minimum) **50°**
Center Beam Candlepower **3646**
CRI **92**

LED RATING: 30-92

All Max. Footcandles at 0° Beam Axis

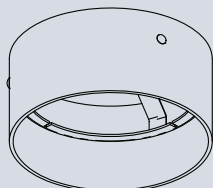
	W5	W4	W3	W2
3646	4759	6683	11693	
912	1190	1671	2923	
405	529	743	1299	
228	297	418	731	
146	190	267	468	
101	132	186	325	
74	97	136	239	
57	74	104	183	
45	59	83	144	
36	48	67	117	
30	39	55	97	
25	33	46	81	
22	28	40	69	
19	24	34	60	
16	21	30	52	
14	19	26	46	
13	16	23	40	
11	15	21	36	
10	13	19	32	
9	12	17	29	
8	11	15	27	
8	10	14	24	
7	9	13	22	
6	8	12	20	
6	8	11	19	

All Distances in Feet



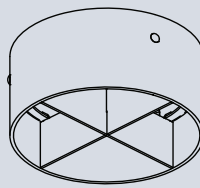
Photometric Data based on LED Rating: 30-92 (3000 Lumens/92CRI/40watts)

LX2088 • ACCESSORIES



HOOD-EXT-LX84-NXB-X

Cylindrical metal hood controls spill light and glare. Does not include cross baffle. Specify finish.



HOOD-EXT-LX84-WXB-X

Cylindrical metal hood controls spill light and glare. Includes cross baffle. Specify finish.



SPREAD LENSES AND BEAM SOFTENER

No.	Description	% of Light Transmission
C990	Spread Lens/Clear	83 (5°X 50°)
C992	Spread Lens/Clear	85 (5°X 30°)
C995	Spread Lens/Clear	83 (50°X 50°)
C996	Spread Lens/Clear	86 (45°X 50°)
C998	Beam Softener/Clear	80 (45°X 45°)



¹LIGHT BLOCKING SCREENS C

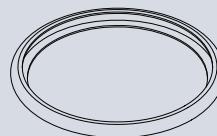
Stainless steel mesh screens used alone or in combinations will block from approximately 20% to 90% of the transmitted light without changing color temperature of the light.

No.	% of Light Blocked
C801S	20
C802S	30
C803S	40



LOUVER HEX C

1/8" thick Hexcell black metal louver used for thin profile.



BACKER RING CB

Aluminum ring to hold gel when no other size C accessories are being used. Black finish.

1. Figures vary based upon LED Module/Optic being used and relationship of screen(s) to LED Module/Optic and to each other.

LX2088 • GELS

As the foremost innovator in accent lighting, LSI offers a complete range of pre-cut Gels to modify the spread and color of light for the LumeLEX LED Series.



LumeLEX® SPREAD GELS

Size: C (121 mm diameter)	Spread Gel
GEL-L1-C	1° Spread Gel
GEL-L5-C	5° Spread Gel
GEL-L10-C	10° Spread Gel
GEL-L20-C	20° Spread Gel
GEL-L30-C	30° Spread Gel
GEL-L40-C	40° Spread Gel
GEL-L60-C	60° Spread Gel
GEL-L80-C	80° Spread Gel
GEL-L30B5-C	30° by 5° Spread Gel
GEL-L40B2-C	40° by 0.2° Spread Gel
GEL-L60B1-C	60° by 1° Spread Gel
GEL-L60B10-C	60° by 10° Spread Gel
GEL-L75B45-C	75° by 45° Spread Gel
GEL-L90B60-C	90° by 60° Spread Gel
GEL-R101-C	Beam Softener

* Backer Ring CB required to hold gels when no other rimmed "C" accessories are used.