

# LZ

 • 120/277V • LED • COB


## These compact spotlights offer zoom functionality to easily adjust beam spreads from 5° to 50°.

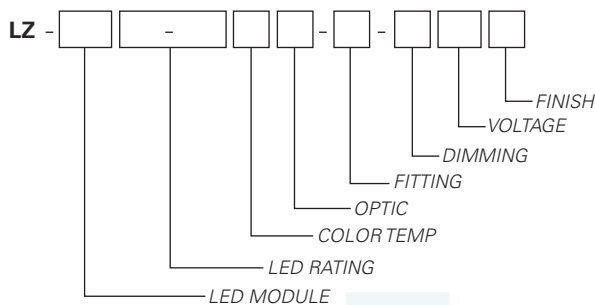
- Adjustable 5°- 50° optic produces up to 30,000 CBCP with 1850 lumens at 20 watts
- System efficiency up to 53 lumens/watt
- Exceeds ANSI specifications by maintaining extremely tight color consistency over the life of the fixture
- Tested to LM79 and LM80 Protocols
- 50,000 hour life to 70% lumen output, L<sub>70</sub> at 95°F max ambient
- Hidden integral electronic driver, compatible with trailing edge electronic low voltage dimmers (dimnable to 10%)
- Color Rendering Index (CRI) 80, 90
- Color consistency, 2 MacAdam ellipses
- Removable accessory cartridge for any double combination of size-ZM LSI filters and accessories
- No UV or IR emissions; no mercury or lead
- On/off safety switch (on most mounting types)
- Sturdy die-cast aluminum housing
- Integrated latch on barrel to lock focus in place
- Horizontal and vertical aiming is both self and tool-locking via Allen key
- Finishes: LSI Black, White, and Silver
- Fixture weight: 4 lbs

## FIXTURE PART NUMBERS

Please review the **ORDERING INFORMATION** section on the next page as well as the **MOUNTING OPTIONS** on page 3 to create a part number for each fixture that specifies the following:

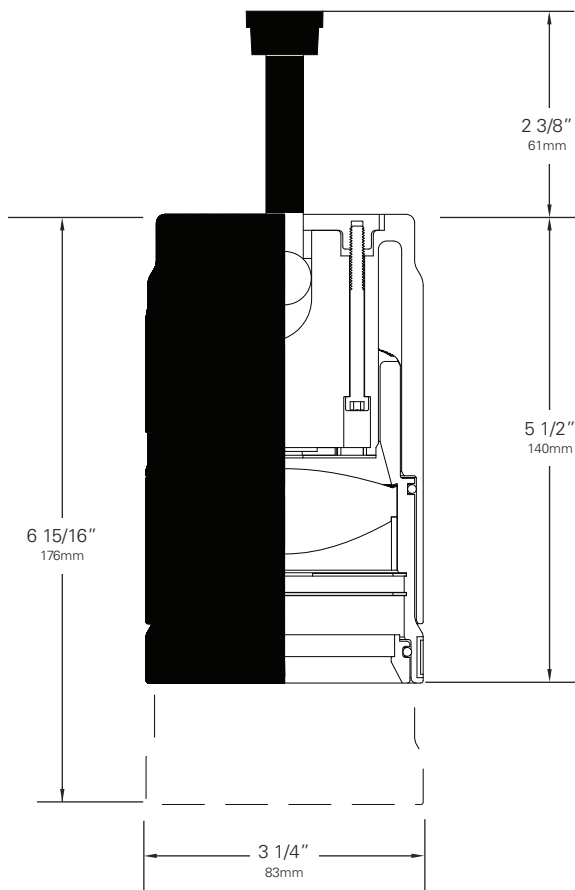
- LED Module
- LED Rating
- Color Temperature
- Optic
- Fitting
- Dimming
- Voltage
- Finish

### PART NUMBER



Example Part Number: **LZ-C0619-8030ZM-PT2-TE120W** is a fixture with a single LED module, 1850 Lumen/80 CRI/5 Watt LED rating, 3000°K Color Temperature, 6mm Adjustable Optic, PT2 POWERTrack fitting with Trailing Edge group dimming capability, 120V and a White finish.

LZ • 120/277V • LED • COB

**DRIVER TYPE (Electronic)****TE Dimmer**

|                        |      |
|------------------------|------|
| Input Power (A) - 120V | 0.16 |
| Input Power (A) - 277V | 0.07 |
| Wattage                | 20   |
| Power Factor - 115V    | 0.92 |

**LED ORDERING INFORMATION****Base Fixture Model**
 LZ-C06 (6mm COB)
**LED Rating (Lumens/CRI/Wattage)**
 19-80 = 1850/80/20

 15-90 = 1500/90/20
**Color Temperature**
 27 = 2700K

 30 = 3000K

 35 = 3500K

 40 = 4000K
**Optic**
 ZM = 5° - 50° Adjustable Optic
**Fitting/Controls (Dimming)**
 PT2-TE = POWERTrack Fitting & Trailing Edge (10%)

\*Consult factory for other mounting options

**Voltage**
 120 = 120V     230 = 220-240V     277 = 277V
**Finish**
 B = Black     W = White     S = Silver
**Example Part Number:**

**LZ-C06**    **19-80**    **30**    **ZM- PT2-TE**    **120**    **W**  
FIXTURE MODEL    LED RATING    COLOR TEMP    OPTIC    FITTING/ DIMMING    VOLTAGE    FINISH

**Other Options (Consult Factory):**

- Custom Stems, specify length (4" - 48")
- Custom Finish, RAL palette

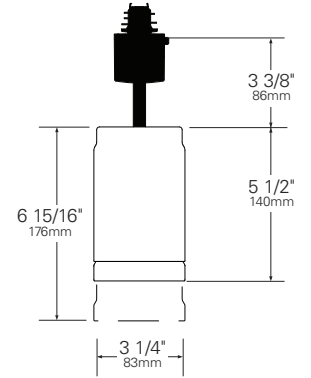
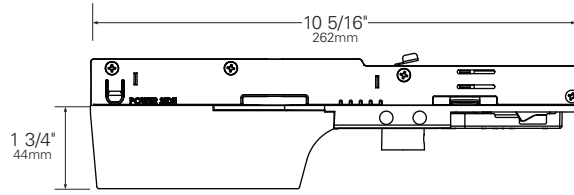
# LZ • MOUNTING OPTIONS

**FITTING**

**SIDE VIEW**

**STEM LENGTH VIEW**

**PT2 POWERTrack  
Fitting**



# LZ • PERFORMANCE

The performance characteristics of the LZ Zoom family of products can be customized based on the LED module and the optic selected.

Each available LED module is defined by four characteristics – the color rendering index (CRI), the correlated color temperature (CCT), the power that it uses (watts), its “available lumens” and beam spread. Note that available lumens is a theoretical value that represents the light output of the module on its own – no fixture or optic attached.

In the LSI part number, the LED module is specified with a letter and a number that immediately follow the product series number. For example, in the part number LZ-C0619-8030ZM-PT2-TE120W, the “C0619-8030ZM” represents an LED module with an output of 1850 lumens, a CRI of 80, a power usage of 20 watts, color temperature of 3000K and a 5° - 50° adjustable degree beam.

Additional parameters, such as Center Beam Candle Power (CBCP), Delivered Lumens, and Efficiency (Lumens per Watt) are all shown in a table that is organized by LED module and optic combination.

| CBCP = Center Beam Candle Power |                   |       |       |
|---------------------------------|-------------------|-------|-------|
| LED Module                      | Optic (Reflector) |       |       |
| Lumens/CRI/Wattage              | 5°*               | 25°*  | 50°*  |
| 1850/80/20                      | 30,000            | 4,500 | 1,500 |
| 1500/90/20                      | 24,300            | 3,600 | 1,200 |

| Delivered Lumens   |                   |      |       |
|--------------------|-------------------|------|-------|
| LED Module         | Optic (Reflector) |      |       |
| Lumens/CRI/Wattage | 5°*               | 25°* | 50°*  |
| 1850/80/20         | 440               | 660  | 1,050 |
| 1500/90/20         | 350               | 530  | 850   |

| Efficiency = Lumens Per Watt |                   |      |      |
|------------------------------|-------------------|------|------|
| LED Module                   | Optic (Reflector) |      |      |
| Lumens/CRI/Wattage           | 5°*               | 25°* | 50°* |
| 1850/80/20                   | 22                | 33   | 53   |
| 1500/90/20                   | 18                | 27   | 43   |

\*Preliminary Data

| LED Module<br>Lumens/CRI/Wattage<br>SKU Code | 1850/80/20<br>1500/90/20 |
|--|--------------------------|
| Nominal Fixture Power<br>(+/- 20%), Watts    | 20                       |
| Maximum Inrush Current<br>Amps               | 10                       |
| Minimum Power Factor                         | 0.92                     |

*Inrush current is instantaneous current drawn by the LED only when fixture is initially powered on or instantaneously changed from full dim to full bright. For more details see Dimming Application Sheet, IS-0119.*

# LZ • PHOTOMETRIC DATA

**PHOTOMETRIC DATA**

**LZ Zoom Series**

**19-80 LED Rating**

Beam Spread (minimum) **5°**  
 Center Beam Candlepower **30000\***  
 CRI **80**

**LZ Zoom Series**

**19-80 LED Rating**

Beam Spread (minimum) **25°**  
 Center Beam Candlepower **4500\***  
 CRI **80**

**LZ Zoom Series**

**19-80 LED Rating**

Beam Spread (minimum) **50°**  
 Center Beam Candlepower **1500\***  
 CRI **80**

**LZ Zoom Series**

**15-90 LED Rating**

Beam Spread (minimum) **5°**  
 Center Beam Candlepower **24300\***  
 CRI **90**

**LZ Zoom Series**

**15-90 LED Rating**

Beam Spread (minimum) **25°**  
 Center Beam Candlepower **3600\***  
 CRI **90**

**LZ Zoom Series**

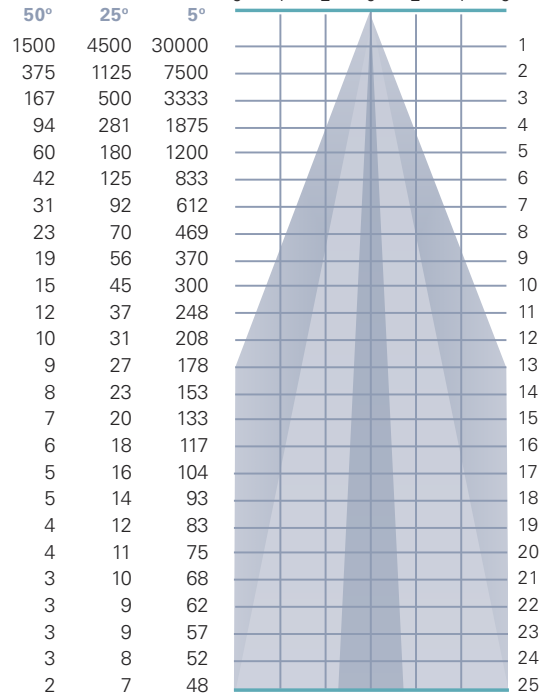
**15-90 LED Rating**

Beam Spread (minimum) **50°**  
 Center Beam Candlepower **1200\***  
 CRI **90**

\*Preliminary Data

**LED Rating: 19-80**

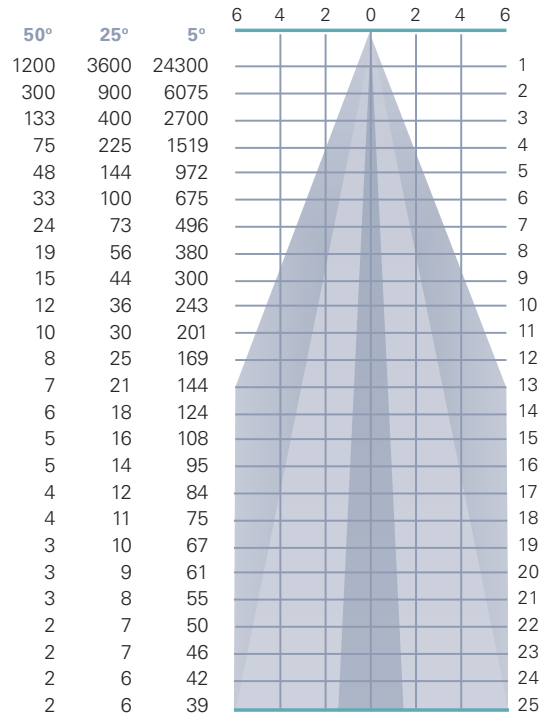
**All Distances in Feet**



Photometric Data based on LED Rating: 19-80 (1850 Lumens/80CRI/20Watts)

**LED Rating: 15-90**

**All Distances in Feet**



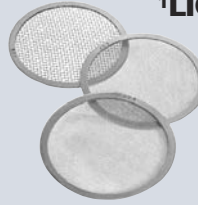
Photometric Data based on LED Rating: 15-90 (1500 Lumens/90CRI/20Watts)

**LZ** • ACCESSORIES



**LOUVER HEX ZM**

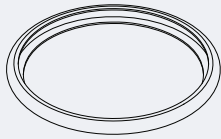
1/8" thick Hexcell black metal louver used for thin profile.



**<sup>1</sup>LIGHT BLOCKING SCREENS ZM**

Stainless steel mesh screens used alone or in combinations will block from approximately 20% to 90% of the transmitted light without changing color temperature of the light.

| No.    | % of Light Blocked |
|--------|--------------------|
| ZM801S | 20                 |
| ZM802S | 30                 |
| ZM803S | 40                 |



**BACKER RING ZM**

Aluminum ring to hold thin film gels when no other size ZM accessories are being used.

1. Figures vary based upon LED module/optic being used and relationship of screen(s) to LED module/optic and to each other.

## LZ • GELS

As the foremost innovator in accent lighting, LSI offers a complete range of pre-cut Gels to modify the spread and color of light for the LumeLEX LED Series.



## LumeLEX® SPREAD GELS

| Size: ZM<br>(71 mm diameter) | Spread Gel             |
|------------------------------|------------------------|
| GEL-L1-ZM                    | 1° Spread Gel          |
| GEL-L5-ZM                    | 5° Spread Gel          |
| GEL-L10-ZM                   | 10° Spread Gel         |
| GEL-L20-ZM                   | 20° Spread Gel         |
| GEL-L30-ZM                   | 30° Spread Gel         |
| GEL-L40-ZM                   | 40° Spread Gel         |
| GEL-L60-ZM                   | 60° Spread Gel         |
| GEL-L80-ZM                   | 80° Spread Gel         |
| GEL-L30B5-ZM                 | 30° by 5° Spread Gel   |
| GEL-L40B2-ZM                 | 40° by 0.2° Spread Gel |
| GEL-L60B1-ZM                 | 60° by 1° Spread Gel   |
| GEL-L60B10-ZM                | 60° by 10° Spread Gel  |
| GEL-L75B45-ZM                | 75° by 45° Spread Gel  |
| GEL-L90B60-ZM                | 90° by 60° Spread Gel  |
| GEL-R101-ZM                  | Beam Softener          |

## LumeLEX® COLOR GELS

| Size: ZM<br>(71 mm diameter) | Gel Color         | % of Light<br>Transmission | Size: ZM<br>(71 mm diameter) | Gel Color                                     | % of Light<br>Transmission |
|------------------------------|-------------------|----------------------------|------------------------------|---|----------------------------|
| GEL-R2-ZM                    | Bastard Amber     | 78                         | GEL-R312-ZM                  | Canary  | 85                         |
| GEL-R7-ZM                    | Pale Yellow       | 96                         | GEL-R3204-ZM                 | Half Blue                                     | 52                         |
| GEL-R12-ZM                   | Straw             | 88                         | GEL-R331-ZM                  | Shell Pink                                    | 68                         |
| GEL-R13-ZM                   | Straw Tint        | 78                         | GEL-R383-ZM                  | Sapphire Blue                                 | 4                          |
| GEL-R14-ZM                   | Medium Straw      | 68                         | GEL-R397-ZM                  | Pale Grey                                     | 70                         |
| GEL-R21-ZM                   | Golden Amber      | 43                         | GEL-R2001-ZM                 | Storaro Red                                   | 12                         |
| GEL-R25-ZM                   | Orange Red        | 14                         | GEL-R2004-ZM                 | Storaro Green                                 | 15                         |
| GEL-R26-ZM                   | Light Red         | 12                         | GEL-R2009-ZM                 | Storaro Violet                                | 3                          |
| GEL-R27-ZM                   | Medium Red        | 4                          | GEL-R3202-ZM                 | Full Blue                                     | 36                         |
| GEL-R57-ZM                   | Lavender          | 24                         | GEL-R3206-ZM                 | Third Blue                                    | 64                         |
| GEL-R62-ZM                   | Booster Blue      | 54                         | GEL-R3216-ZM                 | Eighth Blue (Boosts 3200K to 3300K)           | 81                         |
| GEL-R71-ZM                   | Sea Blue          | 30                         | GEL-R3318-ZM                 | Tough 1/8 Minusgreen                          | 89                         |
| GEL-R72-ZM                   | Azure Blue        | 44                         | GEL-R3410-ZM                 | Roscocosun (1/8 CTO) (Reduces 5500K to 4900K) | 92                         |
| GEL-R91-ZM                   | Primary Green     | 7                          | GEL-R3441-ZM                 | Full Straw (CTS)                              | 50                         |
| GEL-R97-ZM                   | Light Grey        | 50                         | GEL-R3443-ZM                 | Quarter Straw (CTS)                           | 81                         |
| GEL-R98-ZM                   | Medium Grey       | 25                         | GEL-R4330-ZM                 | CalColor 30 Cyan                              | 63                         |
| GEL-R101-ZM                  | Light Frost       | N/A                        | GEL-R4415-ZM                 | CalColor 15 Green                             | 67                         |
| GEL-R104-ZM                  | Tough Silk        | N/A                        | GEL-R4490-ZM                 | CalColor 90 Green                             | 25                         |
| GEL-R119-ZM                  | Lt. Hamburg Frost | N/A                        | GEL-R4860-ZM                 | CalColor 60 Pink                              | 46                         |
| GEL-R121-ZM                  | Blue Diffusion    | N/A                        | GEL-R4890-ZM                 | CalColor 90 Pink                              | 38                         |
| GEL-R305-ZM                  | Rose Gold         | 75                         | GEL-R4930-ZM                 | CalColor 30 Lavender                          | 47                         |

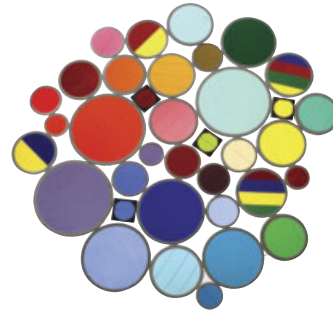
\* Backer Ring ZM required to hold gels when no other rimmed "ZM" accessories are used.

| LSI ROSCO GEL CCT CONVERSION CHART FROM 3000K |         |                    |               |
|---|---------|--------------------|---------------|
| Type  | ROSCO # | ROSCO Description  | Resulting CCT |
| Amber Filters<br>Lower CCT                    | 3420    | Double CTO         | 1531          |
|   | 3407    | Sun CTO            | 1999          |
|   | 3401    | Sun 85             | 2154          |
|   | 3411    | Sun 3/4 CTO        | 2154          |
|   | 3408    | Sun 1/2 CTO        | 2414          |
|   | 3409    | Sun 1/4 CTO        | 2664          |
|   | 3410    | Sun 1/8 CTO        | 2830          |
|   | 3114    | UV Filter          | 2930          |
| Blue Filters<br>Raise CCT                     | 3220    | Double Blue        | N/A           |
|   | 3202    | Full Blue          | 4942          |
|   | 3203    | Three-Quarter Blue | 4286          |
|   | 3204    | Half Blue          | 3769          |
|   | 3206    | Third Blue         | 3517          |
|   | 3208    | Quarter Blue       | 3297          |
|   | 3216    | Eighth Blue        | 3112          |

# COLOR MEDIA

## COLOR FILTERS

As the foremost innovator in accent lighting, LSI offers a complete range of permanent fade-free glass color filters, which are available in nine stock diameters. All glass color filters are rimmed in a seamless aluminum ring and are slotted for heat expansion.



| Size | Diameter | LSI Fixture Series   | No. | Color            | % of Light Transmission |
|------|----------|--|-----|------------------|-------------------------|
| AAA  | 2 3/8"   | LumeLEX® 2020/2030/2031/2038, SSLCX16, SSL260, LumeLEX MAR-S                       | 902 | Medium Pink      | 36                      |
|      |          |  | 903 | Deep Pink        | 37                      |
|      |          |  | 904 | Flesh Pink       | 73                      |
| ZM   | 2 13/16" | LZ Zoom  | 906 | Pale Lavender    | 14                      |
|      |          |  | 907 | Surprise Pink    | 19                      |
| AA   | 3"       | LumeLEX® 2024 (with LX2024-Holder or LX2024-Barndoor), LumeLEX® 2044, LumeLEX 2048 | 908 | Lilac            | 21                      |
|      |          |  | 910 | Warm Red         | 10                      |
|      |          |  | 911 | Strawberry       | 6                       |
|      |          |  | 912 | Ruby             | 4                       |
| A    | 3 1/2"   | LumeLEX® 2060, SSL230, SSLCX30, SSLGR30CL, SSLGR36                                 | 913 | Magenta          | 1                       |
|      |          |  | 914 | Light Amethyst   | 25                      |
| B    | 4 1/4"   | LumeLEX® MAR-L   | 915 | Medium Amethyst  | 16                      |
|      |          |  | 916 | Deep Amethyst    | 4                       |
|      |          |  | 917 | Olive            | 18                      |
| C    | 4 3/4"   | LumeLEX® 2084, LumeLEX® 2088, SSL238, SSLCX36, SSLCX38, SSLGR38CL                  | 918 | Light Green      | 68                      |
|      |          |  | 920 | Medium Green     | 25                      |
|      |          |  | 921 | Deep Green       | 7                       |
|      |          |  | 922 | Silver green     | 65                      |
|      |          |  | 923 | Yellow Green     | 49                      |
|      |          |  | 924 | Emerald Green    | 12                      |
|      |          |  | 925 | Light Turquoise  | 68                      |
|      |          |  | 926 | Medium Turquoise | 40                      |
|      |          |  | 927 | Deep Turquoise   | 17                      |
|      |          |  | 928 | Light Blue       | 34                      |
|      |          |  | 930 | Medium Blue      | 3                       |
|      |          |  | 932 | Daylight         | 59                      |
|      |          |  | 933 | Gene Moore Blue  | 18                      |
|      |          |  | 936 | Grey             | 56                      |
|      |          |  | 937 | Light Blue Green | 17                      |
|      |          |  | 939 | Light Amber      | 68                      |
|      |          |  | 940 | Medium Amber     | 48                      |
|      |          |  | 941 | Deep Amber       | 43                      |
|      |          |  | 942 | Straw            | 78                      |
|      |          |  | 943 | Gold             | 87                      |
|      |          |  | 944 | Canary Yellow    | 84                      |
|      |          |  | 945 | Lemon            | 81                      |
|      |          |  | 946 | Pumpkin          | 32                      |
|      |          |  | 947 | Tangerine        | 20                      |
|      |          |  | 948 | Orange           | 23                      |
|      |          |  | 949 | Pink Gold        | 54                      |
|      |          |  | 950 | Bronze           | 48                      |
|      |          |  | 951 | Brass            | 11                      |
|      |          |  | 952 | Autumn Tan       | 11                      |
|      |          |  | 953 | Leaf Brown       | 19                      |
|      |          |  | 954 | Butter Pecan     | 3                       |
|      |          |  | 955 | Toasted Almond   | 1                       |

**Notes:**

1. Values given are approximate due to slight variations in glass color and thickness.



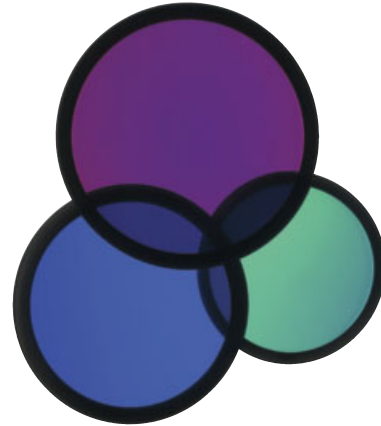
# COLOR MEDIA

## DICHROIC COLOR FILTERS

In addition to our complete line of glass color filters, LSI now offers dichroic glass color filters that achieve purer, more saturated, richer color by selective wavelength transmission. Since these filters reflect rather than absorb the unwanted color wavelengths, a higher intensity of colored light can be obtained with fewer or lower wattage fixtures. In addition, this selective transmission allows for very accurate color matching from filter to filter.

All standard LSI filter sizes are available in a wide palette of well chosen dichroic colors that can be used with all LSI fixtures that accept accessories.

LSI dichroic glass color filters have the added benefit of being rimmed for extra durability to allow for frequent usage without fear of breakage or edge chipping.



| Size | Diameter | LSI Fixture Series   | Technical Data   | No.  | Color              | % of Light Transmission |
|------|----------|--|--|------|--------------------|-------------------------|
| AAA  | 2 3/8"   | LumeLEX®<br>2020/2030/2031/2038,<br>SSLCX16, SSL260,<br>LumeLEX MAR-S                          | Dichroic color filters are created in a vacuum chamber by multi-layer vapor deposits of different minerals onto low expansion, chemically resistant Borosilicate glass.  | 2001 | Light Pink         | 69                      |
| ZM   | 2 13/16" | LZ Zoom  | Deposits are made in alternating layers of varying microscopic thickness which allow very narrow color wavelengths to be selectively transmitted and all other wavelengths to be reflected.  | 2002 | Medium Pink        | 43                      |
| AA   | 3"       | LumeLEX® 2024<br>(with LX2024-Holder or<br>LX2024-Barndoor),<br>LumeLEX® 2044,<br>LumeLEX 2048 | LSI does not recommend using dichroic color filters with lamps or fixtures that have beam spreads greater than 40° because a secondary color aura is created by the wide angular transmitted wavelengths that are different than the desired color wavelength. | 2003 | Hot Pink           | 11                      |
| A    | 3 1/2"   | LumeLEX® 2060,<br>SSL230, SSLCX30,<br>SSLGR30CL,<br>SSLGR36                                    | Since there is mainly transmission and reflection of the color wavelengths by the dichroic filter and very little absorption, the dichroic filter can be used with many high temperature lights that normally would not accept color filters.                  | 2004 | Pale Pink          | 55                      |
| B    | 4 1/4"   | LumeLEX® MAR-L   |  | 2010 | Deep Magenta       | 29                      |
| C    | 4 3/4"   | LumeLEX® 2084,<br>LumeLEX® 2088,<br>SSL238, SSLCX36,<br>SSLCX38, SSLGR38CL                     |  | 2011 | Lavender           | 24                      |
|      |          |  |  | 2012 | Vivid Magenta      | 31                      |
|      |          |  |  | 2013 | Lavender Accent    | 48                      |
|      |          |  |  | 2014 | Lilac              | 37                      |
|      |          |  |  | 2015 | Purple Fusion      | 12                      |
|      |          |  |  | 2020 | Sky Blue           | 39                      |
|      |          |  |  | 2021 | Sea Blue           | 39                      |
|      |          |  |  | 2022 | Cyan               | 33                      |
|      |          |  |  | 2023 | Light Blue Green   | 30                      |
|      |          |  |  | 2024 | Primary Blue       | 24                      |
|      |          |  |  | 2025 | Medium Red Blue    | 15                      |
|      |          |  |  | 2026 | Deep Purple        | 16                      |
|      |          |  |  | 2027 | Peacock Blue       | 53                      |
|      |          |  |  | 2028 | Mediterranean Blue | 20                      |
|      |          |  |  | 2029 | Boost Blue         | 51                      |
|      |          |  |  | 2040 | Light Yellow Green | 64                      |
|      |          |  |  | 2041 | Fern Green         | 47                      |
|      |          |  |  | 2042 | Turquoise          | 35                      |
|      |          |  |  | 2043 | Primary Green      | 31                      |
|      |          |  |  | 2044 | Industrial Green   | 64                      |
|      |          |  |  | 2050 | Yellow             | 80                      |
|      |          |  |  | 2051 | Amber              | 71                      |
|      |          |  |  | 2052 | Amber Blush        | 38                      |
|      |          |  |  | 2053 | Bastard Amber      | 71                      |
|      |          |  |  | 2054 | Goldenrod          | 63                      |
|      |          |  |  | 2055 | Bright Straw       | 56                      |
|      |          |  |  | 2060 | Medium Orange      | 51                      |
|      |          |  |  | 2061 | Orange             | 44                      |
|      |          |  |  | 2070 | Flame Red          | 27                      |
|      |          |  |  | 2071 | Primary Red        | 25                      |