

MOUNTING SYSTEMS • SPECIFICATIONS

GENERAL Mounting Systems shall allow Track Systems to be fastened to or from various surfaces in a wide range of safe and approved methods. Mounting Systems shall have a twelve year warranty from date of shipment.

MECHANICAL Mounting stems shall be made from .50 (13mm) diameter steel. All mounting canopies shall be made from either 20 gauge steel (1mm) or .080 (2mm) aluminum. All Mounting Systems shall be available in either Black, White, and Silver high temperature baked paint finish.

Mounting stems shall be capable of being cut to length in the field. All hang-straight stems shall have a 30° swivel from plumb in all directions.

All stem systems shall be available in either 18 inch (457mm), 48 inch (1.2m) or 96 inch (2.4m) standard lengths.

All cable systems shall be available in either 18 inch (457mm), 48 inch (1.2m), 96 inch (2.4m), or 144" (3.7m) standard lengths.

Cables shall be constructed of .062 (1.6mm) stainless steel cable and be capable of being cut to length in the field.

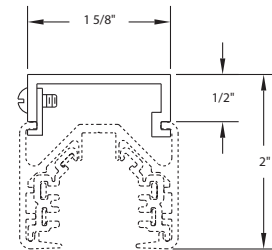
Stem and cable mounting systems shall have a safety collar to ensure proper tightening of locking hardware for all field cuttable systems.

Mounting systems shall be capable of being mounted to T-bar ceiling structures either parallel or perpendicular to the T-bar by means of galvanized mounting clips.

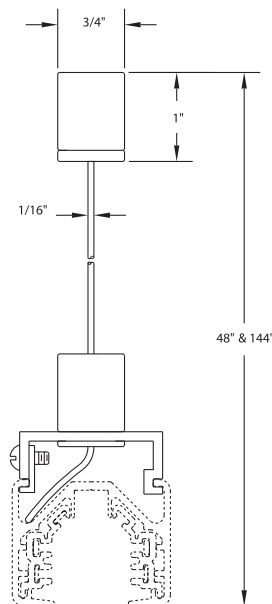
ELECTRICAL Mounting Systems shall be UL and CUL listed, CE Certified, and comply with the National Electric Code standards for Lighting Track. Mounting Systems shall have provisions for feeding Track System through feed stems or flexible tubing with a maximum of either 3 #12 THHN wires or 5 #12 AWM (Ecowire by Alphawire) and with Stainless Steel Cable Feed Kit a maximum of 9 #12 THHN wires.

FIXTURE FITTING INTERFACE Mounting Systems used in conjunction with Track shall accept GE fiber reinforced Lexan™ fixture fittings which positively lock into track and cannot be energized by integral switch until safety interlock handle is in closed position. Safety interlock shall also prevent fixture fitting removal from track unless the switch is in the "off" position. Upon insertion of fixture fitting into track, grounding connection from fixture fitting to track shall be automatically completed before any electrical contact is made with busbars. When removing fixture fitting from track, the grounding connection shall automatically be disconnected only after the electrical contact with busbars are disconnected. The fixture fitting shall recess into track creating a minimal intrusion into space. Fixture fittings for magnetic low voltage fixtures shall be furnished with fuse of the correct ampere rating for integral transformer protection, and shall not be fused as a branch circuit.

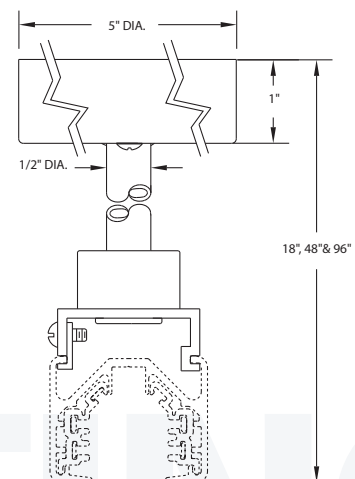
Surface Hanger Clip



Stainless Steel Cable Support

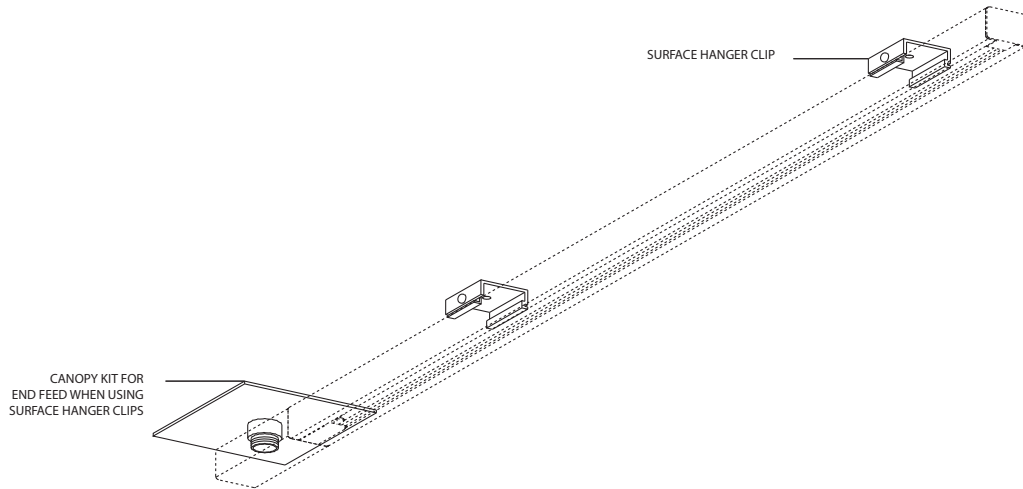


Canopy Stem Support

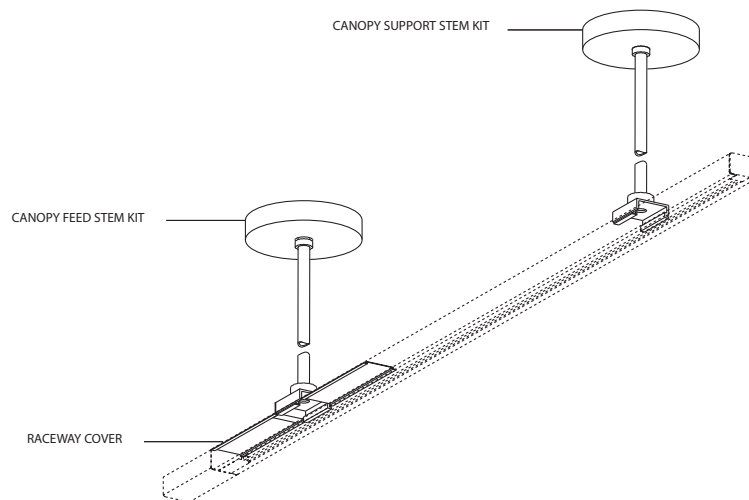


MOUNTING SYSTEMS • CONFIGURATIONS

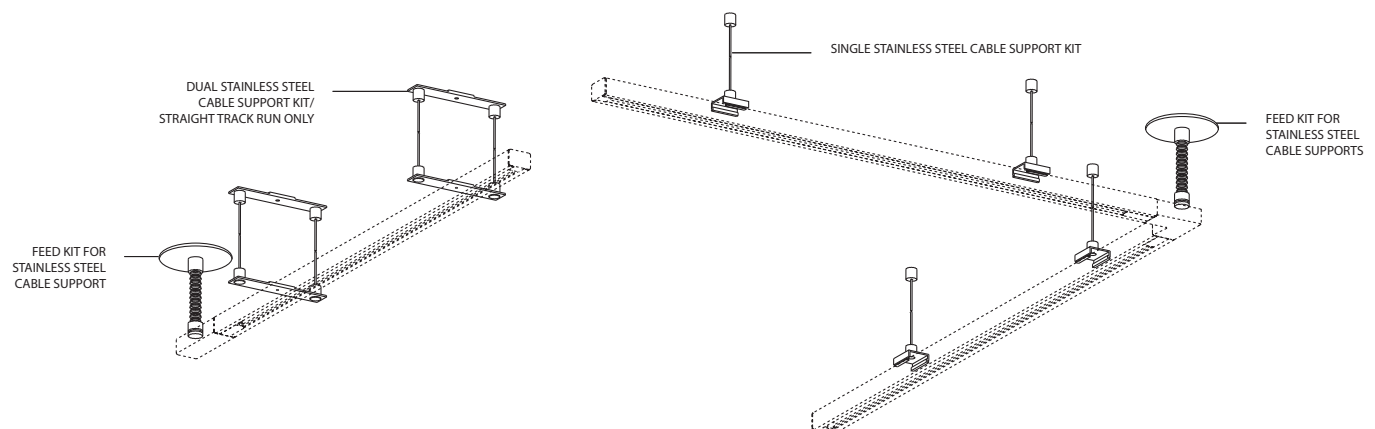
Surface Hanger Clip Application



Stem Application



Stainless Steel Cable Application

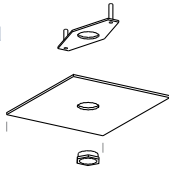


MOUNTING SYSTEMS • COMPONENTS

Key Features / Applications

UL and CUL listed, CE Certified • IBEW union made at LSI plant in USA • LSI surface track can be spaced 1/2 inch (13mm) from any surface with extruded surface hanger clips • LSI surface track can be mounted directly to T-bar ceilings either parallel or at right angle to T-bar with T-bar hanger clips • LSI surface track can be suspended from ceiling with 18 inch (457mm), 48 inch (1.2m), 96 inch (2.4m) or 144 inch (3.7m) field cuttable 1/16 inch (1.6mm) braided stainless steel cables complete with hardware and flexible conduit for feeding • LSI surface track can be suspended from ceiling with 18 inch (457mm), 48 inch (1.2m) or 96 inch (2.4m) field cuttable tubular 1/2 inch (13mm) steel stems complete with canopy and hardware • Black, White, and Silver finishes • Steel stems can be supplied with 60° hang straight device (30° from vertical in all directions).

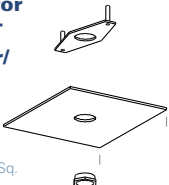
Canopy Kit for End Feed



The Canopy Kit for End Feed is used when flush mounting track to a surface and feeding from a recessed outlet box.

Finish		
Silver	One & Two Ckt	30011
Black	One & Two Ckt	30211
White	One & Two Ckt	30311

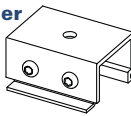
Canopy Kit for Straight, L, T and X Joiner/Feeder



The Canopy Kit for Straight, L, T and X Joiner/Feeder is used when flush mounting track to a surface and feeding into joiners from a recessed outlet box.

Finish		
Silver	One & Two Ckt	30012
Black	One & Two Ckt	30212
White	One & Two Ckt	30312

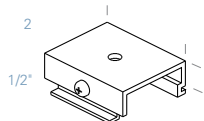
Recessed Flanged/Flangeless Hanger Support Clip



Extruded Hanger Support Clip for LSI recessed flanged or flangeless track. In place of galvanized perforated straps use hanger support clip as alternate mounting method. For normal usage, LSI recommends two hanger support clips per 4 foot (1.2m) length, two hanger support clips per 8 foot (2.4m) length and three hanger support clips per 12 foot (3.7m) length. Two clips per package. 1/4" diameter hole.

Finish		
White	One & Two Ckt	90325

Surface Hanger Clip Kit



Extruded Surface Hanger Clips space track .50 (13mm) from a surface to create a floating look or when mounting to an uneven surface. For normal usage, LSI recommends two hanger clips per 4 foot (1.2m) length, two hanger clips per 8 foot (2.4m) length and three hanger clips per 12 foot (3.7m) length. Two clips per package. 1/4" diameter hole.

Finish		
Silver	One & Two Ckt	30025
Black	One & Two Ckt	30225
White	One & Two Ckt	30325

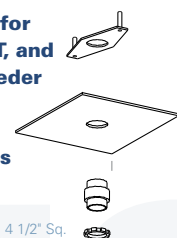
Canopy Kit for End Feed when using Surface Hanger Clips.



The Canopy Kit for End Feed is required when using Surface Hanger Clips to enclose wiring to track End Feed which is spaced .50 (13mm) from recessed outlet box.

Finish		
Silver	One & Two Ckt	30026
Black	One & Two Ckt	30226
White	One & Two Ckt	30326

Canopy Kit for Straight, L, T, and X Joiner/Feeder when using Surface Hanger Clips

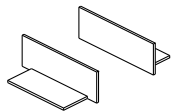


The Canopy Kit for Straight, L, T and X Joiner/Feeder is required when using Surface Hanger Clips to enclose wiring to track joiners which are spaced .50 (13mm) from recessed outlet box.

Finish		
Silver	One & Two Ckt	30027
Black	One & Two Ckt	30227
White	One & Two Ckt	30327

MOUNTING SYSTEMS • COMPONENTS

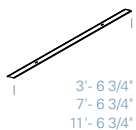
Raceway Closure Cover Kit



Raceway Closure Cover Kits are used in conjunction with raceway covers when enclosing additional lay-in circuit wiring in top section of cable, stem or surface hanger clip mounted track. Two pairs of covers per package.

Finish		
Silver	One & Two Ckt	30030
Black	One & Two Ckt	30230
White	One & Two Ckt	30330

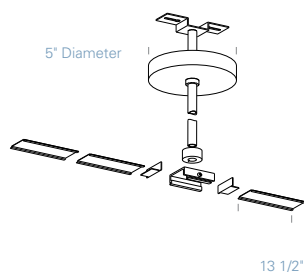
Raceway Cover Kit



Field cuttable Raceway Cover Kits are used to enclose additional lay-in circuit wiring in top section of track.

Finish	Nominal length		
	4 Ft	8 Ft	12 Ft
Galvanized	30613	30614	30615

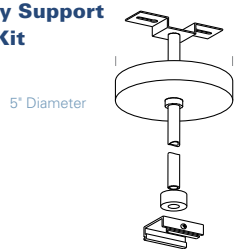
Canopy Feed Stem Kit



For stem mounting, the 18 inch (457mm), 48 inch (1.2m), and 96 inch (2.4m) Canopy Feed Stem Kits are used to bring feeds (max. either 3 #12 THHN wires or 5 #12 AWM (Ecowire by Alphawire) in stem) down to an End Feed or any Joiner/Feeder from the recessed outlet box. Note that the stem does not mount directly into the End Feed, but can be mounted up to 32" (813mm) away from end of track. The three 13 1/2" (343mm) length raceway covers can be field cut to give a wide variety of mounting locations for the stem and simultaneously creates an enclosed raceway for the incoming wires. Field cuttable.

Finish		Nominal Length		
		18"	48"	96"
Silver	One & Two Ckt	73100	73102	73118
Black	One & Two Ckt	73200	73202	73218
White	One & Two Ckt	73300	73302	73318

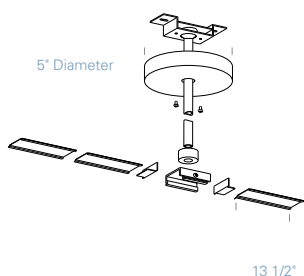
Canopy Support Stem Kit



The 18 inch (457mm), 48 inch (1.2m), and 96 inch (2.4m) Canopy Support Stem Kit is used to mechanically support the track from the ceiling. Field cuttable. For normal usage, LSI recommends a minimum of two mounting points per section of track. LSI track can be mounted on centers up to 6'-0". Field cuttable.

Finish		Nominal Length		
		18"	48"	96"
Silver	One & Two Ckt	73101	73103	73119
Black	One & Two Ckt	73201	73203	73219
White	One & Two Ckt	73301	73303	73319

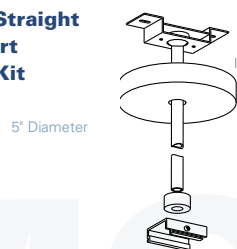
Hang Straight Feed Stem Kit



Allows Feed Stem to swivel 30° from vertical in all directions. Field cuttable. For stem mounting, the 18 inch (457mm), 48 inch (1.2m), and 96 inch (2.4m) Canopy Feed Stem Kits are used to bring feeds (max. 5 #12 THHN wires in stem) down to an End Feed or any Joiner/Feeder from the recessed outlet box. Note that the stem does not mount directly into the End Feed, but can be mounted up to 32" (813mm) away from end of track. The three 13 1/2" (343mm) length raceway covers can be field cut to give a wide variety of mounting locations for the stem and simultaneously creates an enclosed raceway for the incoming wires. Field cuttable.

Finish		Nominal Length		
		18"	48"	96"
Silver	One & Two Ckt	73104	73106	73120
Black	One & Two Ckt	73204	73206	73220
White	One & Two Ckt	73304	73306	73320

Hang Straight Support Stem Kit



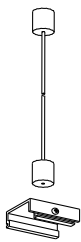
Allows Support Stem to swivel 30° from vertical in all directions. Field cuttable. For normal usage, LSI recommends a minimum of two mounting points per section of track. LSI track can be mounted on centers up to 6'-0".

Finish		Nominal Length		
		18"	48"	96"
Silver	One & Two Ckt	73105	73107	73121
Black	One & Two Ckt	73205	73207	73221
White	One & Two Ckt	73305	73307	73321



MOUNTING SYSTEMS • COMPONENTS

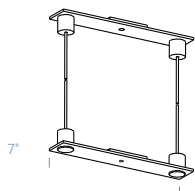
Single Stainless Steel Cable Support Kit



Use single field cuttable cable complete with mounting devices for ceiling track configurations only. LSI recommends a minimum of two mounting points per section of track. LSI track can be mounted on centers up to 6'-0".

		Nominal Length	
Finish		48"	144"
Silver	One Ckt Two Ckt	73111	73127
Black	One Ckt Two Ckt	73211	73227
White	One Ckt Two Ckt	73311	73327

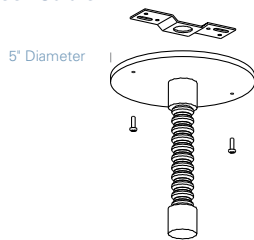
Dual Stainless Steel Cable Support Kit/ Straight Track Run Only



Dual field cuttable cables complete with mounting device for ceiling straight run track installation. Used to keep track from twisting after fixtures are mounted. Recommended for straight track runs only. LSI recommends a minimum of two mounting points per section of track. LSI track can be mounted on centers up to 6'-0".

		Nominal Length	
Finish		48"	144"
Silver	One Ckt Two Ckt	73117	73128
Black	One Ckt Two Ckt	73217	73228
White	One Ckt Two Ckt	73317	73328

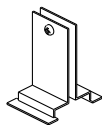
Feed Kit for Stainless Steel Cable



Canopy kit for mounting to standard flush outlet box, supplied complete with flexible conduit for feeding into track End Feed or any Joiner/Feeder. Field cuttable. (Max. 9 #12 THHN wires in flexible conduit.)

		Nominal Length	
Finish		48"	144"
Silver	One Ckt Two Ckt	73110	73129
Black	One Ckt Two Ckt	73210	73229
White	One Ckt Two Ckt	73310	73329

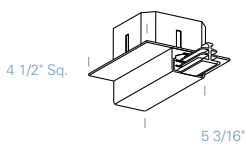
T-Bar Hanger Clips



T-Bar Hanger Clips for mounting track parallel to, or at right angles to T-Bar ceiling. LSI recommends a minimum of two mounting points per section of track. LSI track can be mounted on centers up to 6'-0". Two pairs per package.

Finish	
Galvanized	30652

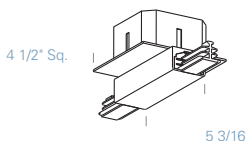
T-Bar End Feed with Canopy Kit



T-Bar End Feed with Canopy Kit includes a slotted octagonal outlet box for mounting and for energizing T-Bar End Feed with concealed wires.

Finish		
Silver	One Ckt Two Ckt	31140 32140
Black	One Ckt Two Ckt	31240 32240
White	One Ckt Two Ckt	31340 32340

T-Bar Straight Joiner/Feeder with Canopy Kit

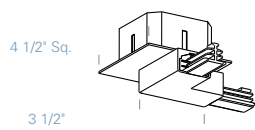


T-Bar Straight Joiner/Feeder with Canopy Kit includes a slotted octagonal outlet box for mounting and for energizing T-Bar Straight Joiner/Feeder with concealed wires.

Finish		
Silver	One Ckt Two Ckt	31141 32141
Black	One Ckt Two Ckt	31241 32241
White	One Ckt Two Ckt	31341 32341

MOUNTING SYSTEMS • COMPONENTS

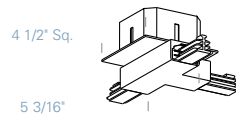
T-Bar L Joiner/Feeder with Canopy Kit



T-Bar L Joiner/Feeder with Canopy Kit includes a slotted octagonal outlet box for mounting and for energizing T-Bar L Joiner/Feeder with concealed wires.

Finish		
Silver	One Ckt	31142
	Two Ckt	32142
Black	One Ckt	31242
	Two Ckt	32242
White	One Ckt	31342
	Two Ckt	32342

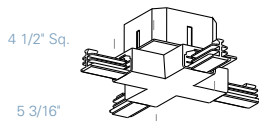
T-Bar T Joiner/Feeder with Canopy Kit



T-Bar T Joiner/Feeder with Canopy Kit includes a slotted octagonal outlet box for mounting and for energizing T-Bar T Joiner/Feeder with concealed wires.

Finish		Nominal Length	
		Left Joiner	Right Joiner
Silver	One Ckt	31143	31144
	Two Ckt	32145	32145
Black	One Ckt	31243	31244
	Two Ckt	32245	32245
White	One Ckt	31343	31344
	Two Ckt	32345	32345

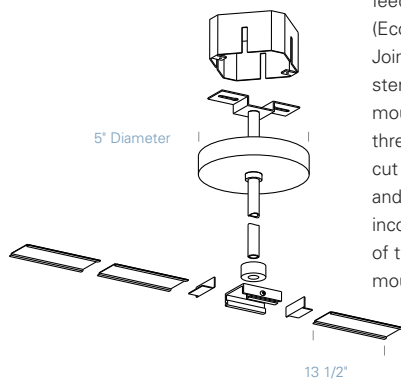
T-Bar X Joiner/Feeder with Canopy Kit



T-Bar X Joiner/Feeder with Canopy Kit includes a slotted octagonal outlet box for mounting and for energizing T-Bar X Joiner/Feeder with concealed wires.

Finish		
Silver	One Ckt	31146
	Two Ckt	32146
Black	One Ckt	31246
	Two Ckt	32246
White	One Ckt	31346
	Two Ckt	32346

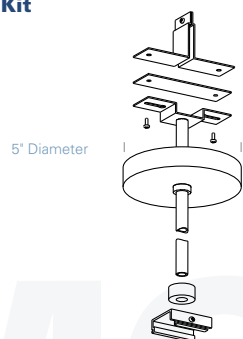
T-Bar Canopy Feed Stem Kit



For stem mounting, the 18 inch (457mm), 48 inch (1.2m) and 96 inch (2.4m) Canopy Feed Stem Kits are used to bring feeds (max. either 3 #12 THHN wires or 5 #12 AWM (Ecowire by Alphawire) in stem) down to an End Feed or any Joiner/Feeder from the recessed outlet box. Note that the stem does not mount directly into the End Feed, but can be mounted up to 32" (812.8mm) away from end of track. The three 13.50 inch (343mm) length raceway cover can be field cut to give a wide variety of mounting locations for the stem and simultaneously creates an enclosed raceway for the incoming wires. Field cuttable. LSI recommends a minimum of two mounting points per section of track. LSI track can be mounted on centers up to 6'-0".

Finish		Nominal Length		
		18"	48"	96"
Silver	One & Two Ckt	73112	73114	73122
Black	One & Two Ckt	73212	73214	73222
White	One & Two Ckt	73312	73314	73322

T-Bar Canopy Support Stem Kit



The the 18 inch (457mm), 48 inch (1.2m) and 96 inch (2.4m) T-Bar Canopy Support Stem Kits are used to mechanically support the track from the T-Bar. Field cuttable. LSI recommends a minimum of two mounting points per section of track. LSI track can be mounted on centers up to 6'-0".

Finish		Nominal Length		
		18"	48"	96"
Silver	One & Two Ckt	73113	73115	73123
Black	One & Two Ckt	73213	73215	73223
White	One & Two Ckt	73313	73315	73323

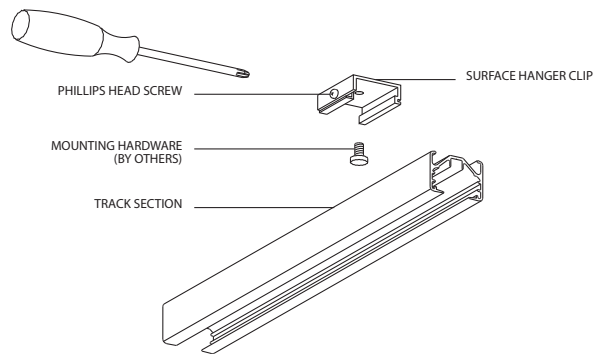
MOUNTING SYSTEMS • INSTALLATION

General Notes

When installing or using this track system, basic safety precautions should always be followed, including the following: Read all instructions. Do not install this track in damp or wet locations. Do not install any part of the track system less than five feet (120V Track) or eight feet (277V Track) from floor. Do not install any fixture assembly closer than six inches from any curtain or similar combustible material. Disconnect electrical power before adding to or changing the configuration of the track. Check with a qualified electrician. Do not attempt to energize anything other than lighting track fixtures on the track. To reduce the risk of fire and electric shock, do not attempt to connect power tools, extension cords, appliances and the like to the track. Install per NEC and local codes. Save these instructions.

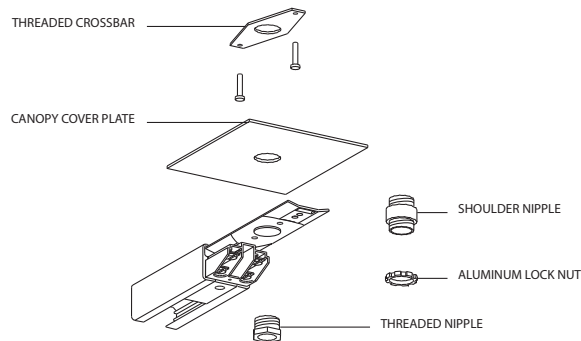
Mounting Surface Hanger Clips

Fasten Surface Hanger Clip directly to surface through pre-punched 1/4 inch (6mm) mounting hole with hardware (by others) capable of withstanding a 50 lb. pull. Install Track onto Surface Hanger Clips by tightening the Phillips head screw after the track is seated. Mount Track in compliance with NEC Lighting Track Article #410-101 (Installation), #410-104 (Fastening) and any other applicable codes. LSI recommends a minimum of two mounting points per section of track. LSI track can be mounted on centers up to 6'-0".



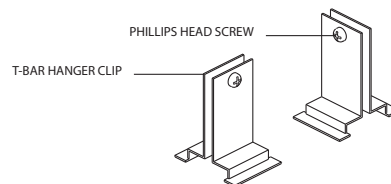
Canopy Kits (with and without Surface Hanger Clips)

Mount threaded crossbar to 4 inch octagonal outlet box (by others). Install Canopy cover plate and End Feed or Joiner/Feeder to the threaded crossbar by means of threaded nipple. Use shoulder nipple and aluminum locknut when using Surface Hanger Clips.

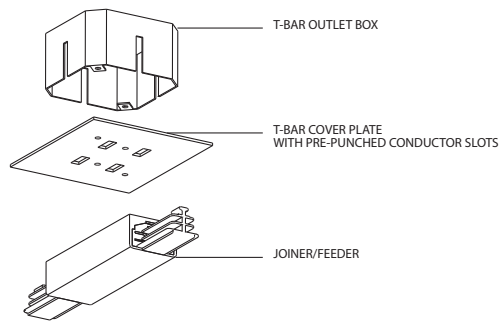


T-Bar Hanger Clips

Use T-Bar Hanger Clips when mounting track to a T-Bar ceiling. T-Bar Hanger Clips can be used parallel or at right angles to ceiling system. Lock the clips together with the single Phillips head screw located at the top of the clip. LSI recommends a minimum of two mounting points per section of track. LSI track can be mounted on centers up to 6'-0". Two clips per package.

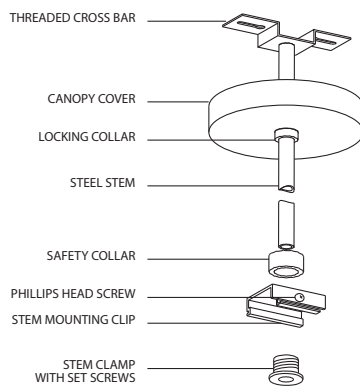


MOUNTING SYSTEMS • INSTALLATION



T-Bar Joiner/Feeders with Canopy Kit

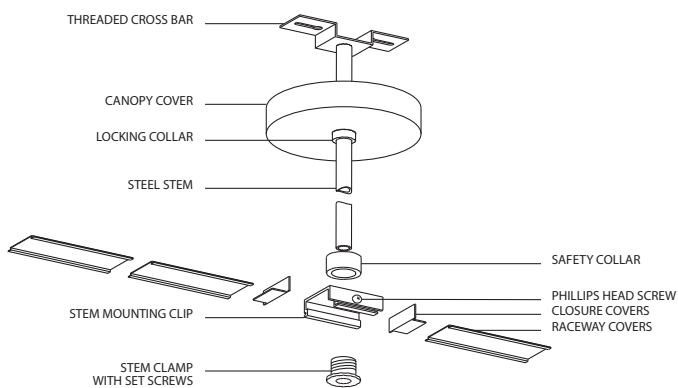
Mount supplied T-Bar outlet box on top of T-Bar ceiling. Install T-Bar Joiner/Feeder and T-Bar cover plate with screws provided. Bring conductors through the pre-punched slots to energize End Feed or Joiner/Feeder.



Field Cuttable Support and Feed Stem Mounting

For normal usage, LSI recommends a minimum of two mounting points per section of track. LSI track can be mounted on centers up to 6'-0". Determine the length of the stem required and cut with a sharp hacksaw or a chop saw with a blade suitable for steel.

Support Stem Mount threaded crossbar to surface with hardware (by others) capable of withstanding a 50 lb. pull. Secure canopy cover in place using set screw located in locking collar (or two #8-32 screws for Hang Straight Stem). Install stem mounting clip by first pushing safety collar, then stem mounting clip up onto the stem. Fasten the stem clamp onto the stem by tightening the two set screws firmly. Thread safety collar onto the stem clamp making sure it seats all the way. Safety collar will not seat properly if set screws are not tightened. Install track onto stem mounting clip by tightening the Phillips head screw after track is seated.

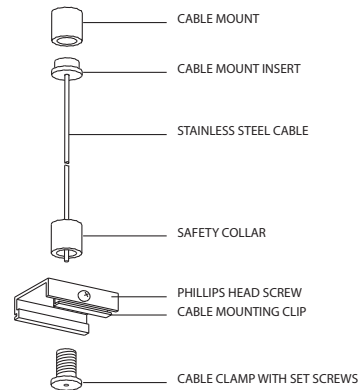


Feed Stem Feed Stem is assembled the same way as the support stem with three exceptions. 1. Mount threaded crossbar to 4 inch octagonal outlet box (by others). 2. Feed conductors through stem prior to mounting onto outlet box or track. 3. Raceway covers and closure covers must be installed in order to run wires to the nearest End Feed or Joiner/Feeder.

MOUNTING SYSTEMS • INSTALLATION

Field Cuttable Stainless Steel Cable Support Mounting

Do not cut cable prior to assembling. Mount Cable Mount with #10 screw or from top with 1/4-20 hardware (by others) capable of withstanding a 50 lb. pull. Thread the cable and cable mount insert into the bottom of the cable mount. Install cable mounting clip by first pushing safety collar, then cable mounting clip up onto the cable. Fasten the cable clamp onto the cable by tightening the two set screws firmly. Thread safety collar onto the cable clamp making sure it seats all the way. Safety collar will not seat properly if set screws are not tightened. Install track onto cable mounting clip by tightening the Phillips head screw after track is seated. Extra cable can lay in top section of the track.



General Notes

Field Cuttable Feed Kit for Stainless Steel Cable Supports

Determine the length of the flexible conduit required and cut with a sharp hacksaw or a chop saw with a non-ferrous blade. Attach conduit connector to cut end of flexible conduit. Mount crossbar to a 4 inch octagonal outlet box (by others). Feed conductors through flexible conduit. Attach 5 inch diameter canopy to threaded crossbar. Attach flexible conduit to an End Feed or Joiner/Feeder conduit plate with aluminum locking nut.

