

RECESSED TRACK (120V) • SPECIFICATIONS

GENERAL Recessed track shall be approved by the NEC for flush-mounting into ceiling or any flat surface. RecessedTrack shall allow fixtures to be easily focused, switched, dimmed, accessorized, and removed as desired. RecessedTrack shall have a twelve year warranty from date of shipment.

MECHANICAL RecessedTrack shall be constructed of .125 inch (3mm) extruded aluminum. RecessedTrack shall have the same overall dimensions and physical appearance for both one and two circuit models. RecessedTrack shall be available in Flanged and Flangeless configurations with high temperature white baked paint finish on all exposed surfaces.

Flanged RecessedTrack shall have an overall height of 1.63 inches (42mm) and overall width of 2.81 inches (72mm).

Flangeless RecessedTrack shall have an overall height of 1.63 inches (42mm) and overall width of 2.81 inches (72mm). FlangelessTrack available with 5/8 inch (16mm) height mounting fin to accommodate 5/8 inch sheet rock, or plaster.

RecessedTrack shall be available in nominal 4 foot (1.2m), 8 foot (2.4m), and 12 foot (3.7m) lengths and comes complete with all necessary hardware and components. RecessedTrack shall be field cuttable to any length with a single cut.

RecessedTrack system shall be available with End Feed, End Cap, Straight Mini-Joiner, Straight Joiner/Feeder, X Joiner/Feeder, L Joiner/Feeder, and T Joiner/Feeder as standard components.

RecessedTrack shall have integral side mounting channels to accept perforated mounting straps.

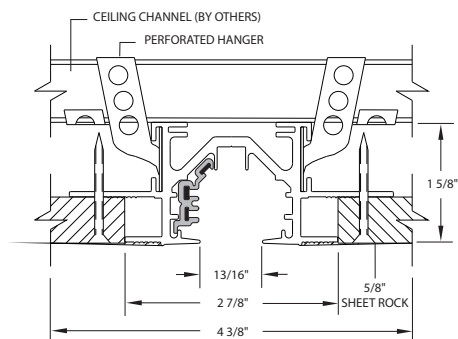
ELECTRICAL RecessedTrack and components shall be UL and CUL listed, CE Certified, and comply with the National Electric Code standards for LightingTrack. One and two circuit RecessedTrack shall be rated at 120/250 volt, 50/60 Hz, 2400 watts maximum each circuit. Each 20 amp/120/250 volt circuit shall be comprised of flat copper busbars and have a separate neutral busbar for each circuit. The neutral busbar shall be oversized to be comparable to #10 gauge 30 amp wire to reduce the possibility of overheating due to non-linear loads and harmonics. **Track shall have integral wiring channels for six (6) additional #12 THHN wires to create three (3) additional 20 amp/120/250 volt circuits, which can be dropped into any Joiner/Feeder, for a total track power capacity of 100 amps.** A separate grounding busbar shall be integral in all track lengths. All busbars shall be insulated to prevent contact with aluminum extrusion.

RecessedTrack shall have electrical feed capability through all Joiners/Feeders using either 1/2" or 3/4" U. S. trade size knock-outs (.875 inch diameter, 22mm or 1.125 inch, 29mm). Joiner/Feeders can be electrically field modified by removing the Lexan™ cover and rerouting internal pre-wired jumpers. All Joiner/Feeder covers shall be available in White GE fiber reinforced Lexan™.

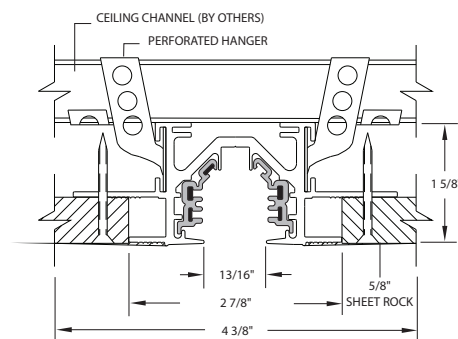
One and two circuit Recessed track lighting with separate neutral busbars shall have the ability to have each circuit separately dimmed as required when using standard voltage and low voltage fixtures with either magnetic or electronic transformers. RecessedTrack shall have the ability to be dimmed or switched in selected sections in addition to dimming or switching an entire recessed track configuration or recessed track run.

FIXTURE FITTING INTERFACE RecessedTrack shall accept only GE fiber reinforced Lexan™ fixture fittings which positively lock into recessed track and cannot be energized by integral switch until safety interlock handle is in the closed position. Safety interlock shall also prevent fixture fitting removal from recessed track unless the switch is in the "off" position. Upon insertion of fixture fitting into recessed track, grounding connection from fixture fitting to track shall be automatically completed before any electrical contact is made with busbars. When removing fixture fitting from track, the grounding connection shall automatically be disconnected last. The fixture fitting shall recess into the track, creating a minimal profile below the track.

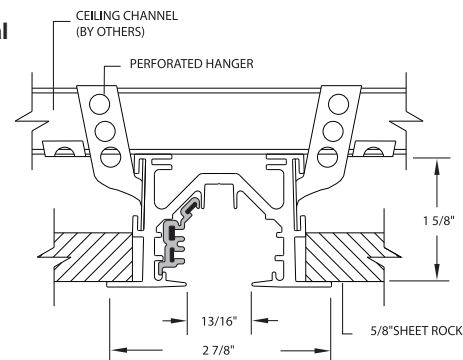
One Ckt 120V Recessed Flangeless Track



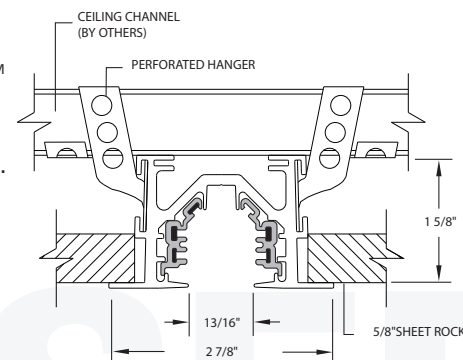
Two Ckt 120V Recessed Flangeless Track



One Ckt 120V Recessed Flanged Track

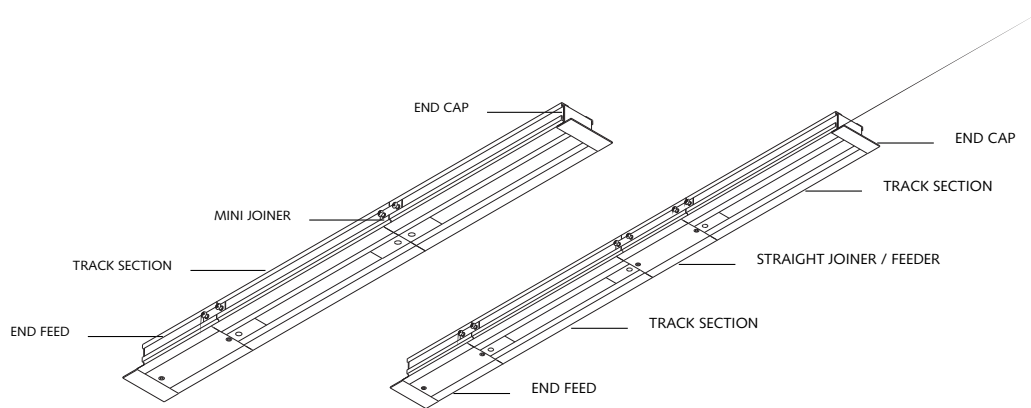


Two Ckt 120V Recessed Flanged Track

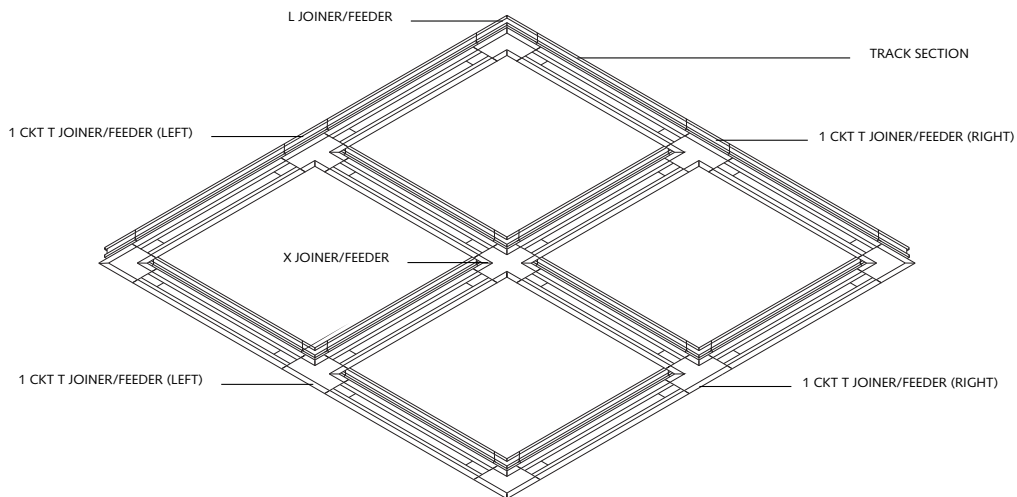


RECESSED TRACK (120V) • CONFIGURATIONS

Straight Run Configuration (Flanged Version Shown)



One Circuit Grid Configuration



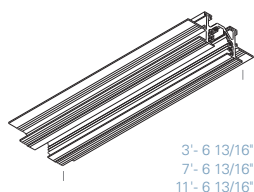
RECESSED

RECESSED FLANGELESS TRACK (120V) • COMPONENTS

Key Features / Applications

UL and CUL listed, CE Certified, Dry Location • IBEW union made at LSI plant in USA • Specification grade heavy duty .125 (3mm) extruded aluminum track • Flangeless Track available with 5/8 inch (16mm) height recessed flange to accommodate sheet rock or plaster • 4 foot (1.2m), 8 foot (2.4m), 12 foot (3.7m) field cuttable lengths complete with 14 inch perforated hanger straps for mounting hardware. • One circuit 20 amp or two circuit 40 amp capacity/120/250 volt • 100 amp total capacity when using integral wireways • Copper busbars equivalent to #12 AWG wire used as circuit and ground track conductors • Oversized copper busbars equivalent to #10 AWG wire used as neutral track conductors • Separate neutral track conductor used for each circuit track conductor • Separate copper grounding busbar used throughout track system • All Joiner/Feeders, Mini-Joiners and End Feeds are injection molded of GE fiber reinforced Lexan™ • All Joiner/Feeders are prewired and simply couple into track and can be easily field modified by changing internal jumper wires • Fixture fitting recesses into track for minimum profile • LSI recessed track can be mounted directly into any surface 5'-0" above finished floor.

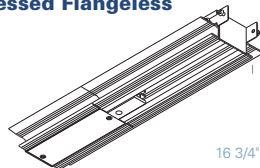
Track Sections-Recessed Flangeless



120V Recessed Flangeless Track Sections are open ended extrusions used to form track runs or configurations to be used in conjunction with an End Feed, End Cap, Straight Joiner/Feeder, Straight Mini Joiner, L Joiner/Feeder, T Joiner/Feeder, and X Joiner/Feeder. Track Section lengths are nominal 4 foot (1.2m), 8 foot (2.4m) and 12 foot (3.7m) and are supplied complete with galvanized perforated straps for mounting. Track is field cuttable.

Finish		Nominal Length		
		4 ft	8 ft	12 ft
White	One Ckt	81310	81320	81330
	Two Ckt	82310	82320	82330

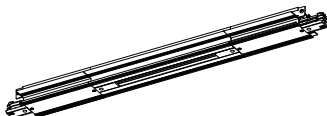
Security/Worklight Track Recessed Flangeless



120V Recessed Flangeless Security/Worklight Track is a separately fed one circuit Track Section, suitable for most LSI track fixtures, that integrates into any LSI Track run or configuration at any location. Consult fixture cutsheet. LSI fixtures (add suffix EF) mechanically lock into Security/Worklight Track by means of special hardware and do not have on/off switches.

Finish		One Ckt
		17" Joiner, End Feed, End Cap Section
White		81351

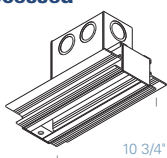
Top Feed Security/Worklight Joiner/Feeder Recessed Flangeless



120V Recessed Flangeless Security/Worklight Joiner/Feeder is used to mechanically and electrically couple two lengths of track in a straight line. It is top fed to energize the track through 1/2" conduits. Consult fixtures (add suffix EF) mechanically lock into Security/Worklight Track by means of special hardware and do not have on/off switches.

Finish		
Silver	Two Ckt	82054
Black	Two Ckt	82254
White	Two Ckt	82354

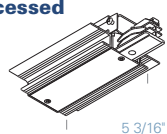
Unimount-Recessed Flangeless



120V Recessed Flangeless Unimount is a compact Recessed Track assembly which will accept most single LSI track fixtures up to 500 watts. Two piece construction allows for wiring and inspection.

Finish		
White	One Ckt	81361

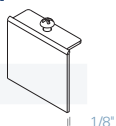
End Feed-Recessed Flangeless



120V Recessed Flangeless End Feed is used when track run is to be fed from the end of a run. The end feed is top fed directly from electrical cable to energize the track.

Finish		
White	One Ckt	81300
	Two Ckt	82300

End Cap-Recessed Flangeless

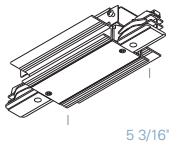


120V Recessed Flangeless End Cap is used for mechanically ending any straight run, individual Track Section, or open configuration Track Section. End cap is insulated on inside only.

Finish		
White	One & Two Ckt	80303

RECESSED FLANGELESS TRACK (120V) • COMPONENTS

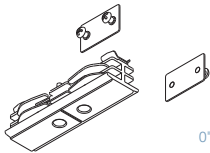
Straight Joiner/Feeder Recessed Flangeless



120V Recessed Flangeless Straight Joiner/Feeder is used to mechanically and electrically couple any two lengths of track in a straight line. The Straight Joiner/Feeder is top fed directly from cable to energize the track. Internal joiner wiring can be modified in the field.

Finish		
White	One Ckt Two Ckt	81304 82304

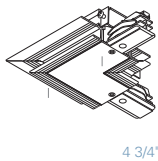
Straight Mini-Joiner Recessed Flangeless



120V Recessed Flangeless Straight Mini-Joiner is used to mechanically and electrically couple any two lengths of track in a straight line. Not for use as feeder. Alignment bars with screws included.

Finish		
White	One Ckt Two Ckt	81311 82311

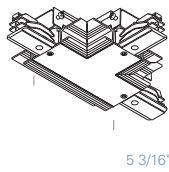
L Joiner/Feeder-Recessed Flangeless



120V Recessed Flangeless L Joiner/Feeder is used to mechanically and electrically couple any two lengths of track in an L right angle configuration. This L Joiner/Feeder can also be top fed directly from electrical cable to energize the track. Internal joiner wiring can be modified in the field.

Finish		
White	One Ckt Two Ckt	81305 82305

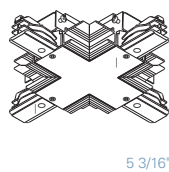
T Joiner/Feeder-Recessed Flangeless



120V Recessed Flangeless T Joiner/Feeder is used to mechanically and electrically couple any three lengths of track in a T configuration. This T Joiner/Feeder can also be top fed directly from electrical cable to energize the track. Internal Joiner wiring can be field modified. Note that in the one circuit version, a right or a left T must be ordered and must be used directly opposite each other when used in a configuration so that busbar continuity is maintained. For two circuit track, a left and right T is not necessary.

Finish		Left Joiner	Right Joiner
White	One Ckt Two Ckt	81306 82308	81307 82308

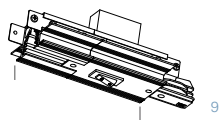
X Joiner/Feeder-Recessed Flangeless



120V Recessed Flangeless X Joiner/Feeder is used to mechanically and electrically couple any four lengths of track in an X configuration. This X Joiner/Feeder can also be top fed directly from electrical cable to energize the track. Internal joiner wiring can be modified in the field.

Finish		
White	One Ckt Two Ckt	81309 82309

Current Limiter

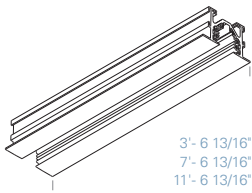


LSI Track Current Limiters integrate directly into single circuit runs, available in the following amperages: 3 AMP (360 Watts); 5 AMP (600 Watts); 8 AMP (960 Watts); 12 AMP (1440 Watts).

Finish	3 AMP	5 AMP	8 AMP	12 AMP
White	TCLR3W	TCLR5W	TCLR8W	TCLR12W

RECESSED FLANGED TRACK (120V) • COMPONENTS

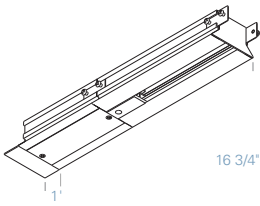
Track Sections-Recessed Flanged



120V Recessed Flanged Track Sections are open ended extrusions used to form track runs or configurations to be used in conjunction with an End Feed, End Cap, Straight Joiner/Feeder, Straight Mini Joiner, L Joiner/Feeder, T Joiner/Feeder, and X Joiner/Feeder. Track Section lengths are nominal 4 foot (1.2m), 8 foot (2.4m) and 12 foot (3.7m) and are supplied complete with galvanized perforated straps for mounting. Track is field cuttable.

Finish		Nominal Length		
		4 ft	8 ft	12 ft
White	One Ckt	91310	91320	91330
	Two Ckt	92310	92320	92330

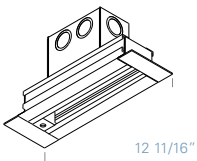
Security/Worklight Track Recessed Flanged



120V Recessed Flanged Security/Worklight Track is a separately fed one circuit Track Section, suitable for most LSI track fixtures, that integrates into any LSI Track run or configuration at any location. Consult fixture cutsheet. LSI fixtures (add suffix EF) mechanically lock into Security/Worklight Track by means of special hardware and do not have on/off switches.

Finish	All One Ckt		
	17" Joiner Section	17" End Feed Section	17" End Cap Section
White	91350	91351	91352

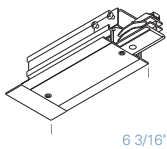
Unimount-Recessed Flanged



120V Recessed Flanged Unimount is a compact Recessed Track assembly which will accept most single LSI track fixtures up to 500 watts. Two piece construction allows for wiring and inspection.

Finish		
White	One Ckt	91361

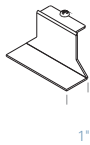
End Feed-Recessed Flanged



120V Recessed Flanged End Feed is used when track run is to be fed from the end of a run. The end feed is top fed directly from electrical cable to energize the track.

Finish		
White	One Ckt	91300
	Two Ckt	92300

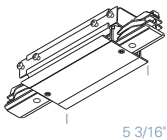
End Cap-Recessed Flanged



120V Recessed Flanged End Cap is used for mechanically ending any straight run, individual Track Section, or open configuration Track Section. End cap is insulated on inside only.

Finish		
White	One & Two Ckt	90303

Straight Joiner-Recessed Flanged

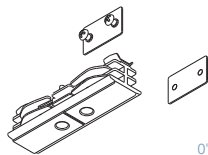


120V Recessed Flanged Straight Joiner/Feeder is used to mechanically and electrically couple any two lengths of track in a straight line. The Straight Joiner/Feeder is top fed directly from cable to energize the track. Internal joiner wiring can be modified in the field.

Finish		
White	One Ckt	91304
	Two Ckt	92304

RECESSED FLANGED TRACK (120V) • COMPONENTS

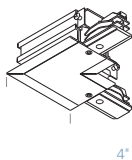
Straight Mini-Joiner-Recessed Flanged



120V Recessed Flanged Straight Mini-Joiner is used to mechanically and electrically couple any two lengths of track in a straight line. Not for use as feeder. Alignment bars with screws included.

Finish		
White	One Ckt Two Ckt	91311 92311

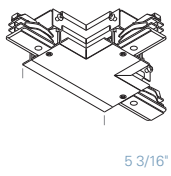
L Joiner/Feeder-Recessed Flanged



120V Recessed Flanged L Joiner/Feeder is used to mechanically and electrically couple any two lengths of track in an L right angle configuration. This L Joiner/Feeder can also be top fed directly from electrical cable to energize the track. Internal joiner wiring can be modified in the field.

Finish		
White	One Ckt Two Ckt	91305 92305

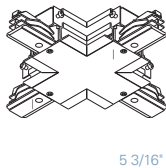
T Joiner/Feeder-Recessed Flanged



120V Recessed Flanged T Joiner/Feeder is used to mechanically and electrically couple any three lengths of track in a T configuration. This T Joiner/Feeder can also be top fed directly from electrical cable to energize the track. Internal Joiner wiring can be field modified. Note that in the one circuit version, a right or a left T must be ordered and must be used directly opposite each other when used in a configuration so that busbar continuity is maintained. For two circuit track, a left and right T is not necessary.

Finish	One Ckt Two Ckt	Left Joiner	Right Joiner
		91306 92308	91307 92308

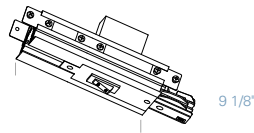
X Joiner/Feeder-Recessed Flanged



120V Recessed Flanged X Joiner/Feeder is used to mechanically and electrically couple any four lengths of track in an X configuration. This X Joiner/Feeder can also be top fed directly from electrical cable to energize the track. Internal joiner wiring can be modified in the field.

Finish		
White	One Ckt Two Ckt	91309 92309

Current Limiter

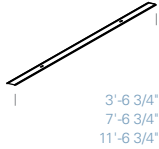


LSI Track Current Limiters integrate directly into single circuit runs, available in the following amperages: 3 AMP (360 Watts); 5 AMP (600 Watts); 8 AMP (960 Watts); 12 AMP (1440 Watts).

Finish	3 AMP	5 AMP	8 AMP	12 AMP
	White	TCLRF3W	TCLRF5W	TCLRF8W

RECESSED FLANGED TRACK (120V) • COMPONENTS

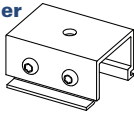
Raceway Cover



Field cuttable Raceway Covers are used to enclose additional lay-in circuit wiring in top section of track.

Finish	Nominal Length		
	4 Ft	8 Ft	12 Ft
Galvanized	30613	30614	30615

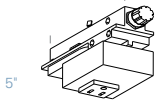
Recessed Flanged/ Flangeless Hanger Support Clip



Extruded Hanger Support Clip for LSI recessed flanged or flangeless track. In place of galvanized perforated straps use hanger support clip as alternate mounting method. For normal usage, LSI recommends two hanger support clips per 4 foot (1.2m) length, two hanger support clips per 8 foot (2.4m) length and three hanger support clips per 12 foot (3.7m) length. Two clips per package. 1/4" diameter hole.

Finish		
White	One & Two Ckt	90325

Power Receptacle Adapter



120/250V Power Receptacle Adapter provides a convenient switched and fused U-Ground receptacle for power and is rated at 5A-120V. ETL listed.

Finish		
Silver	One & Two Ckt	31160
Black	One & Two Ckt	31260
White	One & Two Ckt	31360

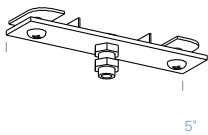
Display Hook



Display Hook is used to mechanically hang an item from the track without electrifying it. Do not exceed 20 lbs. at minimum spacing of two feet.

Finish		
Silver	One & Two Ckt	30761

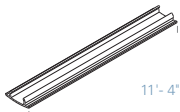
Weight Support Bar



Weight Support Bar provides threaded nipple and nuts to mount an item to track without electrifying it. Do not exceed 20 lbs. at minimum spacing of two feet. Nipple size 1/8-27 NPS (.406 diameter).

Finish		
Silver	One & Two Ckt	30762

Track Closure Cover



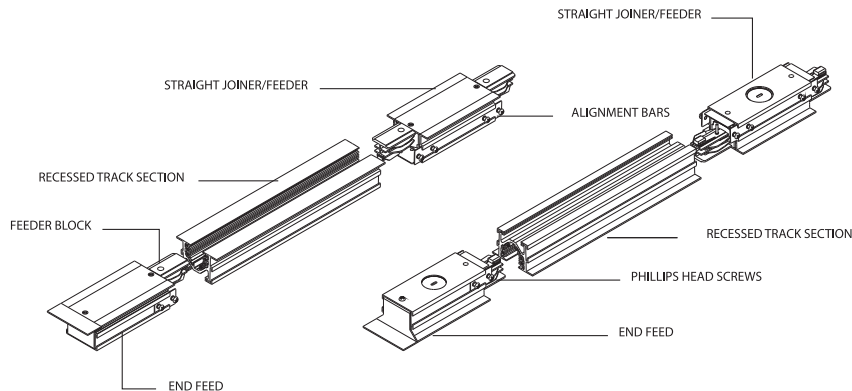
Field cuttable Noryl Track™ Closure Covers are used to enclose the open face of the track and simply snap into place.

Finish	Nominal Length
	12 Ft
Silver	30167
Black	30267
White	30367

RECESSED TRACK (120V) • INSTALLATION

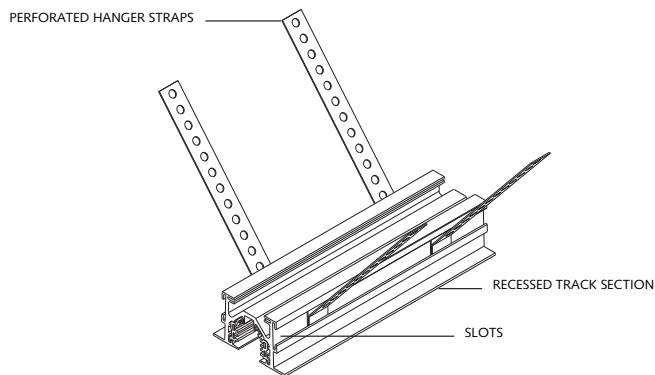
General Notes

When installing or using this track system, basic safety precautions should always be followed, including the following: Read all instructions. Do not install this track in damp or wet locations. Do not install any part of the track system less than five feet from floor. Do not install any fixture assembly closer than six inches from any curtain or similar combustible material. Disconnect electrical power before adding to or changing the configuration of the track. Check with a qualified electrician. Do not attempt to energize anything other than lighting track fixtures on the track. To reduce the risk of fire and electric shock, do not attempt to connect power tools, extension cords, appliances and the like to the track. Install per NEC and local codes. Save these instructions.



Assembling

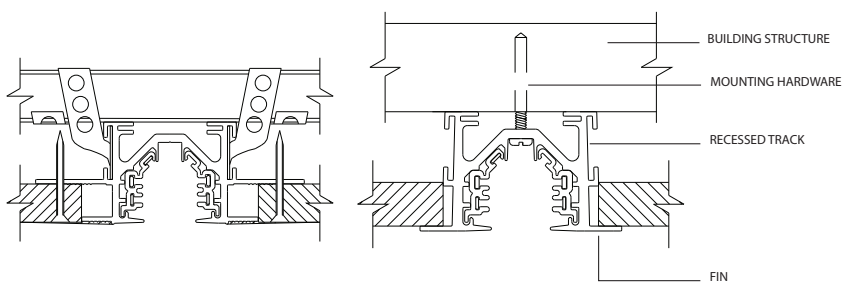
Insert End Feed or any other Joiner/Feeder completely into track section and tighten Phillips head screws on alignment bars which align with slots on both sides and top of track section. After alignment, tighten Phillips head screw of feeder block.



Mounting

Fasten track directly to ceiling structure with hanger straps or through field drilled holes and hardware (by others) capable of withstanding a 50 pound point load in any direction. Mount Track in compliance with NEC Lighting Track Article #410-101 (Installation), #410-104 (Fastening) and any other applicable codes. To prevent distortion of the track opening which may prevent insertion of fixture fittings do not over tighten mounting screws. Perforated hanger straps are located in slots along both sides of the track sections.

LSI recommends a minimum of two mounting points per section of track. LSI track can be mounted on centers up to 6'-0", but must have a minimum of two mounting points per track section.



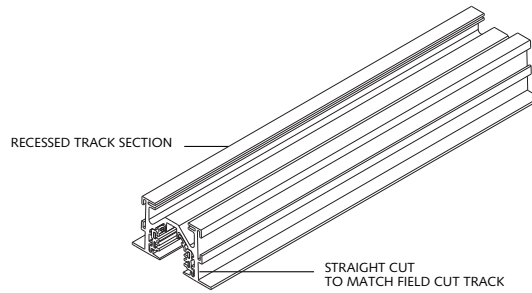
Ceiling Integration

Track sections are available Flanged for sheetrock and plaster ceilings. Flangeless sections are available with 5/8" (16mm) fin for sheetrock and plaster ceilings. Track should be mounted in such a way as to prevent vertical movement when installing or removing fixtures from the track. Refer to IS-0029 or IS-0030 for more details.

RECESSED TRACK (120V) • INSTALLATION

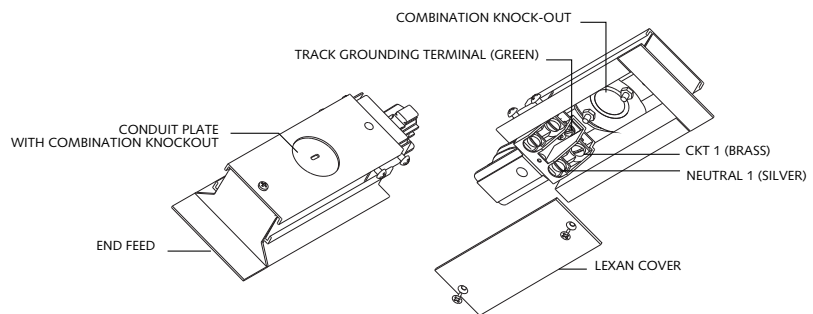
Field Cutting

All LSI Recessed track sections can be easily field cut using a sharp hacksaw or a chop saw with a non-ferrous blade such as an Oldham commercial carbide series metal blade. Cut the aluminum track with one straight cut to the desired length. Be sure to remove any burrs on the aluminum, copper and Noryl™ liner or this may affect the electrical and mechanical connection of components to track.



Electrical

Remove the Lexan™ cover from any End Feed or Joiner/Feeder, bring conductors through combination 1/2, 3/4 U.S. trade size knock-out (.875 diameter [22mm], 1.125 diameter [29mm]) in top of Joiner/Feeder conduit plate knock-out and attach conductors to identified terminals.

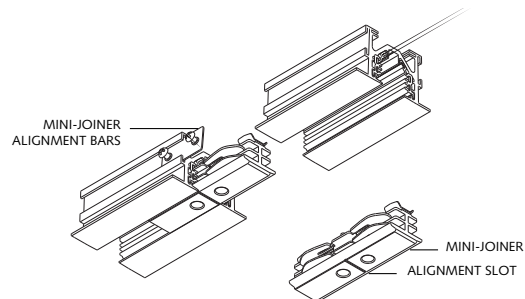


Additional Circuits

LSI Track has integral wiring channels for six additional #12 THHN wires to create three additional 20 amp circuits with separate neutrals. Raceway covers must be used in this application.

Straight Mini Joiner

The straight mini joiner is used to mechanically couple any two lengths of track in a straight line with a flush fit. Not for use as a feeder. There is an indicator line on face of mini-joiner to ensure proper engagement into each end of track. The two alignment bars with screws, included with the mini-joiner, must be inserted into the track section before joining sections. Tighten screws after alignment has been completed, don't overtighten.



Installing LSI Fixtures

To insert a fixture fitting into the track, the switch must be in the "off" position, with the handle open. Insert the fixture fitting straight up into the track until it seats evenly, close handle completely and switch on. If using one circuit track, make sure that the brass contacts which protrude from the side of the fixture fittings are inserted facing the copper busbars. If using two circuit track, inserting the fixture fitting in one direction will connect to circuit one. Removing and reversing the direction of the fitting will connect to circuit two.

