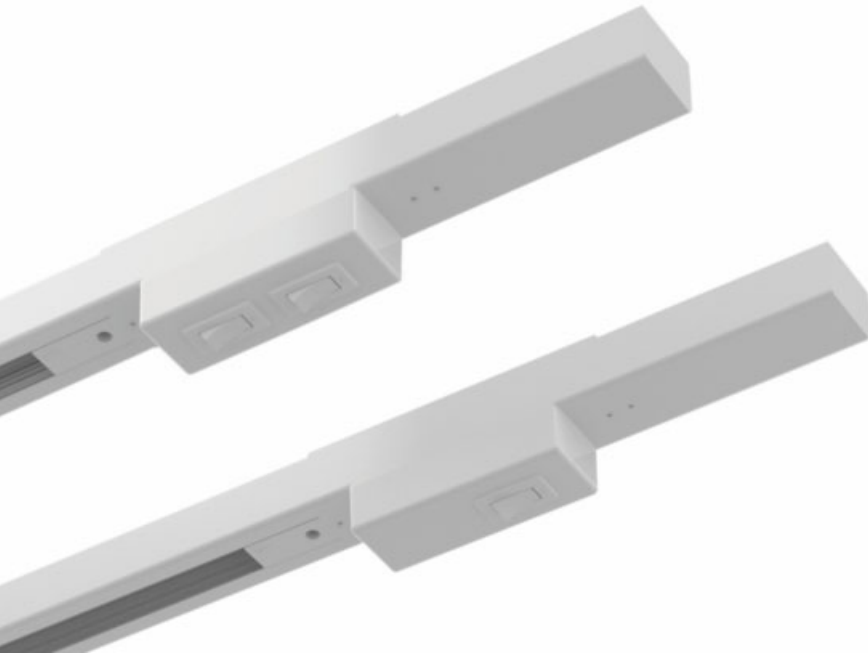


TRACK CURRENT LIMITER 120V

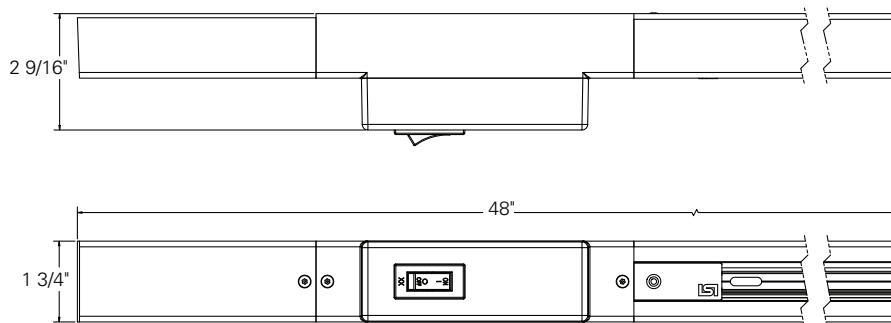


LSI Track Current Limiters are designed to address energy allowances on wattage per foot for line voltage track installations.

- Integrates directly into track runs using track joiners
- Available in amperages from 0.5 to 12. Other amperages available, consult factory
- Available in either 1 or 2 circuit
- California Energy Commission (CEC) approved
- Title 24 compliant
- Pre-wired using 12 gauge Teflon wire
- 48" overall length (includes end feed and 3' of surface track)
- Magnetic Circuit breaker rated at 120V 50/60 HZ (with red off indicator). Permanently marked with Amperage rating
- Injection molded cover
- Finishes: LSI Black, White and Silver

**TITLE
24
COMPLIANT**

Track Current Limiter (1 Circuit)



Track Current Limiter (2 Circuit)

